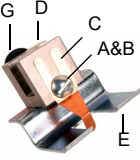


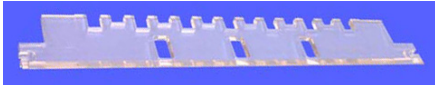





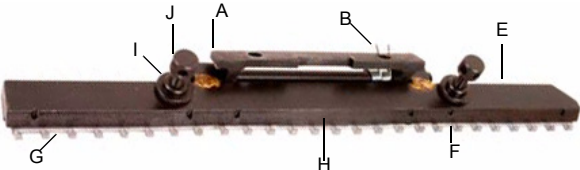






# Replacement parts for: CHIEF 15, 115, 215, 17, 117, 217, 20, 22, 25/25 PROF,

	PART #		PART #	
	<b>VARIABLE SPEED PULLEY</b> 15, 17 115, 215, 117, 217	P-1629 (Gestetner) G-63E P-1627 (Gestetner) G-17E		<b>LIFTING GEAR STUD</b> For feeder ratchet 15, 115, 215, 117, 217 4" wide w/wide shoulder P-4519 4" wide w/thin shoulder P-4542
	<b>V-BELTS</b> 15, 17 (Motor to pump) 37" 15, 17 (Clutch to motor) 44" 15 (Clutch to drive shaft) 36" 17 (Clutch to drive shaft) 38"	P-4906 (Gestetner) G-6C P-4912 P-4905 P-4907 (Gestetner) G-27E		<b>BLOWER TUBE BRACKET</b> P-15168 (Gestetner) G-119G,G-128G <b>*** Designed to fit both left and right hand sides.</b>
	<b>RUBBER SUCTION FOOT</b> - X-series & Super Chief 2000 <b>SUCKER FOOT (CUP)</b>	P-5225 P-5204		<b>UPPER PULLOUT FEED ROLLER</b> P-15125 (Gestetner) G-17H
	<b>SUCKER FOOT</b>	P-5201 (Gestetner) G-229G		<b>DOUBLE SHEET EJECTION ROLLER</b> P-15273 (Gestetner) G-19H
	<b>FLAT SUCKER FOOT</b>	P-1552		<b>PAPER RETAINER</b> Center P-15433 (Gestetner) G-11S
	<b>SUCKER TUBE HOLDER ASSEMBLY</b> New style 15, 17 (A) Holder (B) Retainer clip (C) Screw (D) Set screw	P-15259 (Gestetner) G-16G P-15166 P-15227 P-137 P-864		<b>CONVEYOR TAPE</b> All models Cloth P-3900 <b>Note: Tension can be adjusted by weights under conveyor.</b>
	<b>SHEET SEPARATOR</b> (A) 15, 17 (B) X-Series & Super Chief	P-15114 P-52114		<b>JOGGER SIDE GUIDE FEATHER SPRING</b> Non-operators side R.H. P-15477 (Gestetner) G-16T Operators side L.H. P-15471 (Gestetner) G-11T
	<b>SHEET SEPARATOR ASSEMBLY</b> Complete (A) Screw (B) Washer (C) Sheet separator (D) Block (E) Plate (F) Screw (not shown) (G) Thumb screw	P-50112 P-293 P-573 P-52114 P-50113 P-50121 P-215 P-1019		<b>COUNTER (no lever)</b> 15 P-36954 (Gestetner) G-20K 17 P-27954 <b>COUNTER ARM</b> P-15956 (Gestetner) G-19K
	<b>TIMING BELTS</b> For feeder on X-Series & Super Chief 2000. Also for Davidson 500, 700 3/4" wide X 22-1/2" long 3/8" wide X 15" long	P-1662 P-4965		<b>PAPER STOP</b> By impression cylinder P-15383
	<b>ELEVATOR HANDLE ASSEMBLY</b> Table raise X-Series & Super Chief 2000	P-50955		<b>ADJUSTING ARM</b> For paper stop P-15853
	<b>KNOB STUD</b> For chain delivery & feed table handwheel	P-4521		<b>PAPER STOP ARM ASSEMBLY</b> P-15399
	<b>FEEDER GUIDE</b> Operators side & non-operators side	P-15048		<b>FEELER FINGER</b> P-15141 (Gestetner) G-55R (Gestetner) G-OW142



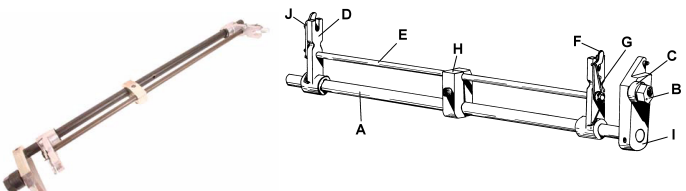


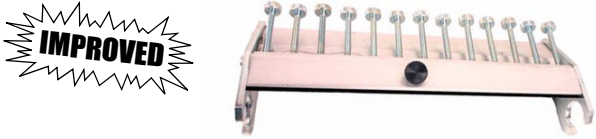
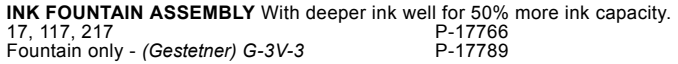


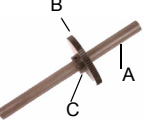




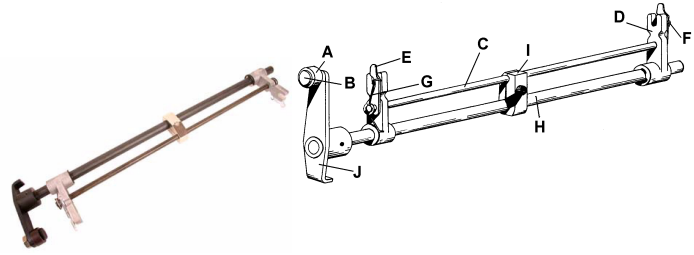
**THIS IS JUST A SAMPLE OF OUR TOTAL INVENTORY**

# 126, Super Chief 2000, X-Series • GESTETNER 115/117G, 211, 213, 311, 312, 313

PART #	
	
<b>PAPER DEFLECTOR</b> 15,17,115,117,215,217	P-15241 (Gestetner) G-52R
<b>PAPER DEFLECTOR X-Series, Super Chief</b>	P-255241
<b>SCREW</b>	P-44
	<b>GRIPPER LEVER ASSEMBLY</b> P-15207 (Gestetner) G-3M & G-E14AØ59
	<b>GRIPPER FINGER SUPPORT ASSEMBLY</b> P-15187
	<b>CLAMP LOCK</b> For plate cylinder P-115807
	
<b>RETAINING BAR</b> (20 point) Master cylinder 15N.S. & 17 O.S./N.S.	P-15746
	<b>TENSION GUIDE ARM SCREW</b> For plate cylinder P-11468
	
<b>TAIL CLAMP ASSEMBLY</b> - X-Series & Super Chief 2000	
Complete	P-255367
(A) Clamp bracket	P-255729
(B) Spring	P-255724
(C) Retaining ring (not shown)	P-669
(D) Shaft (not shown)	P-255793
(E) Pin bar clamp	P-255341
(F) Screw	P-836
(G) Pin bar (8 point)	P-255323
(H) Pin bar (10 point)	P-255739
(I) Thumb nut	P-11549
(J) Thumb screw	P-11498
	<b>DRIVE &amp; PUMP TOGGLE SWITCH</b> 15, 17 O.S. & N.S. P-15305
	<b>DRIVE &amp; PUMP ROCKER SWITCH</b> P-15826
	<b>RELAY</b> P-4833

PART #	
	<b>PLATE CYLINDER GEAR</b> 15, 17, (14-1/2° PA) P-15313 (Gestetner) G-3P 115, 117, 215, 217 (20° PA) P-115313
	<b>BLANKET CYLINDER GEAR</b> 15, 17 (14-1/2° PA) P-15214 (Gestetner) G-3N 115, 117, 215, 217 (20° PA) P-115214  115, 117, 215, 217 (20° PA) P-115191
	<b>SPRING ASSEMBLY</b> Impression cylinder arm 15, 17 X-Series & Super Chief 2000 Complete P-15205 Clip P-6088 Spring P-15213
	<b>DRIVE SHAFT</b> 15, 17 P-15583 115, 117, 215, 217 P-115583
	<b>INTERMEDIATE DRIVE GEAR</b> 15,17 (14-1/2° PA) P-15865 (Gestetner) G-64R P-15457 (Gestetner) G-E14H115,G-58L 115,117,215,217 (20° PA) P-115854
	<b>DRIVE GEAR</b> For X-Series P-255854
	<b>CLUTCH PULLEY REPAIR KIT</b> 15, 17, 115, 117, 215, 217 Complete P-15564 Pulley cover P-15617 (Gestetner) G-35E Shaft P-15614 (Gestetner) G-33E Weights (set of 4 only) P-12593 (Gestetner) G-37E V-Belt - 44" P-4912 V-Belt - 37" P-4906 (Gestetner) G-6C Spring P-15591 (Gestetner) G-36E Bearing (need 2) P-774 (Gestetner) G-3U Key P-550 (Gestetner) G-ØWØ62
	<b>WATER CAM ASSEMBLY</b> Complete P-15262 (Gestetner) G-170UA Cam P-15363 (Gestetner) G-9U, G-170U P-15268 (Gestetner) G-163U Paw spring P-15267 (Gestetner) G-LØØ4058 Ink pawl P-15355 (Gestetner) G-66V
	<b>WATER STOP</b> 15, 17, 115, 117, 215, 217 P-30379 X-Series & Super Chief 2000 1st. & 2nd. head (Uses 16) P-5096

# Replacement parts for: CHIEF 15, 115, 215, 17, 117, 217, 20, 22, 25/25 PROF,

PART #		PART #	
	<b>FRICITION BEARING</b> For water fountain roller 15, 17 P-5525 (Gestetner) G-157U		<b>WORM GEAR ASSEMBLY</b> Inker unit P-15446 (Gestetner) G-192V
			<b>INK IDLER GEAR</b> P-15455
			<b>OSCILLATING WORM</b> Ink & water P-15464 (Gestetner) G-134V
			<b>DOG</b> Ink P-15463 (Gestetner) G-138V
			
<b>WATER DUCTOR ASSEMBLY</b> - 15, 115, 215, 17, 117, 217 Complete (A) Shaft (B) Stud (C) Cam roller (D) Arm (E) Yoke shaft (F) Latch (G) L.H. Spring (H) Center pivot (I) Lever arm (J) R.H. Spring	P-15424 (Gestetner) G-443 P-15540 (Gestetner) G-161U-S P-4500 P-1450 P-15607 (Gestetner) G-21U2 P-15340 (Gestetner) G-2Ø42 P-15551 (Gestetner) G-60U, G-91V P-15336 (Gestetner) G-62U, G-93V P-15322 (Gestetner) G-161UP P-15344 (Gestetner) G-83VA P-15331 (Gestetner) G-61U, G-ØU56	<b>*** DESIGNED WITH REPLACEABLE END CAPS.</b> <b>INK FOUNTAIN ASSEMBLY</b> 15, 115, 215 - (Gestetner) G-E31H477 Fountain only - (Gestetner) G-70V	P-15071 P-15072
			<b>INK FOUNTAIN ASSEMBLY</b> With deeper ink well for 50% more ink capacity. 17, 117, 217 Fountain only - (Gestetner) G-3V-3
		<b>THUMB SCREW</b>	P-11474
			
<b>WASH UP BLADE</b> Black rubber 15 O.S. (11" X 11/16") Tan 15, 17, (11-3/8" X 1-1/2") 215, 217 (11 X 2-1/8") XL, Super Chief 1st. head (13-3/4" X 1-1/8") XL, Super Chief 2nd. head (13-3/4" X 2-1/16")	C-2167H-32 C-2171D-524 P-30309 P-30238 P-30217	<b>INK FOUNTAIN BLADE</b> 15, 115, 215 17, 117, 217 Bigger blade for deeper ink well.	P-15079 (Gestetner) G-73V P-17233 (Gestetner) G-11V2
		<b>Note:</b> * Due to the variations of ink fountains it may be necessary to file the side of the blade stamped "O" for a perfect fit.	
	<b>WATER FOUNTAIN SHAFT &amp; RATCHET</b> 15, 17 115, 117, 215, 217 (A) Shaft 15, 17 (A) Shaft 115, 117 215, 217 (B) Ratchet (C) Pin	P-15402 P-115402 P-15371 P-115371 P-15370 P-381	
	<b>SHAFT</b> For water form roller 15, 17, 115, 117, 215, 217	P-15378 (Gestetner) G-15ØU	
	<b>WATER DUCTOR LEVER SPRING</b> P-15549		
	<b>CAM ROLLER</b> Water oscillator arm P-5831 (Gestetner) G-129U		
	<b>TIMING BELT</b> 17, 117 (water) 215, 217 (second water head)	P-1660 (Gestetner) G-5R2 P-1654	
			
		<b>INK DUCTOR ASSEMBLY</b> Complete (A) Cam roller (B) Stud (C) Yoke shaft (D) Arm (E) Latch (F) R.H. Spring (G) L.H. Spring (H) Shaft (I) Center pivot (J) Lever arm	P-15690 P-1431 (Gestetner) G-85V P-8096 (Gestetner) G-86V P-15550 (Gestetner) G-89V P-15572 (Gestetner) G-F14V012 P-15551 (Gestetner) G-60U P-15331 (Gestetner) G-61U P-15336 (Gestetner) G-62U P-15332 P-15322 (Gestetner) G-161UP P-15334 (Gestetner) G-83VA

**THIS IS JUST A SAMPLE OF OUR TOTAL INVENTORY**

# 126, Super Chief 2000, X-Series • GESTETNER 115/117G, 211, 213, 311, 312, 313

PART #



**CONNECTING LINK BAR** For chain delivery  
15, 17, 115, 117, 215, 217

P-151596  
(Gestetner) G-120CP



**ARM EXTENSION ASSEMBLY** For chain pile delivery  
15, 17, 115, 117, 215, 217

P-151597



**DELIVERY ROLL GRIPPER**

P-15644  
(Gestetner) G-OW138  
(Gestetner) G-33Q



**BACK STOP STRIPPER** For chain delivery  
P-152280



**GRIPPER SUPPORT**

P-15586



**GRIPPER CHAINS** (set of 2)

15, 17, 115, 117, (Super Chief 2000 & X-Series 1st. head)

P-8945  
(Gestetner) G-548C3  
G-E1ØA323

215, 217, (X-Series & Super Chief 2nd. head)  
22

P-8949  
P-8969



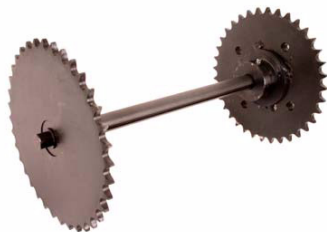
**CONNECTING LINK**

P-8700



**PICK UP CAM ASSEMBLY** To open gripper bars

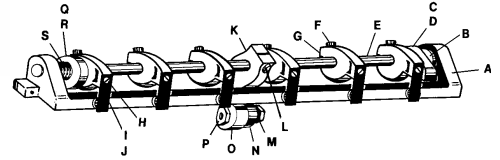
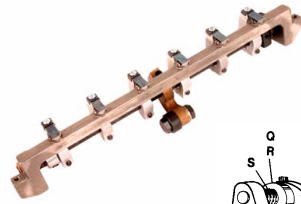
P-151240  
(Gestetner) G-511C3



**SPROCKET & SHAFT ASSEMBLY** Chain delivery  
15, 17, 115, 117, 215, 217

P-151160  
(Gestetner) G-113CP  
G-E1ØA157, G-E1ØA287

PART #



**GRIPPER BAR ASSEMBLY**

\*\*\* Anvil is made of reinforced cast zinc which prevents bowing and lasts longer.

- |   |                                   |
|---|-----------------------------------|
| Complete                                      | P-150990<br>(Gestetner) G-125CP   |
| (A) Anvil                                     | P-151090<br>(Gestetner) G-126CP   |
| (B) Retaining ring                            | P-670                             |
| ** Gripper shaft assembly (C) - (E)           | P-151010                          |
| (C) Stop block                                | P-151063                          |
| (D) Roll pin                                  | P-376                             |
| (E) Shaft                                     | P-151060                          |
| (F) Cap screw                                 | P-40                              |
| (G) Gripper holder                            | P-151061                          |
| (H) Screw                                     | P-187<br>(Gestetner) G-HS158      |
| (I) Hold down clip                            | P-151062<br>(Gestetner) G-HW307   |
| (J) Gripper finger                            | P-151020<br>(Gestetner) G-HW306   |
| ** Gripper operating lever assembly (K) - (P) | P-151040                          |
| (K) Gripper operating lever                   | P-151041<br>(Gestetner) G-E10A173 |
| (L) Cap screw                                 | P-39<br>(Gestetner) G-CS42U       |
| (M) Hex nut                                   | P-479<br>(Gestetner) G-L0HT051    |
| (N) Lock washer                               | P-627                             |
| (O) Cam roller                                | P-1424<br>(Gestetner) G-L0HW309   |
| (P) Shoulder screw                            | P-8037<br>(Gestetner) G-L0HS159   |
| (Q) Collar (comes with set screw)             | P-98137                           |
| (R) Set screw                                 | P-2                               |
| (S) Spring                                    | P-151080<br>(Gestetner) G-L0HU124 |

**GRIPPER BAR REPAIR KIT** - Super Chief 2000 & X-Series  
Consists of (B - D, F - P, Q, & S) P-30736



**REPAIR KITS**

**HAS YOUR PRESS EVER BEEN DOWN DUE TO A SIMPLE PIN OR SPRING?**  
YOU CAN ELIMINATE COSTLY DOWN TIME IN MINUTES WITH YOUR OWN EMERGENCY KIT DESIGNED TO CONVENIENTLY FIT IN YOUR DESK DRAWER.

EACH KIT COMES IN IT'S OWN MULTI-COMPARTMENT RECLOSABLE BOX FOR QUICK, EASY SELECTION AND STORAGE. PART NUMBERS FOR THE INDIVIDUAL ITEMS ARE ALSO INCLUDED INSIDE.

- |                   |                    |
|-------------------|--------------------|
| <b>MASTER KIT</b> | P-1765 - 880 pcs.  |
| <b>JUNIOR KIT</b> | P-31136 - 432 pcs. |
| <b>NUT KIT</b>    | P-1763 - 60 pcs.   |
| <b>WASHER KIT</b> | P-1764 - 68 pcs.   |
| <b>SCREW KIT</b>  | P-1760 - 376 Pcs.  |
| <b>RING KIT</b>   | P-1761 - 100 pcs.  |
| <b>PIN KIT</b>    | P-1762 - 180 pcs.  |
| <b>SPRING KIT</b> | P-30326 - 96 pcs.  |