

IMPORTANT GENERAL INFORMATION

THIS PARTS CATALOG FOLLOWS THIS ORDER:

* FEEDER SECTION * CONVEYOR UNIT * IMPRESSION CYLINDER ASSEMBLY * IMPRESSION MECHANISM & LINKAGE
* PRINTER LINKAGE * DRIVE PULLEYS * MASTER (PLATE) & BLANKET CYLINDERS * WATER UNIT - 1ST. HEAD * INK UNIT - 1ST. HEAD *
CHAIN PILE DELIVERY * CHAIN DELIVERY * CHAIN DELIVERY BASE.

PART NUMBERS ARE NORMALLY IDENTIFIABLE BY THE FIRST 2 OR 3 DIGITS FOLLOWING THE LETTER "P" OR "G".

EXAMPLE: P-15577 WOULD BE FOR A CHIEF 15 • P-17577 WOULD BE FOR A CHIEF 17 • P-115577 WOULD BE FOR A CHIEF 115, etc.,
HOWEVER, SOME PARTS MAY BE THE SAME FOR ALL OR SIMILAR MODEL PRESSES. PLEASE READ FULL DESCRIPTION BEFORE
ORDERING.

PARTS ARE SOLD SEPARATELY BUT YOU MUST HAVE PROPER TOOLS TO INSTALL.

ALL PARTS INCLUDED OR NEEDED FOR AN ASSEMBLY ARE INDENTED BENEATH THE PART DESCRIPTION.

EXAMPLE:

P-15853	ADJUSTING ARM ASSEMBLY
P-46	SCREW
P-469	NUT
P-4	SET SCREW

ORDER BY PART NUMBERS ONLY. **DO NOT** ORDER BY FIGURE OR INDEX OR KEY NUMBERS BECAUSE SOME **FIGURE** OR **KEY**
NUMBERS MAY HAVE MORE THAN ONE PART NUMBER DEPENDING ON THE MODEL PRESS.

ABBREVIATIONS:

- | | |
|----------------|-----------------------------------|
| 1. O.D. | = OUTSIDE DIAMETER |
| 2. I.D. | = INSIDE DIAMETER |
| 3. DIA. | = DIAMETER |
| 4. O.A.L. | = OVERALL LENGTH |
| 5. V. | = VOLT |
| 6. V.A.C. | = VOLT ALTERNATE CURRENT |
| 7. Hz. | = CYCLES PER SECOND |
| 8. S/N or S.N. | = SERIAL NUMBER |
| 9. O.S. | = OLD STYLE |
| 10. N.S. | = NEW STYLE |
| 11. L.H. | = LEFT HAND (OPERATORS SIDE) |
| 12. R.H. | = RIGHT HAND (NON-OPERATORS SIDE) |
| 13. P.A. | = PRESSURE ANGLE |
| 14. (xxT) | = NUMBER OF TEETH ON GEARS |

CHIEF ® IS A REGISTERED TRADEMARK OF THE ATF-DAVIDSON CO. INC.

GESTETNER ® IS A REGISTERED TRADEMARK OF GESTETNER INTERNATIONAL

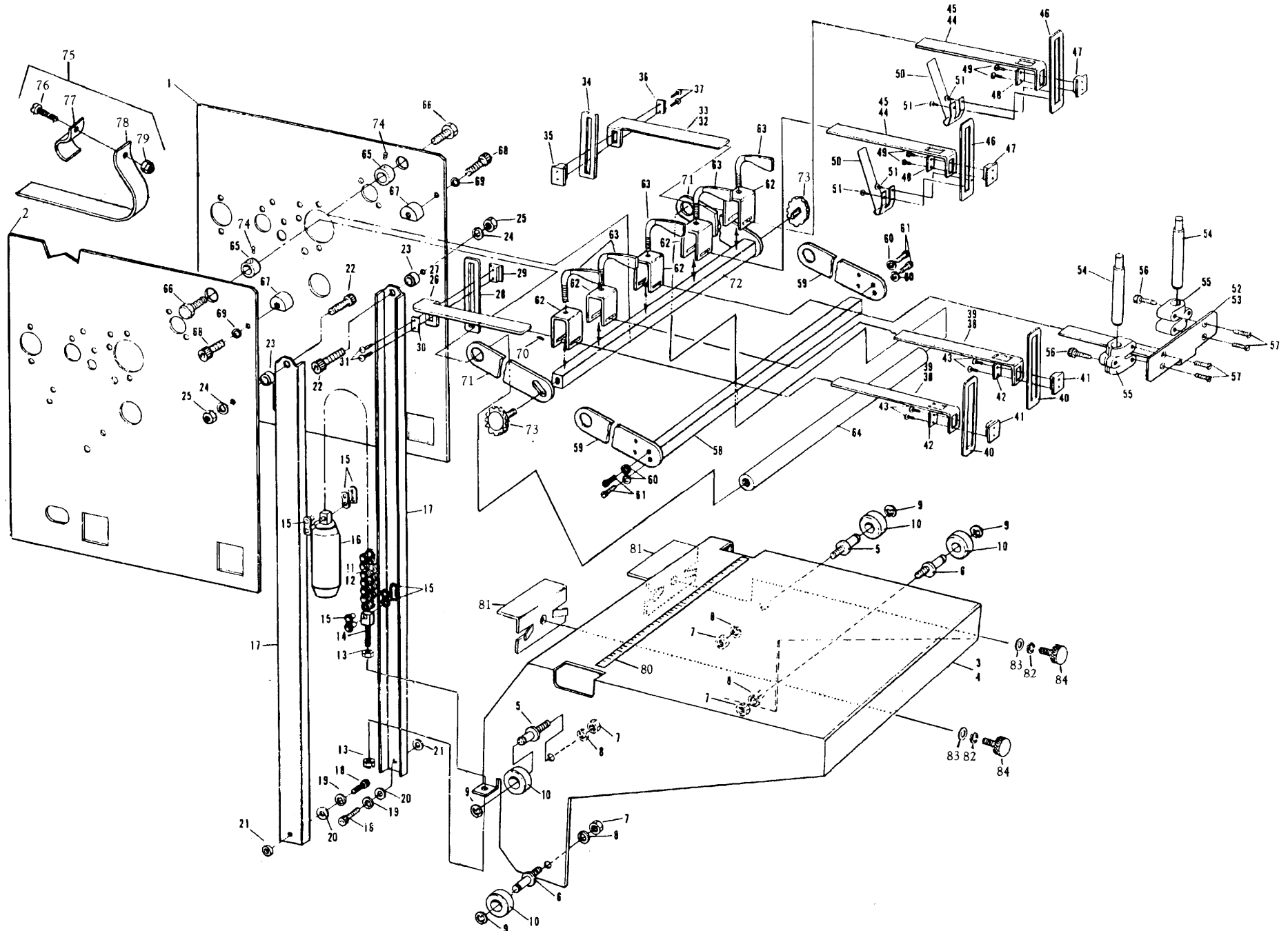
TABLE OF CONTENTS

DESCRIPTION • MODELS	DWG/PAGE
CONVEYOR	
CONVEYOR ASSEMBLY • ALL CHIEFS / GESTETNER 213, 311, 312, 313	11
CONVEYOR ASSEMBLY & JOGGER ADJUSTMENT • ALL CHIEFS / GESTETNER 213, 311, 312, 313	12
CYLINDERS	
BLANKET CYLINDER, 1ST UNIT • APACHE, SUPER CHIEF 2000, X-SERIES	22
IMPRESSION CYLINDER ASSEMBLY & PAPER STOP • ALL CHIEFS / GESTETNER 213, 311, 312, 313	13
MASTER (PLATE) & BLANKET CYLINDERS, 1ST UNIT • 15, 115, 215 / GESTETNER 115	19
MASTER (PLATE) & BLANKET CYLINDERS, 1ST UNIT • 17, 117, 217 / GESTETNER 117, 213, 313	20
MASTER (PLATE) CYLINDER, 1ST UNIT • APACHE, SUPER CHIEF 2000, X-SERIES	21
DELIVERY (C.D. only)	
CHAIN DELIVERY - 1 COLOR PRESSES • ALL CHIEFS / GESTETNER 213, 311, 312, 313	35
CHAIN DELIEVRY - 1 COLOR PRESSES • ALL CHIEFS / GESTETNER 213, 311, 312, 313 (continued)	36
CHAIN DELIVERY BASE EXTENSION • ALL CHIEFS / GESTETNER 213, 311, 312, 313	37
CHAIN PILE DELIVERY DRIVE • ALL CHIEFS / GESTETNER 213, 311, 312, 313	34
FEEDER	
BLOWER TUBES, PAPER GUIDES & DOUBLE SHEET DETECTOR • 15,115,215,17,117,217 / GESTETNER 213, 311, 312, 313	6
CONVEYOR DRIVE • APACHE, SUPER CHIEF 2000, X-SERIES	10
FEEDER - RIGHT HAND (NON-OPERATORS SIDE) • 15, 115, 215, 17, 117, 217 / GESTETNER 213, 311, 312, 313	7
FEEDER - RIGHT HAND (NON-OPERATORS SIDE) • APACHE, SUPER CHIEF 2000, X-SERIES	2
FEEDER - REAR • APACHE, SUPER CHIEF 2000, X-SERIES	3
FEEDER - LEFT HAND (OPERATORS SIDE) • 15, 115, 215, 17, 117, 217 / GESTETNER 213, 311, 312, 313	4
FEEDER - LEFT HAND (OPERATORS SIDE) • APACHE, SUPER CHIEF 2000, X-SERIES	9
FEEDER - TOP • APACHE, SUPER CHIEF 2000, X-SERIES	8
SUCKER FEED MECHANISM & TABLE RAISE CHAINS • 15, 115, 215, 17, 117, 217 / GESTETNER 213, 311, 312, 313	
TABLE, PAPER GUIDES & LIFT BAR • APACHE, SUPER CHIEF 2000, X-SERIES	1

TABLE OF CONTENTS

DESCRIPTION • MODELS	DWG/PAGE
SIDE PLATES & LINKAGE	
DRIVE SHAFT • ALL CHIEFS	16
DRIVE SHAFT • GESTETNER	17
IMPRESSION CYLINDER MECHANISM & LINKAGE • ALL CHIEFS / GESTETNER 213, 311, 312, 313	14
IMPRESSION CYLINDER MECHANISM & LINKAGE • ALL CHIEFS / GESTETNER 213, 311, 312, 313	14A
PRINTER LINKAGE, COUNTER, INK & WATER LEVER • ALL CHIEFS / GESTETNER 213, 311, 312, 313	15
PRINTER LINKAGE & DRIVE SHAFT & PULLEYS • ALL CHIEFS / GESTETNER 213, 311, 312, 313	16
PRINTER SIDE PLATE - RIGHT HAND • 15, 115, 215, 17, 117, 217 / GESTETNER 213, 311, 312, 313	17
PRINTER SIDE PLATE - RIGHT HAND • SUPER CHIEF 2000, X-SERIES	18
INK UNIT, 1ST HEAD	
INK UNIT & ROLLERS • 15, 115, 215, 17, 117, 217 / GESTETNER 212, 311, 312, 313	28
INK UNIT & ROLLERS • 15, 115, 215, 17, 117, 217 / GESTETNER 212, 311, 312, 313 (continued)	29
INK UNIT & ROLLERS • APACHE, SUPER CHIEF 2000, X-SERIES	31
INK UNIT & ROLLERS • APACHE, SUPER CHIEF 2000, X-SERIES (continued)	32
INK UNIT - LEFT HAND & RIGHT HAND • 15, 115, 215, 17, 117, 217 / GESTETNER 213, 311, 312, 313	29A
INK UNIT - LEFT HAND & RIGHT HAND • 15, 115, 215, 17, 117, 217 / GESTETNER 213, 311, 312, 313 (continued).....	29B
INK UNIT - LEFT HAND (OPERATORS SIDE) • APACHE, SUPER CHIEF 2000, X-SERIES	33
INK UNIT - RIGHT HAND (NON-OPERATORS SIDE) • APACHE, SUPER CHIEF 2000, X-SERIES	30
WATER UNIT, 1ST HEAD	
15, 115, 215, 17, 117, 217 / GESTETNER 213, 311, 312, 313	23
15, 115, 215, 17, 117, 217 / GESTETNER 213, 311, 312, 313 (continued)	24
15, 115, 215, 17, 117, 217 / GESTETNER 213, 311, 312, 313 (continued)	25
APACHE, SUPER CHIEF 2000, X-SERIES	26
APACHE, SUPER CHIEF 2000, X-SERIES (continued)	27

DRAWING #1
FEEDER, TABLE, PAPER GUIDES & LIFT BAR
APACHE, SUPERCHIEF 2000, X-SERIES



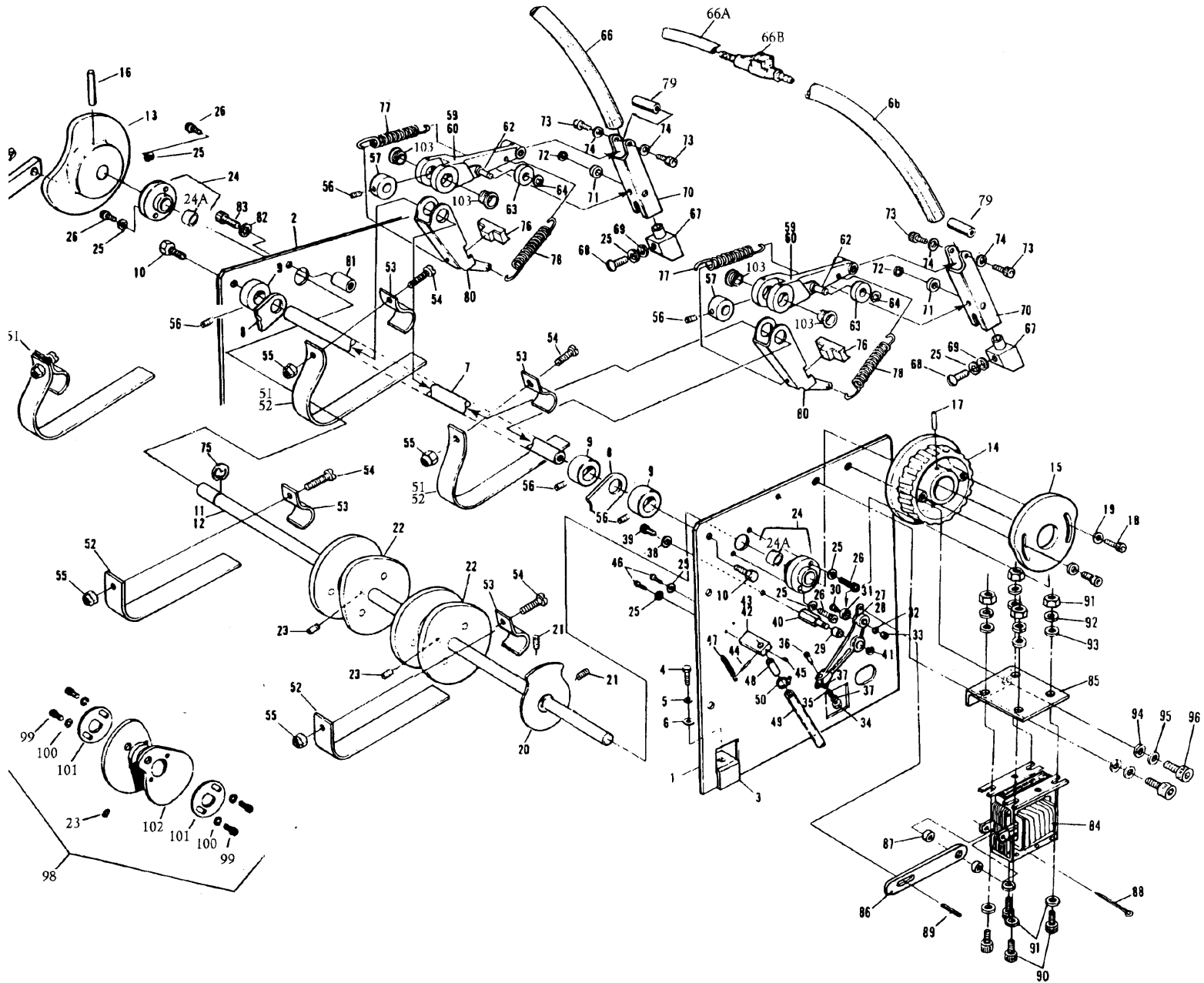
PAGE #1
FEEDER - TABLE, PAPER GUIDES & LIFT BAR
APACHE, SUPER CHIEF 2000, X-SERIES

KEY	PART	DESCRIPTION
1	P-255671	ASSEMBLY RH FEEDER FRAME
2	P-255546	ASSEMBLY LH FEEDER FRAME
3	P-255300	ASSEMBLY FEED TRAY
4	P-255301	FEED TRAY
5	P-7133	STUD
6	P-7132	ECCENTRIC STUD
7	P-1062	HEX NUT
8	P-629	LOCK WASHER
9	P-672	E RING
10	P-6959	CAM ROLLER
11	P-8943	ASSEMBLY CHAIN
12	P-8941	CHAIN ONLY
13	P-471	LOCK WASHER NUT
14	P-7135	CHAIN BOLT
15	P-4326	CHAIN LINK
16	P-36106	WEIGHT
17	P-52098	CHANNEL LH & RH
18	P-65	SCREW
19	P-645	WASHER
20	P-10915	WASHER, PLAIN
21	P-589	WASHER, PLAIN - BETWEEN CHANNEL AND FRAME
22	P-5423	SCREW
23	P-6977	SPACER - CAM
24	P-646	WASHER
25	P-10730	NUT, HEX
26	P-255218	ASSEMBLY LH SIDE GUIDE
27	P-255221	LH SIDE GUIDE
28	P-255625	PLATE ,PAPER GUIDE
29	P-255808	BEARING, PAPER GUIDE
30	P-255352	SPACER, PAPER GUIDE
31	P-135	SCREW
32	P-255089	ASSEMBLY RH SIDE GUIDE
33	P-255220	RH SIDE GUIDE
34	P-255625	PLATE,PAPER GUIDE
35	P-255808	BEARING, PAPER GUIDE
36	P-255352	SPACER, PAPER GUIDE
37	P-135	SCREW
38	P-255461	ASSEMBLY BACK PAPER GUIDE WITHOUT SPRING
39	P-255712	PAPER GUIDE FRONT
40	P-255625	PLATE, PAPER GUIDE
41	P-255808	BEARING, PAPER GUIDE
42	P-255352	SPACER, PAPER GUIDE
43	P-135	SCREW
44	P-255459	ASSEMBLY BACK PAPER GUIDE, SPRING
45	P-255712	PAPER GUIDE FRONT
46	P-255625	PLATE, PAPER GUIDE
47	P-255808	BEARING, PAPER GUIDE
48	P-255352	SPACER, PAPER GUIDE
49	P-135	SCREW
50	P-255356	SPRING
51	P-186	SCREW
52	P-255155	AUXILLIARY BLOWER ASSEMBLY
53	P-255156	TUBE HOLDER BRACKET
54	P-255158	BLOWER TUBE
55	P-52067	TUBE HOLDER
56	P-51	CAP SCREW
57	P-123	SCREW
58	P-255713	BAR, SIDE GUIDE RETAINER
59	P-255027	ARM, SIDE GUIDE PIVOT
60	P-644	WASHER

KEY	PART	DESCRIPTION
61	P-44	SCREW
62	P-51049	BRACKET, FEEDER SIDE GUIDE
63	P-11516	SCREW, THUMB
64	P-255764	SHAFT, MANIFOLD
65	P-5550	COLLAR
66	P-11614	SCREW, MANIFOLD TUBE
67	P-7700	STUD, FEEDER PIVOT ARM STOP
68	P-64	SCREW
69	P-645	WASHER
70	P-378	ROLL PIN
71	P-255706	SIDE PLATE
72	P-255716	TIE BAR ADJUSTING, NEW STYLE
73	P-11799	THUMB SCREW KNOB
74	P-2	SET SCREW
75	P-50403	STRAP ASSEMBLY-MOUNTS ON ITEM #64
76	P-157	SCREW
77	P-50473	CLIP
78	P-50420	STRAP
79	P-518	NUT
80	P-7432	DECAL - SCALE
81	P-255081	PAPER STOP SUPPORT
82	P-10915	WASHER
83	P-627	LOCK WASHER
84	P-1018	THUMB SCREW

"P-" NUMBERS MAY BE INTERCHANGEABLE FOR BOTH CHIEF & GESTETNER AS INDICATED IN THE DESCRIPTION.
"G-" NUMBERS ARE FOR GESTETNER ONLY.

DRAWING #2
FEEDER, RIGHT HAND (NON-OPERATORS SIDE)
APACHE, SUPERCHIEF 2000, X-SERIES



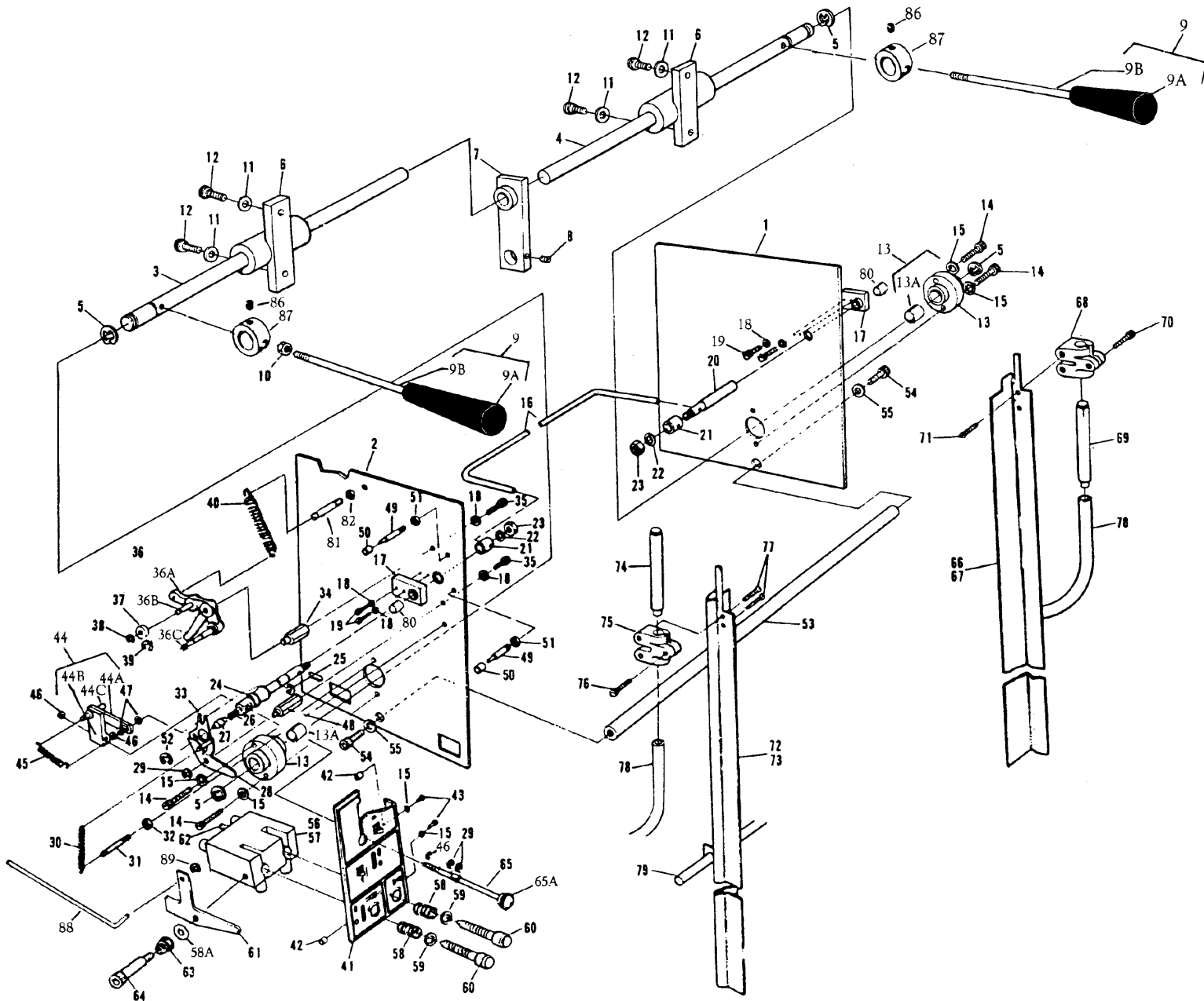
PAGE #2
FEEDER - RIGHT HAND (NON-OPERATORS SIDE)
APACHE, SUPER CHIEF 2000, X-SERIES

KEY	PART	DESCRIPTION
1	P-255671	ASSEMBLY RH FEEDER FRAME
2	P-255546	ASSEMBLY LH FEEDER FRAME
3	P-225932	BRACKET-MOUNTING
4	P-911	SCREW
5	P-646	WASHER
6	P-608	WASHER
7	P-255764	SPREADER BAR
8	P-255027	ARM - SIDE GUIDE PIVOT (SEE TABLE SECTION, ITEM #45)
8A	P-255706	SIDE PLATE
9	P-5550	COLLAR
10	P-11614	SCREW - MANIFOLD TUBE
11	P-255727	CAM & PULLEY ASSEMBLY
12	P-255723	SHAFT - SUCTION
13	P-52903	CAM ASSEMBLY - PAWL DRIVE (OPERATES ITEM #97, THIS PAGE & ATTACHES TO ITEM #43, PAGE 21)
14	P-5171	PULLEY - SUCTION
15	P-255077	CAM - VALVE
16	P-449	PIN - TAPER
17	P-442	PIN - TAPER
18	P-50	SCREW - CAP
19	P-566	WASHER, PLAIN
20	P-255742	CAM - DOUBLE SHEET ELIMINATOR
21	P-15	SET SCREW
22	P-255732	ASSEMBLY CAM
23	P-10401	SCREW - SET BRASS TIP
24	P-51870	HOUSING AND BUSHING
24A	P-1285	BUSHING ONLY
25	P-644	WASHER
26	P-46	SCREW
27	P-51073	ASSEMBLY ROCKER
28	P-51077	ROCKER ARM ONLY
29	P-5845	BUSHING
30	P-8127	ROCKER STUD
31	P-6951	CAM FOLLOWER
32	P-645	LOCK WASHER
33	P-1357	HEX NUT
34	P-5533	VALVE SHUT-OFF PLUG
35	P-15032	SPRING
36	P-1525	SHOULDER SCREW
37	P-651	WASHER - SPRING
38	P-628	WASHER
39	P-912	SCREW
40	P-4535	ROCKER STUD
41	P-672	E RING
42	P-51076	ASSEMBLY TUBE BRACKET
43	P-51115	TUBING BRACKET
44	P-3036	GROOVE PIN
45	P-8	SET SCREW
46	P-44	SCREW
47	P-50032	SPRING
48	P-5543	PIPE
49	P-5301	HOSE-VACUUM PUMP TO VALVE 35"
50	P-1160	CLAMP - HOSE
51	P-50403	INSIDE STRAP ASSEMBLY
52	P-50420	STRAP
53	P-50473	CLIP
54	P-157	SCREW
55	P-518	NUT-SELF LOCKING
56	P-10391	SCREW - SET
57	P-5550	COLLAR

KEY	PART	DESCRIPTION
58	P-668	E RING
58A	P-72259	ARM ASSY SUCTION FOOT COMPLETE
59	P-70131	ARM ASSEMBLY SUCTION FOOT
60	P-70132	ARM WITH PINS
62	P-7906	STUD
63	P-1427	CAM FOLLOWER
64	P-666	E RING
65	P-4310	BEARING NYLINER
66	P-5262	HOSE-VACCUUM LINE (CONNECTS TO ITEM #126, PAGE 18).
66A	P-5292	HOSE - 4" (CONNECTS TO ITEM #129, PAGE 4).
66B	P-6300	SHUT OFF VALVE
67	P-5225	SUCTION FOOT
68	P-209	SCREW
69	P-1199	WASHER - PLAIN
70	P-50166	ASSEMBLY ARM SUCTION FOOT
71	P-1427	CAM FOLLOWER
72	P-666	E RING
73	P-37	SCREW
74	P-624	WASHER - LOCK
75	P-673	E RING
76	P-52273	BEARING - LOCKING ARM
77	P-50032	SPRING (CONNECTS TO ITEM #70, AND ITEM #80)
78	P-50177	SPRING-EXTENSION (CONNECTS TO ITEM #80 AND ITEM #60)
79	P-5501	SLEEVE
80	P-52176	LOCKING ARM
81	P-7700	STOP (FEEDER)
82	P-645	LOCK WASHER
83	P-55	SCREW
84	P-4850	SOLENOID
85	P-72074	BRACKET
86	P-72077	LINK
87	P-6981	SPACER
88	P-3038	COTTER PIN
89	P-382	ROLL PIN
90	P-38	CAP SCREW
91	P-566	WASHER
92	P-624	LOCK WASHER
93	P-466	NUT
94	P-43	CAP SCREW
95	P-576	WASHER
96	P-625	LOCK WASHER
97	P-52899	LINK (OPERATES ITEM #13, THIS PAGE AND ITEM #43, PAGE 21)
98	P-255732	ASSEMBLY CAM COMPLETE
99	P-37	SCREW
100	P-625	LOCK WASHER
101	P-9907	ADJUSTING SIDE PLATE
102	P-255738	CAM ONLY

"P-" NUMBERS MAY BE INTERCHANGEABLE FOR BOTH CHIEF & GESTETNER AS INDICATED IN THE DESCRIPTION.
"G-" NUMBERS ARE FOR GESTETNER ONLY.

DRAWING #3
FEEDER, REAR
APACHE, SUPERCHIEF 2000, X-SERIES



PAGE #3
FEEDER - REAR
APACHE, SUPER CHIEF 2000, X-SERIES

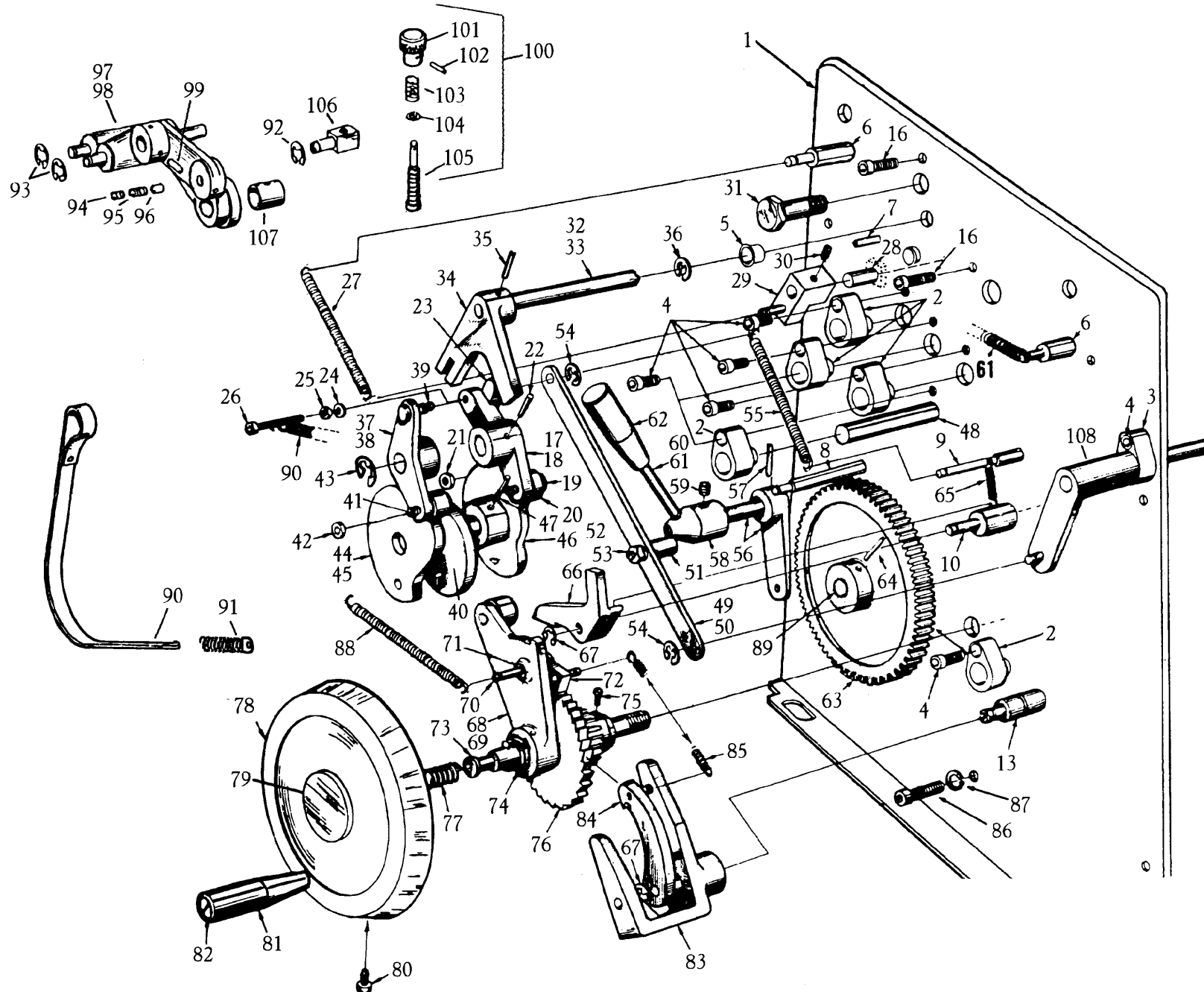
KEY	PART	DESCRIPTION
1	P-255671	FEEDER FRAME RH ASSEMBLY
2	P-255546	FEEDER FRAME LH ASSEMBLY
3	P-255119	CHANNEL LOCK ROD LH
3A	P-255074	SHAFT KIT, FOR COLLAR STYLE
4	P-255144	CHANNEL LOCK ROD RH
4A	P-255074	SHAFT KIT, FOR COLLAR STYLE
5	P-673	RETAINING RING
6	P-255124	CHANNEL BLOCK ASSEMBLY
7	P-255289	SUPPORT BRACKET (ATTACHES TO ITEM #53)
8	P-5	SET SCREW
9	P-255117	CHANNEL LOCK HANDLE ASSEMBLY
9A	P-1743	HANDLE
9B	P-9119	ROD
10	P-493	JAM NUT
11	P-625	LOCK WASHER
12	P-5427	SCREW
13	P-51870	HOUSING & BUSHING
13A	P-11257	BUSHING
14	P-46	CAP SCREW
15	P-644	LOCK WASHER
16	P-255093	SENSING BAR
17	P-51777	BLOCK & BUSHING ASSEMBLY
18	P-645	LOCK WASHER
19	P-55	CAP SCREW
20	P-51829	SENSING BAR SHAFT RH
21	P-6717	CLAMPING COLLAR
22	P-629	LOCK WASHER
23	P-506	NUT
24	P-51833	SENSING SHAFT
25	P-672	RETAINING RING
26	P-51460	COMPRESSION SPRING
27	P-4751	PLUNGER
28	P-50905	PILE CONTROL LEVER ASSEMBLY
29	P-668	RETAINING RING
30	P-50032	SPRING (CONNECTS TO ITEM #28 & #31)
31	P-6108	SPRING ANCHOR
32	P-469	NUT
33	P-50826	LATCH LINK
34	P-7903	ARM STUD
35	P-64	CAP SCREW
36	P-50757	CAM ARM (CONNECTS TO ITEM #44)
36A	P-50770	ARM & PINS
36B	P-4752	C-RING PIN
36C	P-4538	SPRING ANCHOR
37	P-1430	CAM FOLLOWER
38	P-668	RETAINING RING
39	P-670	RETAINING RING
40	P-50729	SPRING (CONNECTS TO ITEM #36 & #81)
41	P-255960	COVER PLATE ASSEMBLY
42	P-6952	SPACER (BETWEEN FRAME & ITEM #41)
43	P-141	BUTTON HEAD SCREW
44	P-50819	LINK ASSEMBLY (CONNECTS TO ITEM #36)
44A	P-50824	LINK
44B	P-50825	BLOCK
44C	P-7033	PIN
45	P-50711	SPRING
46	P-10747	RETAINING RING
47	P-10877	WASHER
48	P-4537	PILE CONTROL STUD
49	P-4536	STOP PIN

KEY	PART	DESCRIPTION
50	P-5679	BUMPER, HOSE
51	P-488	JAM NUT
52	P-1054	RETAINING RING
53	P-255561	TIE BAR
54	P-912	SCREW
55	P-647	LOCK WASHER
56	P-51847	AIR CONTROL ASSEMBLY
57	P-51844	AIR CONTROL BODY
58	P-50137	SPRING
58A	P-10918	WASHER
59	P-10984	SPACER
60	P-51841	BLEEDER SCREW
61	P-255845	SUCTION CONTROL LEVER - (CONNECTS TO PULL ROD, P-15078)
62	P-6001	SPRING ANCHOR
63	P-51951	COMPRESSION SPRING
64	P-8058	SHOULDER SCREW
65	P-51819	KNOB AND SHAFT ASSEMBLY
65A	P-11536	KNOB
66	P-255802	RH CHANNEL ASSEMBLY
67	P-52803	CHANNEL BRACKET RH ASSEMBLY
68	P-52067	BLOWER TUBE HOLDER
69	P-255158	BLOWER TUBE
70	P-51	CAP SCREW
71	P-123	SCREW
72	P-255811	LH CHANNEL ASSEMBLY
73	P-52813	CHANNEL BRACKET LH
74	P-255158	BLOWER TUBE
75	P-52067	BLOWER TUBE HOLDER
76	P-51	CAP SCREW
77	P-123	SCREW
78	P-5262	HOSE SIDE BLOWER
79	P-255880	SPREADER (FIGURE 2, ITEM #30)
80	P-1982	BUSHING
81	P-6110	SPRING ANCHOR
82	P-488	NUT
83	P-11662	SPRING WASHER
85	P-10748	E-RING
86	P-873	SET SCREW
87	P-11447	COLLAR
88	P-15078	PULL ROD
	P-255078	PULL ROD FOR 2000 SERIES
89	P-666	E-RING

"P-" NUMBERS MAY BE INTERCHANGEABLE FOR BOTH CHIEF & GESTETNER AS INDICATED IN THE DESCRIPTION.

"G-" NUMBERS ARE FOR GESTETNER ONLY.

DRAWING #4
FEEDER, LEFT HAND (OPERATORS SIDE)
CHIEF 15, 115, 215, 17, 117, 217 / GESTETNER 213, 311, 312, 313



PAGE #4
FEEDER - LEFT HAND (OPERATORS SIDE)
CHIEF 15, 15, 215, 17, 117, 217 / GESETENER 213, 311, 312, 313

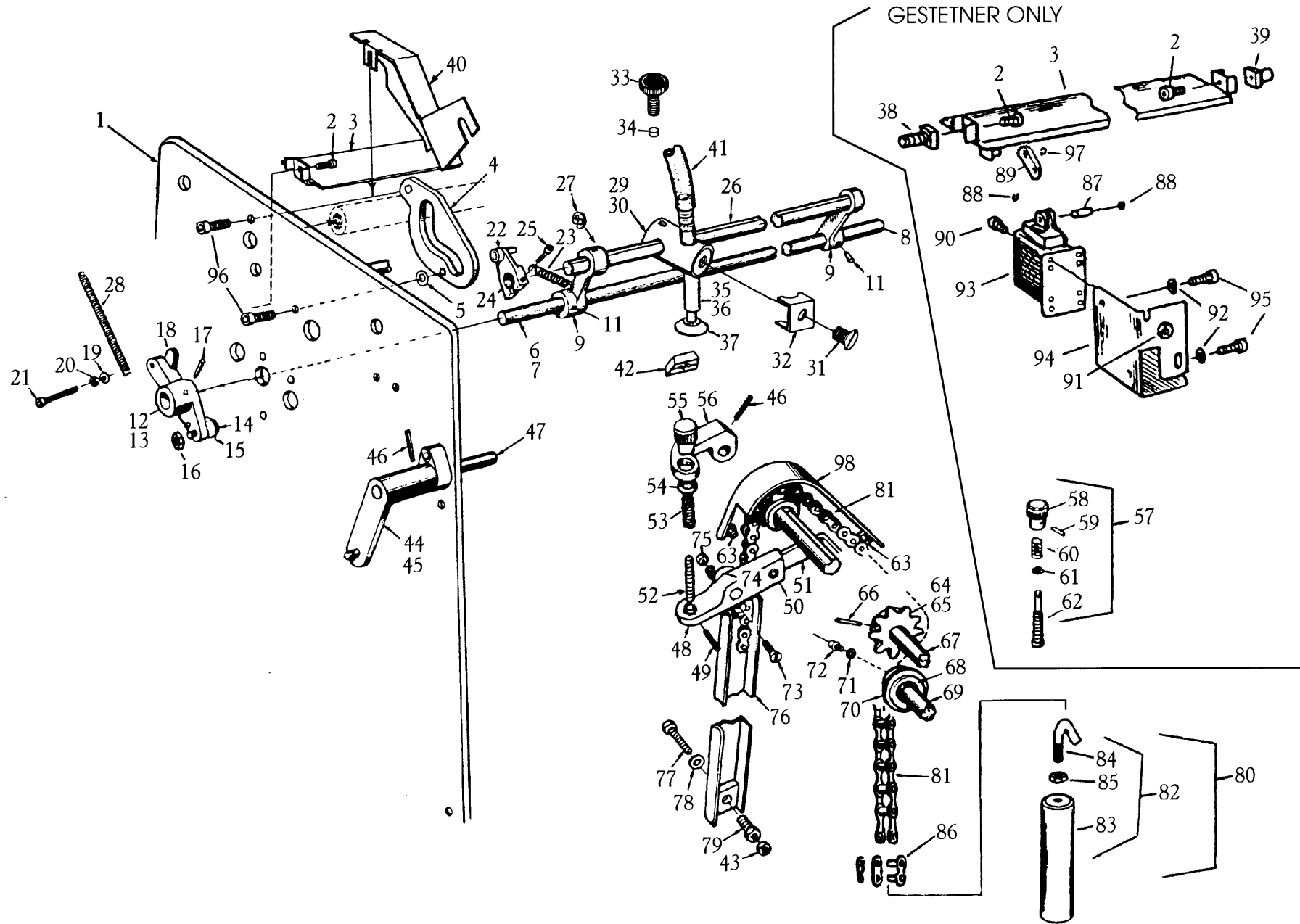
KEY	PART	DESCRIPTION
1	P-115639	SIDE FRAME, LEFT HAND
2	P-5467	FRAME BUSHING
3	P-5602	FRAME BUSHING ASSEMBLY (ONLY)
4	P-49	SCREW
5	P-1314	FLANGE BUSHING
6	P-6078	SPRING ANCHOR
7	P-393	PIVOT ARM STOP ROLL PIN
7A	P-382	ROLL PIN (213,311,312,313)
8	P-6104	LIFTING PLATE SPRING ANCHOR
8A	P-10669	SPRING ANCHOR (213,311,312,313)
9	P-6079	FEED VALVE LINK SPRING ANCHOR
10	P-7916	TRIP PAWL STUD
11	P-599	WASHER
12	P-490	NUT
13	P-9084	FEED BOARD RELEASE ARM STUD
14	P-634	WASHER
15	P-504	NUT
16	P-50	SCREW
	P-52	SCREW (213,311,312,313)
17	P-15852	OPERATING LEVER COMPLETE (ITEMS 18-21)
	G-15852	OPERATING LEVER (213,311,312,313)
18	P-15855	OPERATING LEVER
19	P-8103	LEVER STUD
20	P-1424	LEVER CAM
21	P-479	LEVER STUD NUT
22	P-445	OPERATING LEVER TAPER PIN (FOR REPAIRS USE NO. 18 DRILL & NO. 2 REAMER)
23	P-15977	DEFLECTOR RESET BLOCK
24	P-575	BLOCK WASHER
25	P-469	BLOCK NUT
26	P-48	SCREW FOR RESET BLOCK
	P-45	SCREW (213,311,312,313)
27	P-15148	DEFLECTOR L.H. PIVOT ARM SPRING
28	P-7115	PLATE PIVOT, LEFT HAND
	P-15815	PLATE PIVOT, R.H. (NOT SHOWN)
29	P-15083	L.H. PIVOT ARM ASS'Y. (INCLUDES ITEM 48)
	P-15802	L.H. PIVOT ARM ASS'Y. (213,311, 312,313) & O.S. CHIEF 15/17 SUCKER HOSE
30	P-1082	SET SCREW
31	P-11593	TOP SPINDLE BOLT, L.H.
	G-11593	TOP BOLT, LEFT HAND
32	P-15804	DEFLECTOR ARM ASSY ITEMS 35-33)
33	P-15808	DEFLECTOR ARM OPER. SHAFT
	G-15808	SHAFT
34	P-15814	SHAFT ARM
35	P-382	ROLL PIN
36	P-670	RETAINING RING
	P-671	RETAINING RING
37	P-15757	HEIGHT CONTROL ROCKER ARM ASSY. (ITEMS 38-42)
38	NO #	ROCKER ARM (not sold separately)
39	P-6080	ARM STUD
40	P-1424	SUCKER OPERATING LEVER CAM
41	P-8103	CAM STUD
42	P-479	CAM STUD NUT
43	P-677	RETAINING RING
44	P-15727	CAM SHAFT ASSY
	G-15727	CAM PLATE ASSEMBLY (213, 313)
45	P-15732	FEED BOARD HEIGHT CAM
46	P-15735	FEED SUCKER CAM
47	P-393	ROLL PIN
48	P-15723	CAM SHAFT SPINDLE
	G-15723	CAM SHAFT SPINDLE (213, 313)
49	P-15753	HEIGHT CONTROL CONNECTING LINK ASSY. (ITEMS 50-53)
50	P-15754	HEIGHT CONTROL CONN. LINK
51	P-4518	LINK TRIP PAWL STUD
52	P-627	WASHER
53	P-488	NUT

KEY	PART	DESCRIPTION
54	P-668	RETAINING RING
55	P-15729	ROCKER ARM SPRING
56	P-15708	FEEDER OPER. ARM & SHAFT ASSY.
57	P-350	SPIRAL PIN
58	P-15957	FEED OPERATING HANDLE COLLAR
59	P-26	SET SCREW
60	P-15060	FEED LEVER OPER. KNOB ASSY. (ITEMS 61-62)
61	P-15061	THREAD ROD
62	P-1743	KNOB
63	P-115452	FEEDBOARD LIFTING GEAR, 90T, 20PA
	P-15452	GEAR 90T, 14-1/2PA
64	P-405	ROLL PIN
65	P-15153	TRIP PAWL SPRING
66	P-15944	FEED BOARD TRIP PAWL
67	P-669	RETAINING RING
68	P-15973	FEED BOARD LIFTING GEAR & PLATE ASSY. (ITEMS 69-76) - 20° P.A.
	P-15973-ØS	FEED BOARD LIFTING GEAR & PLATE ASSY. (ITEMS 69-76) - 14-1/2° P.A.
69	P-15979	LIFTING PLATE ASSY. (ONLY) (INCLUDES ITEMS 84 THRU 86)
69	G-15967	LIFTING PLATE ASSY. (GESTETNER & CHIEF 15 O.S. ONLY)
70	P-4520	LIFTING PAWL STUD
71	P-666	RETAINING RING
72	P-15937	LIFTING PAWL ASSY. (ONLY)
73	P-4519	LIFTING GEAR STUD (NEW STYLE) - HAS 9/16" LONG SHOULDER.
	P-4542	LIFTING GEAR STUD (OLD STYLE) - HAS 1/8" LONG SHOULDER.
	P-9099	LIFTING GEAR STUD (FOR GESTETNER) DOES NOT COME WITH ITEM #68.
74	P-711	GEAR STUD RETAINING RING
75	P-6501	LIFTING GEAR SCREW
76	P-15984	LIFTING GEAR ASSY. (ONLY) 20° P.A. (INCLUDES RATCHET WHEEL & PIN)
	P-15974	LIFTING GEAR ASSY. (ONLY) 14-1/2° P.A.
	G-15974	LIFTING GEAR ASSY. (ONLY) DOES NOT COME WITH ITEM #68.
77	P-15840	HANDWHEEL SPRING
78	P-115955	HANDWHEEL ASSEMBLY (ONLY)
	P-15995	HANDWHEEL ASSEMBLY (ONLY) 15 O.S. & GESTETNER
79	P-7420	DECAL (INCLUDED IN ITEM 78)
80	P-15946	HANDWHEEL SCREW
81	P-15961	HANDWHEEL KNOB
82	P-4521	HANDWHEEL KNOB STUD
83	P-15969	FEED BOARD RELEASE LEVER
84	P-15943	FEED BOARD RELEASE PAWL ASSY. (ONLY)
85	P-15787	FEED BOARD PAWL SPRING
86	P-55	CAP SCREW
87	P-10915	WASHER
88	P-15033	FEED BOARD LIFTING PLATE SPRING - CONNECTS TO ITEMS #8 & #70.
89	P-15122	FEED BOARD LIFTING SHAFT (FOR REPAIRS)
90	G-15931	BRAKE
91	P-36300	SPRING
92	P-670	C-RING
93	P-672	C-RING
94	P-10031	SET SCREW - HOLLOW
95	P-11	SET SCREW
96	P-1072	PLUG
97	G-15777	CONNECTING ARM ASSEMBLY
98	G-15779	ARM
99	G-439	TAPER PIN
100	G-11540	THUMB NUT - COMPLETE
101	G-11541	THUMB NUT - HEIGHT CONTROL
102	P-375	ROLL PIN
103	P-12711	SPRING
104	P-10893	WASHER
105	G-11542	SHOULDER SCREW
106	G-11543	STUD
107	G-11544	STUD
108	P-15809	PAPER BAIL SWING ARM ASSY. SEE PAGE 5 FOR COMPLETE ASSY.

"P-" NUMBERS MAY BE INTERCHANGEABLE FOR BOTH CHIEF & GESTETNER AS INDICATED IN THE DESCRIPTION.

"G-" NUMBERS ARE FOR GESTETNER ONLY.

DRAWING #5
FEEDER, SUCKER FEED MECHANISM & TABLE RAISE CHAINS
CHIEF 15, 115, 215, 17, 117, 217 / GESTETNER 211, 213, 311, 312, 313



PAGE #5
FEEDER - SUCKER FEED MECHANISM & TABLE RAISE CHAINS
CHIEF 15, 115, 215, 17, 117, 217 / GESTETNER 115, 117, 211, 213, 311, 312, 313

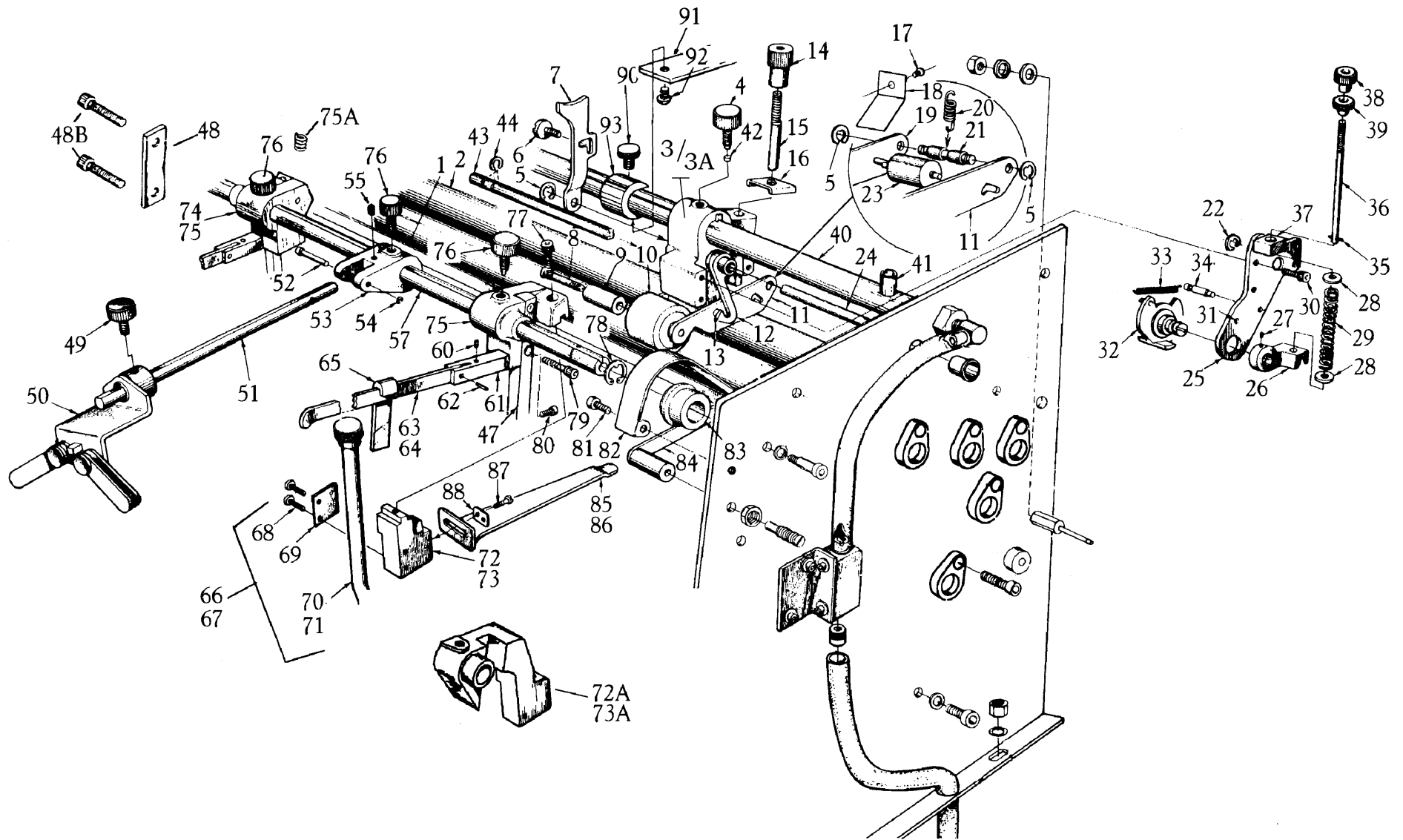
KEY	PART	DESCRIPTION
1	P-115639	SIDE FRAME, LEFT HAND
2	P-43	SCREW
3	P-15116	DEFLECTOR PLATE-FOR CHIEF & (GEST. 311, 312)
	G-15116	DEFLECTOR PLATE (213, 313)
4	P-15176	SUCKER GUIDE CAM
5	P-574	WASHER
6	P-15129	SUCKER OPERATING SHAFT ASSEMBLY (ITEMS 7-34 & 2 ea. ITEM 36)
7	P-15169	SUCKER OPERATING SHAFT SUB-ASSY. (ITEMS 8-11)
8	P-15508	SUCKER OPERATING SHAFT
9	P-15132	OPERATING SPINDLE ARM, LH & RH
11	P-1059	TAPER PIN, RH & LH (For repairs use No. #18 Drill 7 No. #2 Reamer)
12	P-15852	OPERATING LEVER COMPLETE (ITEMS 13-16)
	G-15852	OPERATING LEVER (213,311,312,313)
13	P-15855	OPERATING LEVER
14	P-8103	LEVER STUD
15	P-1424	LEVER CAM
16	P-479	LEVER STUD NUT
17	P-445	OPERATING LEVER TAPER PIN (For repairs use No. #18 Drill & No. #2 Reamer)
18	P-15977	DEFLECTOR RESET BLOCK
19	P-575	BLOCK WASHER
20	P-469	BLOCK NUT
21	P-48	SCREW FOR RESET BLOCK
22	P-15108	SPINDLE ROLLER ARM ASSEMBLY (15,115,215,17,117,217 / G-211)
	G-15108	ARM & BEARING ASSEMBLY (G-311,G-117,213,311,312,313)
23	P-38032	SPRING FOR G-15108
24	P-15	SET SCREW
25	P-51	ARM SCREW
	P-52	SCREW (213,311,312,313)
26	P-15127	FEED SUCKER HOLDER SHAFT
	G-15127	SUCKER HOLDER SHAFT (311,312,313)
27	P-671	RETAINING RING
28	P-15103	SUCKER OPERATING ARM SPRING
29	P-15259	SUCKER HOLDER ASSY (ITEMS 30-32)
30	P-15166	SUCKER HOLDER (REMOVABLE)
31	P-137	SCREW
32	P-15227	SUCKER RETAINER CLIP
33	P-11490	THUMB SCREW
34	P-1109	PLUG (NOT USED ON REMOVABLE NEW STYLE)
35	P-15964	2 COMPENSATING SUCKER TUBES, & 6 RUBBER FEET
36	P-15966	1 SUCKER TUBE ONLY
37	P-1552	RUBBER SUCKER FOOT
38	G-7115	PIVOT, L.H. (213,311,312,313)
39	G-7122	PIVOT, R.H. (213,311,312,313)
40	P-115106	CAM GUARD
41	P-5269	SUCKER HOSE
	P-5262	SUCKER HOSE (ALL GESTETNERS)
42	P-5201	RUBBER SUCKER FOOT (STANDARD)
43	P-477	NUT

KEY	PART	DESCRIPTION
44	P-15809	FEED BOARD SWING ARM ASSEMBLY (ITEMS 45-56)
45	P-15777	SWING ARM ASSEMBLY (15,115,215,17,117,217)
	G-15777	SWING ARM ASSEMBLY (G-311,G-117,211,213,311,313)
46	P-439	TAPER PIN (GESTETNER ONLY)
	P-382	ROLL PIN
47	G-151555	SHAFT (GESTETNER ONLY)
48	P-15833	HEIGHT CONTROL BAR UPPER PIVOT ARM
49	P-10447	ROLL PIN
50	P-10242	SCREW
51	P-15093	HEIGHT CONTROL BAR ASSY. ONLY
52	P-6081	HEIGHT CONTROL BAR ADJ. SCREW
53	P-15711	HEIGHT CONTROL ROCKER ARM SPRING
54	P-574	ROCKER ARM WASHER
55	P-11541	HEIGHT CONTROL THUMB NUT
56	P-15819	HEIGHT CONTROL LOWER PIVOT ARM
57	G-11540	THUMB NUT COMPLETE (G-311,G-117,213,313)
58	G-11541	THUMB NUT-HEIGHT CONTROL
59	P-375	ROLL PIN
60	P-12711	SPRING
61	P-10893	WASHER
62	G-11542	SHOULDER SCREW
63	P-49	CHAIN GUARD SCREW
64	P-15109	FEED BOARD LIFTING SHAFT ASSY. (ITEMS 65-67)
65	P-15117	LIFT SPROCKET (FOR REPAIRS USE 3/16" DRILL)
66	P-360	ROLL PIN (FOR REPAIRS USE 3/16" DRILL)
67	P-15122	FEED BOARD LIFTING SHAFT (FOR REPAIRS)
68	P-688	SHAFT RETAINING RING
69	P-15561	FEED BOARD LIFT CHAIN SHAFT
70	P-5115	LIFT CHAIN PULLEY ROLLER
71	P-10915	WASHER
72	P-57	SHAFT SCREW FOR ITEM #123
73	P-123	RUNNER ASSEMBLY SCREW
74	P-625	LOCK WASHER
75	P-473	NUT
76	P-15098	FEED BOARD RUNNER ASSY (ONLY)
77	P-58	CAP SCREW
78	P-10915	WASHER
79	P-7101	RUNNER BLOCK SCREW
80	P-15105	FEED BOARD LIFTING CHAIN ASSY. (ITEMS 81-85)
81	P-8902	FEED BOARD CHAIN
82	P-36106	COUNTERWEIGHT COMPLETE
83	P-36107	WEIGHT
84	P-1038	HOOK
85	P-473	NUT
86	P-1540	CONNECTING LINK
87	P-3012	C RING DOWEL PIN
88	P-10749	E RING FOR P-3012 PIN
89	G-7116	LINK (G-311,G117)
90	P-841	SCREW
91	P-460	NUT
92	P-1741	WASHER
93	P-9661	SOLENOID
94	G-15384	BRACKET
95	P-40	CAP SCREW
96	P-50	CAP SCREW
	P-52	CAP SCREW (213, 311, 312, 313)
97	P-10747	E RING - FOR ITEM #89 LINK
98	P-15584	FEED BOARD CHAIN GUARD, L.H.

"P-" NUMBERS MAY BE INTERCHANGEABLE FOR BOTH CHIEF & GESTETNER AS INDICATED IN THE DESCRIPTION.
"G-" NUMBERS ARE FOR GESTETNER ONLY.

DRAWING #6
FEEDER, BLOWER TUBES, PAPER GUIDES & DOUBLE SHEET DETECTOR
CHIEF 15, 115, 215, 17, 117, 217 / GESTETNER 213, 311, 312, 313

FOR ITEMS NOT NUMBERED SEE NEXT PAGE



PAGE #6
FEEDER - BLOWER TUBES, PAPER GUIDES & DOUBLE SHEET DETECTOR
CHIEF 15, 115, 215, 17, 117, 217 / GESTETNER 213, 311, 312, 313

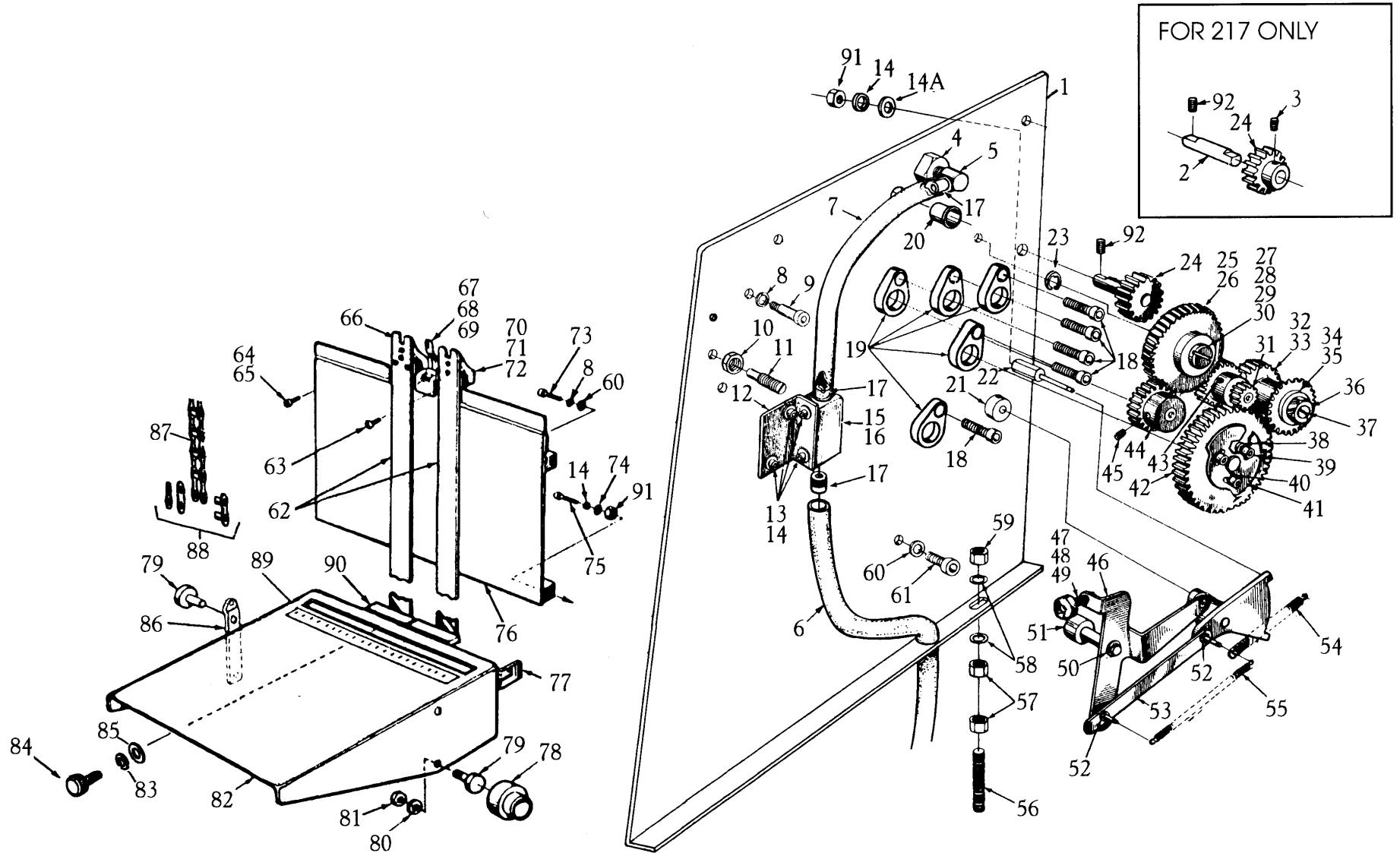
KEY	PART	DESCRIPTION
1	P-15161	FIRST FEED ROLLER
2	P-15159	SECOND FEED ROLLER
3	P-15517	MOUNTING BLOCK ASSEMBLY (ITEMS 3-39)
3A	P-15557	TWO SHEET MOUNTING BLOCK
4	P-1019	THUMB SCREW
5	P-668	RETAINING RING
6	P-8097	LATCH SHOULDER SCREW
7	P-15846	LATCH
8	P-15684	ROLLER SPINDLE SCREW
9	P-5532	ROLLER SPINDLE
10	P-15125	ROLLER & BUSHING ASSEMBLY (ONLY)
11	P-15568	ARM, RIGHT HAND
12	P-15539	HOOK ASSEMBLY (ONLY)
13	P-4524	PIVOT STUD
14	P-11539	THUMB NUT
15	P-6082	SPRING ANCHOR SHAFT
16	P-15842	SHAFT GUIDE
17	P-192	SPRING SCREW FOR SHAFT GUIDE
18	P-15386	LEAF SPRING
19	P-15569	ARM, LEFT HAND
20	P-12213	EXTENSION SPRING
21	P-4522	ARM STUD
22	P-667	RETAINING RING
23	P-15273	DOUBLE SHEET EJECTION ROLLER
24	P-15804	DEFLECTOR ARM ASSEMBLY (REF. ITEM #32, DWG. #4)
25	P-15525	ADJUSTER PLATE
26	P-15513	ADJUSTER ARM
27	P-4	SET SCREW
28	P-576	WASHER
29	P-15832	COMPRESSION SPRING
30	P-43	CAP SCREW
31	P-3030	STOP PIN
32	P-15567	TRIGGER PLATE (ONLY)
	G-15567	TRIGGER PLATE (GESTETNER) DOES NOT COME WITH ASSEMBLY P-15517.
33	P-12529	EXTENSION SPRING
34	P-6084	SPRING PIN
35	P-372	ROLL PIN
36	P-6093	ADJUSTER SHAFT
37	P-15553	ADJUSTER NUT BEARING STUD
38	P-1113	CHECK NUT
39	P-1112	ADJUSTER SPINDLE FINGER NUT
40	P-15635	MOUNTING BLOCK TOP SHAFT
41	P-5530	AIR PIPE CONNECTOR
42	P-1109	BRASS PLUG
43	P-15111	MOUNTING BLOCK BOTTOM SHAFT
	G-15111	BOTTOM SHAFT (311, 313)
44	P-687	BOTTOM SPINDLE RETAINING RING
47	P-15120	FEED BOARD GUIDE BAR, LH & RH
	G-15120	FEED BOARD GUIDE BAR, LH & RH (311,312,313)
48	P-15096	SPACER BLOCK (NOT SHOWN)
48A	P-15461	SLIDE SWIVEL BRACKET ASSEMBLY (ITEMS 49-55)
48B	P-1564	SCREW FOR ITEM #128 GUIDE BAR
49	P-1019	THUMB SCREW
	P-11495	THUMB SCREW (311,312,313)
50	P-15537	PAPER WING BRKT & BINDER ASSY
51	P-15712	SHAFT
	G-15712	SHAFT (312)
52	P-3068	SLIDE PIN
	P-382	ROLL PIN (311,312,313)
53	P-15696	SWIVEL BRACKET

KEY	PART	DESCRIPTION
54	P-661	RETAINING RING
55	P-18	SET SCREW
	P-37	SCREW (311,312,313)
57	P-15764	FEED BOARD LIFTING SHAFT
	G-15764	FEED BOARD LIFTING SHAFT
58	P-15087	SIDE FENCE ARM L.H. ASSY (ITEMS 60-62 & 64) (NOT SHOWN)
59	P-15090	SIDE FENCE ARM, R.H ASSY (ITEMS 60-63)
60	P-19	SET SCREW
	P-10088	CAP SCREW, 312
61	P-15089	PIVOT BLOCK
62	P-398	ROLL PIN
63	P-15099	ARM, R.H. (SHOWN)
64	P-15100	ARM, L.H.
65	P-15048	FEED BOARD SIDE FENCE
	G-15048	FEED BOARD SIDE FENCE
66	P-15143	FEED BOARD GUIDE BRACKETS ASSY,LH (ITEMS 68, 69, 70, 72, 74, 76, 77)
67	P-15137	FEED BOARD GUIDE BRACKETS ASSY,RH (ITEMS 68, 69, 71, 73, 75, 76, 77)
68	P-5402	SPRING SCREW
69	P-15066	BLOWER TUBE BRACKET SPRING
70	P-15158	BLOWER TUBE ASSY, L.H.
71	P-15156	BLOWER TUBE ASSY, R.H. (SHOWN)
72	P-15067	BLOWER TUBE BRACKET, L.H.
72A	G-15067	BLOWER TUBE BRACKET L.H. (COMPLETE ASSEMBLY)
73	P-15168	BLOWER TUBE BRACKET, R.H. SHOWN
73A	G-15168	BLOWER TUBE BRACKET, R.H. (COMPLETE ASSEMBLY)
74	P-15147	GUIDE BRACKET, L.H.
75	P-15149	GUIDE BRACKET, R.H.
75A	P-5600	INSERT (FOR REPAIRS ONLY)
76	P-1365	THUMB SCREW
77	P-51	SCREW
78	P-688	RET. RING - FEED BOARD LIFT SHAFT
79	P-6905	GUIDE BAR SCREW, R.H.
80	P-50	SIDE FENCE PIVOT BLOCK SCREW
81	P-49	CHAIN GUARD SCREW
82	P-15573	FEED BOARD CHAIN GUARD, R.H.
83	P-5115	LIFTING CHAIN PULLEY
84	P-15093	HEIGHT CONTROL BAR ASSY. (ONLY)
85	P-15107	TOP FEED GUIDE, R.H.
86	P-15106	TOP FEED GUIDE, L.H.
87	P-8106	GUIDE SCREW
88	P-15167	GUIDE SPRING
90	P-1025	THUMB SCREW (17,117,217)
91	P-17420	HOLD DOWN BAND (17,117,217)
92	P-202	MACHINE SCREW (17,117,217)
93	P-6714	HOLD DOWN BAND COLLAR (17,117,217)
94	P-9970	HUB NUT (213,311,312,313)

"P-" NUMBERS MAY BE INTERCHANGEABLE FOR BOTH CHIEF & GESTETNER AS INDICATED IN THE DESCRIPTION.

"G-" NUMBERS ARE FOR GESTETNER ONLY.

DRAWING #7
FEEDER, RIGHT HAND (NON-OPERATORS SIDE)
CHIEF 15, 115, 215, 17, 117, 217 / GESTETNER 213, 311, 312, 313



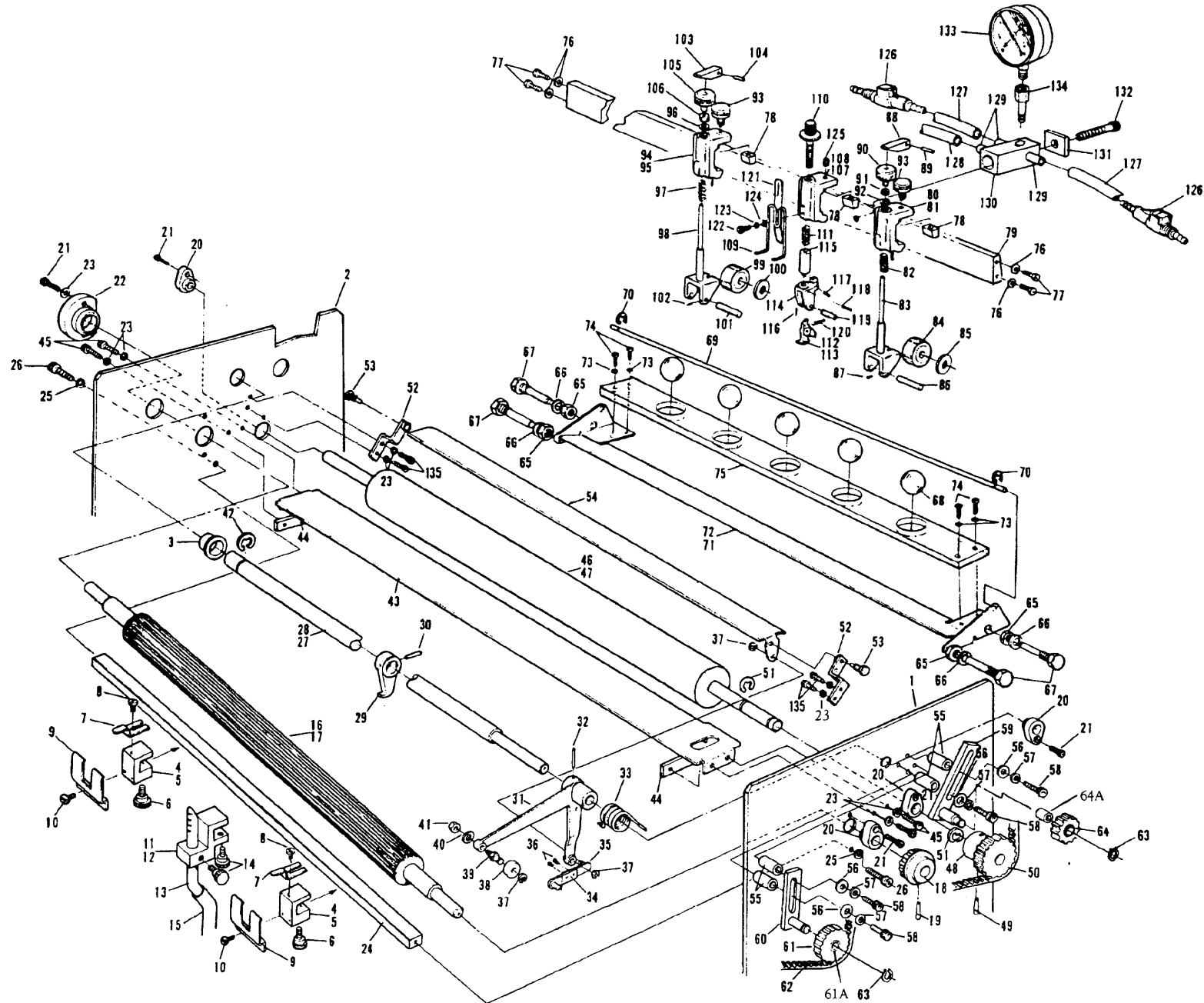
PAGE #7
FEEDER - RIGHT HAND (NON-OPERATORS SIDE)
CHIEF 15, 115, 215, 17, 117, 217 / GESTETNER 213, 311, 312, 313

KEY	PART	DESCRIPTION
1	P-115671	FEEDER SIDE FRAME, RIGHT HAND
2	P-7112	CONVEYOR DRIVE GEAR STUD (17,117,217)
3	P-15	SET SCREW
4	P-7111	SUCTION MANIFOLD COUPLING
5	P-7027	COUPLING ADAPTER
6	P-5260	HOSE-VACUUM VALVE TO SUCTION VALVE
7	P-5278	HOSE-SUCTION VALVE TO MANIFOLD
8	P-627	LOCK WASHER
9	P-73	SHOULDER SCREW
10	P-497	NUT
11	P-6505	PILOT SCREW
12	P-15649	SUCTION VALVE BRACKET
13	P-50	CAP SCREW
14	P-625	LOCK WASHER
14A	P-566	WASHER
15	P-15076	SUCTION VALVE ASSEMBLY
16	P-15115	SUCTION VALVE ONLY
17	P-5530	AIR PIPE CONNECTOR
18	P-49	SOCKET HEAD CAP SCREW
19	P-5467	FRAME BUSHING
20	P-1314	BUSHING
21	P-1442	SPACER
22	P-6079	TRIP PAWL SPRING ANCHOR
23	P-672	RETAINING RING FOR ITEM #67
24	P-115664	CONVEYOR DRIVE GEAR (25T, 20° P.A.) (15, 115, 215)
	P-115585	CONVEYOR DRIVE GEAR (22T, 20° P.A.) (17, 117, 217)
25	P-115522	GEAR ASSEMBLY WITH BUSHING (ONLY) (20° P.A., 215/217)
25	P-15522	GEAR ASSEMBLY (14-1/2° P.A., 15/17)
26	P-1237	BUSHING
27	P-9083	GEAR STUD BUSHING
28	P-8124	GEAR STUD WITH HEAD
29	P-599	WASHER
30	P-493	HEX NUT
31	P-115599	CAM SHAFT DRIVE PINION (25T & 12T, 20° P.A.)
32	P-115588	DRIVE GEAR ASSY. WITH BUSHING ONLY
33	P-1225	BUSHING
34	P-608	WASHER
35	P-602	WASHER
36	P-504	NUT
37	P-4523	DRIVE GEAR STUD
38	P-5534	SPACER
38	P-	SPACER
39	P-53	SCREW
39	P-905	SCREW (313)
40	P-10907	WASHER
41	P-15742	AIR VALVE OPERATING CAM
41	P-1794	CAM (ALL GESTETNERS)
42	P-115728	CAM SHAFT GEAR (63T, 20° P.A.) NEW STYLE
	P-15728	CAM SHAFT GEAR (63T, 14-1/2° P.A.) OLD STYLE
42A	P-396	ROLL PIN
42	G-115728	GEAR (ALL GESTETNERS)
43	P-19	SET SCREW
44	P-115580	FIRST FEED ROLL GEAR (25T, 20° P.A.) (15, 115, 215)
	P-115585	FIRST FEED ROLL GEAR (22T, 20° P.A.) (17, 117, 217)
45	P-14	SET SCREW (15, 115, 215)
	P-15	SET SCREW (17, 117, 217)
46	P-15073	SUCTION VALVE CONTROL ARM ASSY. (ONLY) (ITEMS 47-49)
47	P-8104	SHOULDER SCREW
48	P-5533	VALVE SHUT OFF
49	P-15032	COMPRESSION SPRING

KEY	PART	DESCRIPTION
50	P-670	RETAINING RING
51	P-9092	CONTROL ARM STUD
52	P-666	RETAINING RING
53	P-15077	REGULATOR CONNECTION LINK
54	P-15281	REGULATOR LEVER SPRING (CONNECTS TO #22 & END OF #32)
55	P-15279	AIR VALVE OPERATOR ARM SPRING
56	P-9123	ADJUSTING STUD
57	P-1062	NUT
58	P-608	WASHER
59	P-10730	NUT-SELF LOCK ELASTIC
60	P-10915	WASHER
61	P-55	CAP SCREW
62	P-15121	PAPER STOP ASSEMBLY (ONLY)
63	P-986	MACHINE SCREW
64	P-38	CAP SCREW (TOP) (TO HOLD ITEM #66)
65	P-891	CAP SCREW (BOTTOM) (TO HOLD ITEM #66)
66	P-15114	PAPER SEPARATOR (OR CAT WHISKER)
67	P-15128	FRONT CENTER BLOWER TUBE ASSEMBLY (ITEMS 68-69)
68	P-15134	FRONT CENTER BLOW TUBE ASSY ONLY
69	P-15164	FRONT CENTER BLOWER TUBE SPRING
70	P-15119	BACK PLATE SPRING
71	P-15113	PAPER STOP BACK PLATE
72	P-4525	BACK PLATE SPRING PLUNGER
73	P-59	CAP SCREW
74	P-574	WASHER
75	P-154	CAP SCREW
76	P-15086	PAPER STOP SUPPORT PLATE ASSY (TOP) (ONLY)
77	P-15124	PLATFORM STOP BRACKET
78	P-6932	LIFTING PLATE ROLLER
79	P-7113	FEED BOARD LIFTING STUD
80	P-10915	WASHER
81	P-477	NUT
82	P-15301	FEED BOARD
83	P-10915	WASHER
84	P-1018	THUMB SCREW
85	P-627	LOCK WASHER
86	P-15152	FEED BOARD LIFTING PLATE
87	P-8902	FEED BOARD CHAIN (SEE ITEM #81, DWG. #5)
88	P-1540	CONNECTING LINK
89	P-7432	FEED BOARD SCALE
90	P-15081	FEED BOARD SUPPORT ASSY. (ONLY)
91	P-473	NUT
92	P-18	SET SCREW

"P-" NUMBERS MAY BE INTERCHANGEABLE FOR BOTH CHIEF & GESTETNER AS INDICATED IN THE DESCRIPTION.
"G-" NUMBERS ARE FOR GESTETNER ONLY.

DRAWING #8
FEEDER, TOP
APACHE, SUPERCHIEF 2000, X-SERIES



PAGE #8
FEEDER - TOP
APACHE, SUPER CHIEF 2000, X-SERIES

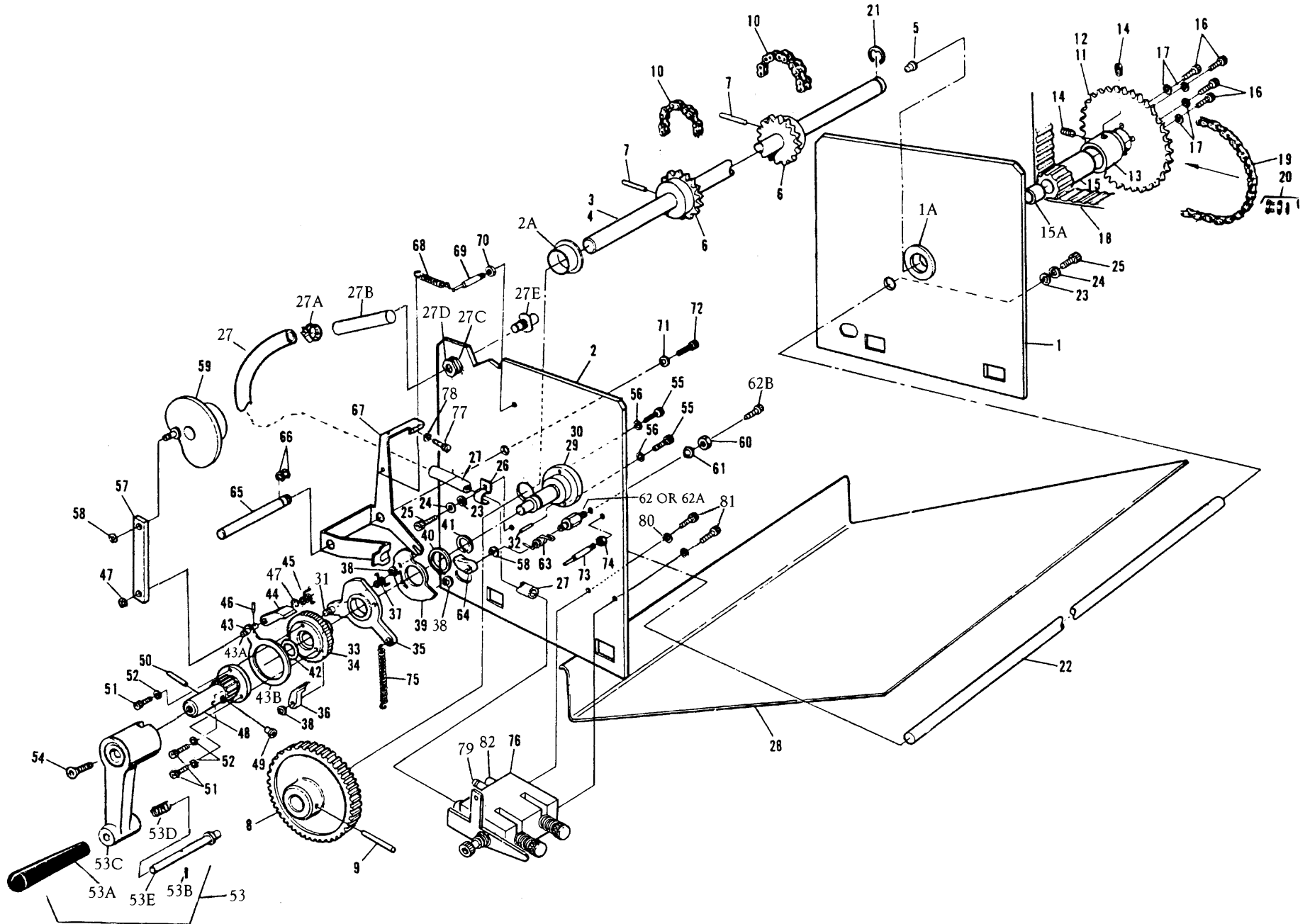
KEY	PART	DESCRIPTION
1	P-255671	FEEDER FRAME RIGHT HAND ASSEMBLY
2	P-255546	FEEDER FRAME LEFT HAND ASSEMBLY
3	P-1324	FLANGED BEARING
4	P-50112	SEPARATOR ASSEMBLY
5	P-50113	BODY BLOCK
6	P-1019	THUMB SCREW
7	P-52114	CAT WHISKER SHEET SEPARATOR
8	P-293	SCREW
9	P-50121	PLATE
10	P-215	MACHINE SCREW
11	P-50128	CENTER BLOWER TUBE ASSEMBLY
12	P-50164	BRACKET
13	P-50134	BLOWER TUBE
14	P-1019	THUMB SCREW
15	P-5278	CENTER BLOWER HOSE
16	P-255167	PULLOUT ROLLER ASSEMBLY
17	P-255161	PULLOUT ROLLER
18	P-5162	PULLEY
19	P-438	TAPER PIN
20	P-5467	BEARING
21	P-45	CAP SCREW
22	P-51175	BUSHING RETAINER ASSEMBLY
22A	P-1265	BUSHING
23	P-644	LOCK WASHER
24	P-255549	SPREADER & TIE BAR
25	P-645	LOCK WASHER
26	P-55	CAP SCREW
27	P-255517	LOCKING FOOT ASSEMBLY
28	P-255804	SENSING SHAFT
29	P-70539	LOCKING FOOT, ONLY
30	P-355	SPIRAL PIN
31	P-50805	LINK ARM
32	P-3052	SPIRAL PIN
33	P-50806	TORSION SPRING
34	P-50083	LINK FOR SCREWS
35	P-50802	LINK-SLOTTED
36	P-231	SCREW
37	P-698	RETAINING RING
38	P-1445	CAM FOLLOWER
39	P-7136	ECCENTRIC STUD
40	P-645	LOCK WASHER
41	P-479	NUT
42	P-673	RETAINING RING
43	P-255116	SPACER PLATE
44	P-9999	NUT PLATE
45	P-44	CAP SCREW
46	P-255157	ROLLER & PULLEY ASSEMBLY
47	P-255159	ROLLER
48	P-5166	PULLEY
49	P-437	TAPER PIN
50	P-4965	TIMING BELT (SEE ITEM #29, DWG. #10)
51	P-672	RETAINING RING
52	P-50815	BRACKET
53	P-6507	PIVOT SCREW
54	P-255801	PLATE
55	P-5504	SPACER
56	P-10915	WASHER
57	P-627	LOCK WASHER
58	P-910	CAP SCREW
59	P-50521	BRACKET
60	P-50561	BRACKET
61	P-5167	PULLEY & BUSHING ASSEMBLY
61A	P-1212	BUSHING
62	P-1662	TIMING BELT (SEE ITEM #18, DWG. #15)
63	P-670	RETAINING RING
64	P-5160	PULLEY & BUSHING ASSEMBLY
64A	P-1210	BUSHING
65	P-491	NUT
66	P-628	LOCK WASHER
67	P-6506	PIVOT PIN
68	P-761	MARBLE-GLASS
69	P-759	MARBLE-STEEL (OPTIONAL)
69	P-255386	MARBLE BRACKET SHAFT

KEY	PART	DESCRIPTION
70	P-724	RETAINING RING
71	P-255106	MARBLE BRACKET ASSEMBLY
72	P-255107	MARBLE BRACKET
73	P-644	LOCK WASHER
74	P-1871	SCREW
75	P-255113	MARBLE RETAINER
76	P-645	LOCK WASHER
77	P-64	CAP SCREW
78	P-50842	BLOCK
79	P-255059	SPREADER & TIE BAR
80	P-50516	RH UPPER PULLOUT ROLL ASSEMBLY
81	P-50557	PULLOUT ROLL BODY
81A	P-10619	GROOVE PIN
82	P-50213	COMPRESSION SPRING
83	P-50579	CLEVIS ASSEMBLY
84	P-51125	PULLOUT ROLL ASSEMBLY
85	P-11037	THRUST WASHER
86	P-337	DOWEL PIN
87	P-476	SET SCREW
88	P-50539	ACTUATOR
89	P-365	SPRING PIN
90	P-11560	KNOB ASSEMBLY
91	P-5594	WASHER
92	P-886	ADJUSTING SCREW
93	P-1030	KNOB
94	P-50511	LH UPPER PULLOUT ROLL ASSEMBLY
95	P-50557	PULLOUT ROLL BODY
95A	P-10619	GROOVE PIN
96	P-886	ADJUSTING SCREW
97	P-50213	COMPRESSION SPRING
98	P-50568	CLEVIS ASSEMBLY
99	P-51125	PULLOUT ROLL ASSEMBLY
100	P-11037	PLASTIC WASHER
101	P-337	DOWEL PIN
102	P-476	SET SCREW
103	P-50539	ACTUATOR
104	P-365	SPRING PIN
105	P-11560	KNOB ASSEMBLY
106	P-5594	WASHER
107	P-50517	DOUBLE SHEET ELIMINATOR ASSEMBLY
108	P-50558	BODY
109	P-50569	SENSING FOOT GUIDE
110	P-11791	KNOB ASSEMBLY
111	P-50835	COMPRESSION SPRING
112	P-50523	SENSING FOOT ASSEMBLY
113	P-50567	SENSING FOOT
114	P-50525	CLEVIS
115	P-7137	SPOOL
116	P-371	SPRING PIN
117	P-6054	GROOVE PIN
118	P-377	SPRING PIN
119	P-329	DOWEL PIN
120	P-50832	EXTENSION SPRING
121	P-50553	DETENT
122	P-135	SCREW
123	P-624	LOCK WASHER
124	P-566	WASHER
125	P-6508	SCREW
126	P-6300	SHUT OFF VALVE
127	P-5292	HOSE-VACUUM LINE 4"
127A	P-5262	HOSE VACUUM LINE 20" (2000 SERIES)
128	P-5294	HOSE-VACUUM LINE 9"
128A	P-52064	CONNECTOR & 3 NIPPLES
129	P-5530	AIR PIPE CONNECTOR
130	P-52065	SUCKER HOSE CONNECTOR
131	P-9909	CONNECTOR CAP
132	P-1846	CONNECTOR SCREW
133	P-5986	VACUUM GAUGE
134	P-11954	REDUCER
135	P-44	SCREW

"P-" NUMBERS MAY BE INTERCHANGEABLE FOR BOTH CHIEF & GESTETNER AS INDICATED IN THE DESCRIPTION.

"G-" NUMBERS ARE FOR GESTETNER ONLY.

DRAWING #9
FEEDER, LEFT HAND (OPERATORS SIDE)
APACHE, SUPERCHIEF 2000, X-SERIES



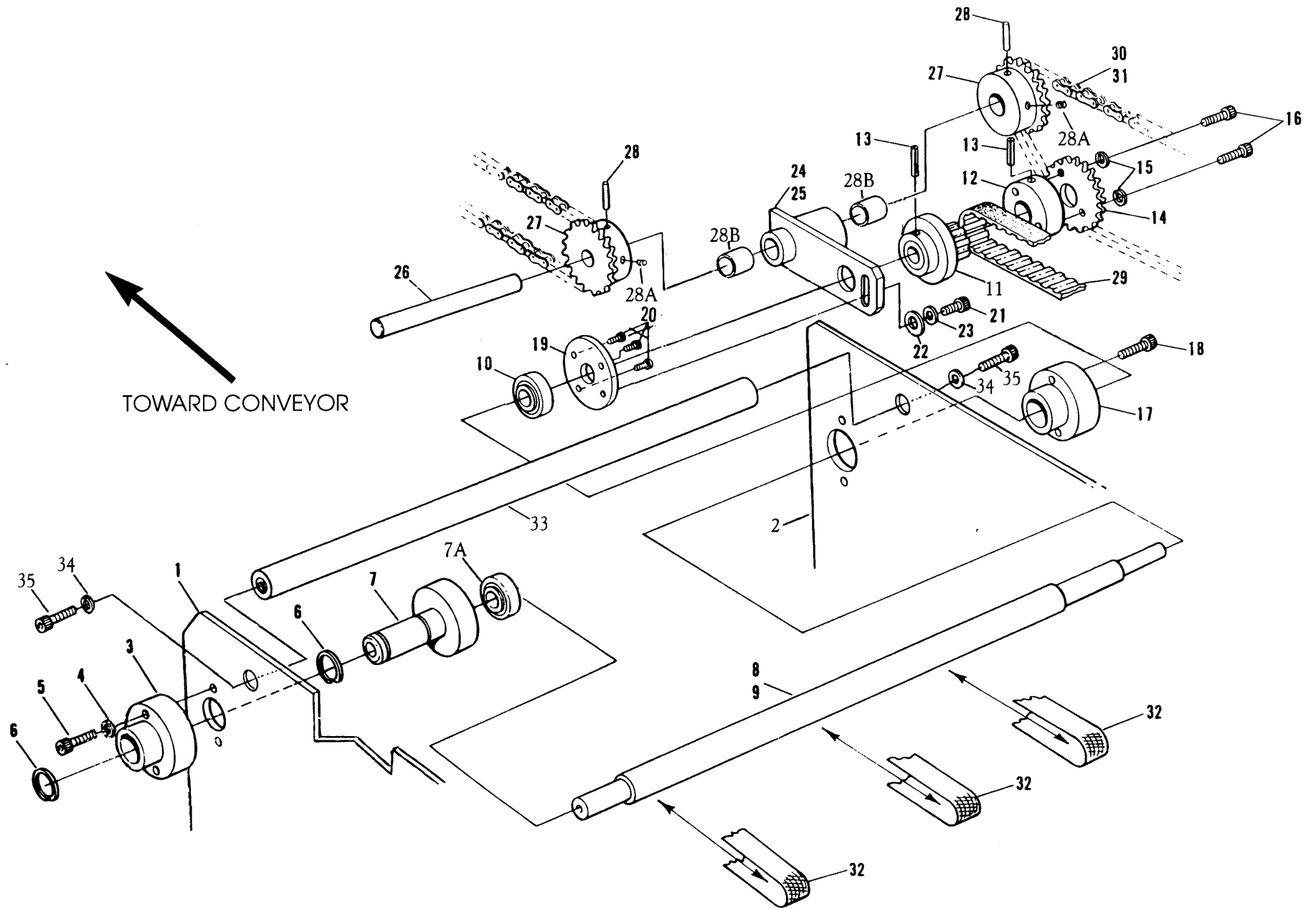
PAGE #9
FEEDER - LEFT HAND (OPERATORS SIDE)
APACHE, SUPER CHIEF 2000, X-SERIES

KEY	PART	DESCRIPTION
1	P-255671	ASSEMBLY FEEDER FRAME, RIGHT HAND
1A	P-11344	BUSHING
2	P-255546	ASSEMBLY FEEDER FRAME, LEFT HAND
2A	P-1328	BUSHING
3	P-255070	ASSEMBLY SPROCKET & SHAFT
4	P-255122	SHAFT ONLY
5	P-1977	COVER, OIL HOLE
6	P-50101	SPROCKET
7	P-316	SPIRAL PIN
8	P-50452	GEAR
9	P-1162	SPIRAL PIN
10	P-8941	CHAIN (FEEDER TABLE)
11	P-255728	ASSEMBLY FEEDER DRIVE SPROCKET - DRIVEN BY ITEM #116, DWG. #16)
12	P-8685	SPROCKET, FEED ONLY
13	P-255473	SPROCKET, HUB
14	P-18	SET SCREW
15	P-5165	PULLEY (INCLUDES ITEM #15A)
15A	P-1291	BUSHING
16	P-50	SCREW
17	P-625	LOCK WASHER
18	P-1662	TIMING BELT (SEE ITEM #62, DWG. #8)
19	P-8913	CHAIN (INCLUDES ITEM #20)
20	P-4320	CONNECTING LINK
21	P-708	RETAINING RING
22	P-255561	TIE BAR
23	P-647	WASHER
24	P-628	LOCK WASHER
25	P-69	SCREW
26	P-9599	HOSE CLAMP
27	P-5277	HOSE-VACUUM (CONNECTS TO
27A	P-1160	HOSE CLAMP
27B	P-52127	ADAPTER
27C	P-1834	NUT, HEX
27D	P-10969	WASHER
27E	P-52066	NIPPLE (CONNECTS TO
28	P-255800	TWO SHEET RECEIVING TRAY
28A	G-255800	TWO SHEET RECEIVING TRAY
29	P-52108	ASSEMBLY SHAFT, PINION, CAM & RATCHET (ITEMS #30 - #52)
30	P-52111	ASSEMBLY, PINION SHAFT
31	P-7154	PIN
32	P-3060	PIN GROOVE
33	P-52975	CAM & RATCHET ASSEMBLY
34	P-52973	RATCHET
35	P-52960	CAM ASSEMBLY INTERRUPTER
36	P-52786	PAWL
37	P-52787	TORSION SPRING
38	P-668	C-RING
39	P-52944	CAM PAWL RELEASE
40	P-10818	RETAINING RING
41	P-10816	RETAINING RING
42	P-708	RETAINING RING
43	P-52977	DRIVE PAWL ASSEMBLY
43A	P-7909	STUD
43B	P-52979	ROUND LINK ONLY
44	P-52786	DRIVE PAWL
45	P-52718	TORSION SPRING
46	P-365	ROLL PIN
47	P-668	C-RING
48	P-52974	ASSEMBLY PINION
49	P-1977	GITS OILER

KEY	PART	DESCRIPTION
50	P-413	ROLL PIN
51	P-38	CAP SCREW
52	P-643	LOCK WASHER
53	P-50955	ASSEMBLY HANDLE
53A	P-50961	HANDLE ONLY
53B	P-374	PIN
53C	P-50957	BODY ONLY
53D	P-50959	SPRING
53E	P-50962	STOP PIN
54	P-129	SCREW
55	P-46	SCREW
56	P-644	LOCK WASHER
57	P-52899	LINK
59	P-52903	CAM ASSEMBLY PAWL DRIVE
60	P-1357	NUT
61	P-645	LOCK WASHER
62	P-7130	ECCENTRIC STUD
62A	P-7139	STUD FOR SCREW TYPE
62B	P-64	SCREW
63	P-52660	TORSION SPRING
64	P-52786	PAWL
65	P-7910	STUD-PAWL RELEASE HANDLE
66	P-674	C-RING
67	P-52969	ASSEMBLY HANDLE PAWL RELEASE
68	P-50032	SPRING
69	P-6110	SPRING ANCHOR
70	P-488	HEX NUT
71	P-629	LOCK WASHER
72	P-71	SCREW
73	P-4755	SPRING ANCHOR
74	P-469	HEX NUT
75	P-50965	SPRING
76	P-51844	ASSEMBLY AIR CONTROL (SEE ITEM #56, DWG. #3)
77	P-5474	SCREW
78	P-469	NUT
79	P-6001	SPRING ANCHOR
80	P-645	LOCK WASHER
81	P-55	SCREW
82	P-5545	INSERT

"P-" NUMBERS MAY BE INTERCHANGEABLE FOR BOTH CHIEF & GESTETNER AS INDICATED IN THE DESCRIPTION.
"G-" NUMBERS ARE FOR GESTETNER ONLY.

DRAWING #10
FEEDER, CONVEYOR DRIVE
APACHE, SUPERCHIEF 2000, X-SERIES



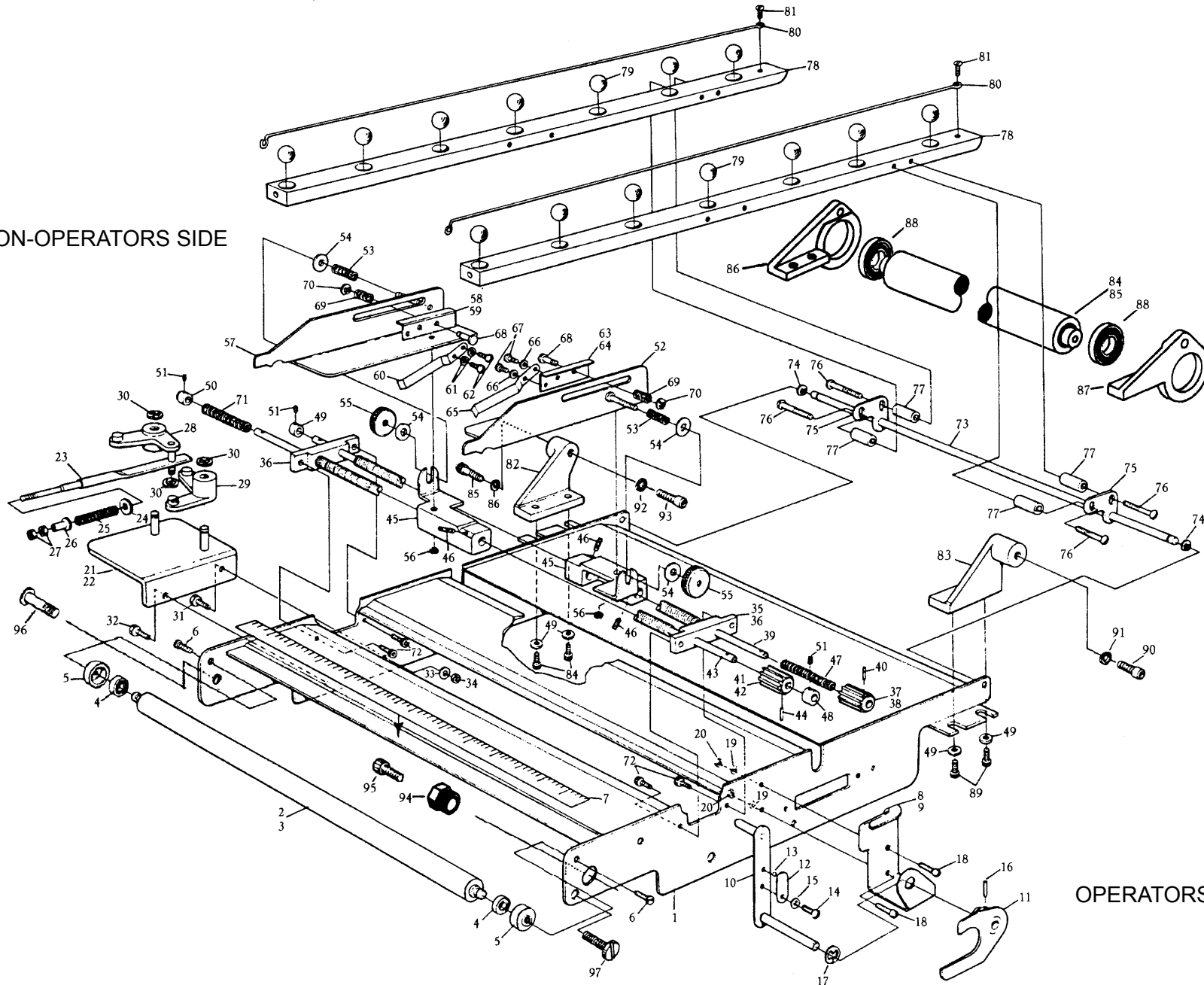
PAGE #10
FEEDER - CONVEYOR DRIVE
APACHE, SUPER CHIEF 2000, X-SERIES

KEY	PART	DESCRIPTION	KEY	PART	DESCRIPTION
1	P-255546	ASSEMBLY LEFT HAND FEEDER FRAME			
2	P-255671	ASSEMBLY RIGHT HAND FEEDER FRAME			
3	P-51295	BEARING RETAINER			
4	P-644	LOCK WASHER			
5	P-46	SCREW			
6	P-689	RETAINING RING			
7	P-51478	ASSEMBLY BEARING CONVEYOR			
7A	P-784	BALL BEARING			
8	P-255209	SHAFT PULLEY ASSEMBLY			
9	P-255212	SHAFT			
10	P-784	BEARING			
11	P-5163	PULLEY			
12	P-255425	HUB			
13	P-394	ROLL PIN			
14	P-8629	SPROCKET			
15	P-625	LOCK WASHER			
16	P-50	CAP SCREW			
17	P-51458	FLANGE			
18	P-65	SCREW			
19	P-255427	FLANGE			
20	P-10229	SCREW			
21	P-67	SCREW			
22	P-627	LOCK WASHER			
23	P-10918	WASHER, PLAIN			
24	P-255579	IDLER ASSEMBLY			
25	P-255560	MOUNTING PLATE ASSEMBLY			
26	P-10608	DOWEL PIN			
27	P-8610	SPROCKET			
28	P-395	ROLL PIN			
28A	P-19	SET SCREW			
28B	P-1320	BUSHING			
29	P-4965	BELT, TIMING (SEE ITEM #50, DWG. #8)			
30	P-8913	CHAIN (SEE ITEM #19, DWG. #9)			
31	P-4320	LINK, CONNECTING			
32	P-3900	ENDLESS BELT			
33	P-255561	TIE BAR OR STRAP BAR			
34	P-647	LOCK WASHER			
35	P-912	SCREW			

"P-" NUMBERS MAY BE INTERCHANGEABLE FOR BOTH CHIEF & GESTETNER AS INDICATED IN THE DESCRIPTION.
"G-" NUMBERS ARE FOR GESTETNER ONLY.

DRAWING #11
CONVEYOR ASSEMBLY
ALL CHIEFS / GESTETNER 213, 311, 312, 313

NON-OPERATORS SIDE



OPERATORS SIDE

PAGE #11
CONVEYOR ASSEMBLY
ALL CHIEFS / GESTETNER 213, 311, 312, 313

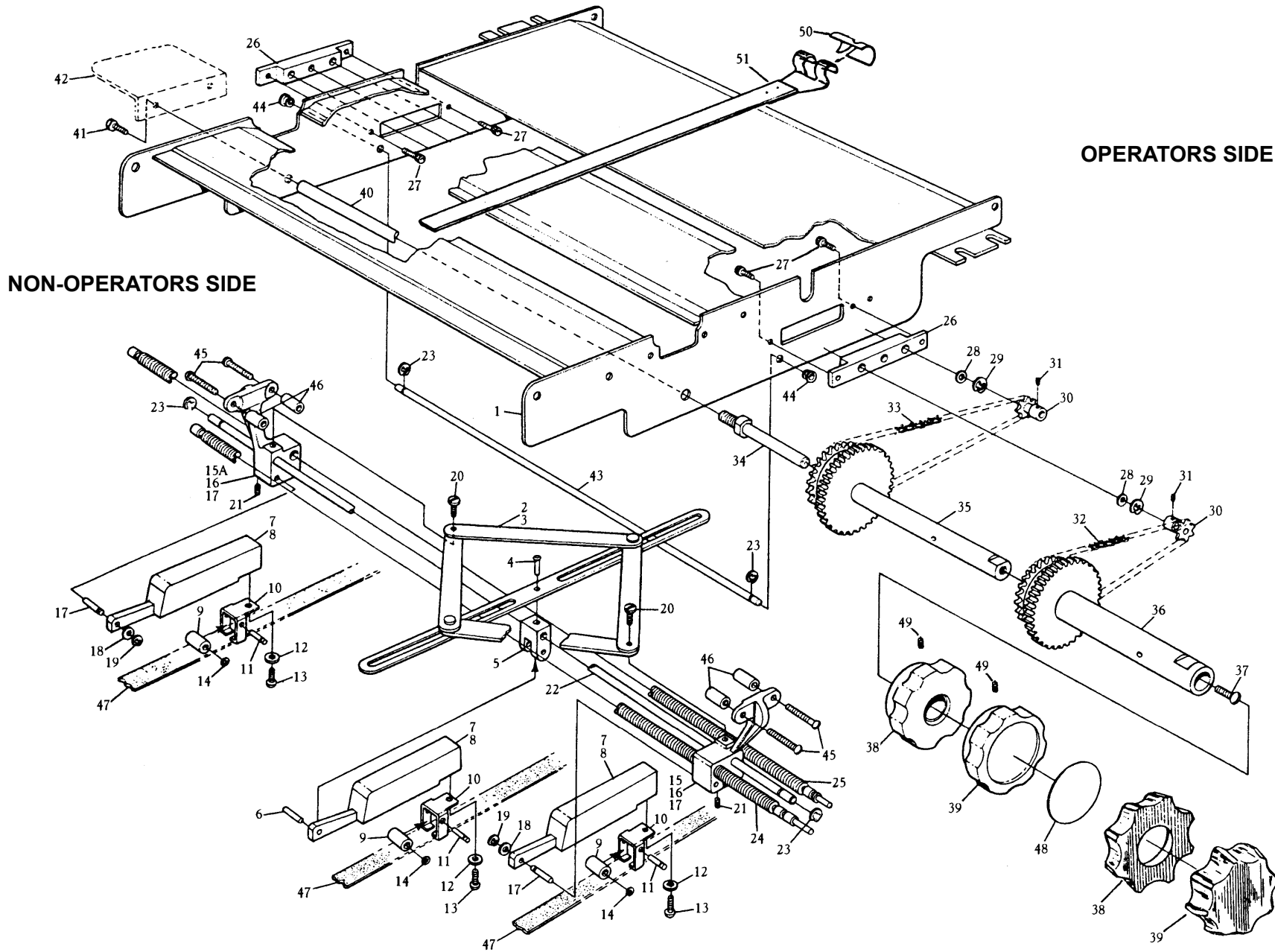
KEY	PART	DESCRIPTION
1	P-255373	CONVEYOR PLATFORM (X-SERIES & 2000)
	P-15373	CONVEYOR PLATFORM (15,115,215,17,117,217,G-311)
	G-15373	CONVEYOR PLATFORM (213,313)
2	P-255181	CONVEYOR ROLL ASSEMBLY (X-SERIES, & 2000)
	P-15181	CONVEYOR ROLL ASSEMBLY (15,115,215,17,117,217,G-311)
	G-15181	CONVEYOR ROLL ASSEMBLY (213,313)
3	P-255184	CONVEYOR ROLLER (2000, X-SERIES)
	P-15184	CONVEYOR ROLLER (15,115,215,17,117,217,G-311)
	G-15184	CONVEYOR ROLLER (213,313)
4	P-767	BALL BEARING
5	P-15186	CONVEYOR FRONT BEARING MOUNT
6	P-251	MOUNT SCREW
7	P-7430	CONVEYOR SCALE 13" (2000, X-SERIES)
	P-7406	CONVEYOR SCALE 11" (15,115,215,17,117,217,G-311)
	P-7436	CONVEYOR SCALE 14" (213,313)
8	P-15377	JOGGER LOCKOUT BRACKET ASSEMBLY (ALL MODELS)
9	P-15415	LOCKOUT BRACKET
10	P-15421	CUTOUT LEVER ASSEMBLY (ALL MODELS)
11	P-15407	CUTOUT YOKE ASSEMBLY
12	P-15387	CUTOUT SPRING
13	P-1121	STEEL BALL - 5/32"
14	P-202	SCREW
15	P-566	WASHER
16	P-10447	PIN
17	P-672	RETAINING RING
18	P-160	SCREW
19	P-643	WASHER
20	P-466	NUT
21	P-15188	CONV. JOGGER PLATE & CRANK ASSY.
22	P-15206	CONVEYOR JOGGER PLATE ONLY
23	P-15443	JOGGER PUSH ROD (CONNECTS TO #14, FIG. 15)
24	P-10915	PUSH ROD WASHER
25	P-15347	PUSH ROD SPRING
26	P-5526	PUSH ROD SLEEVE
27	P-469	ADJUSTING NUT (FASTENS ON OTHER SIDE OF #14, FIG. 15)
28	P-15198	JOGGER BELL CRANK ASSY. R.H. (OPERATES #43, THIS PAGE)
29	P-15217	JOGGER BELL CRANK ASSY. L.H. (OPERATES #39, THIS PAGE)
30	P-669	RETAINING RING
31	P-94	CAP SCREW
32	P-5416	CAP SCREW
33	P-10914	WASHER (INSIDE PRESS)
34	P-486	NUT (INSIDE PRESS)
35	P-255307	JOGGER ADJUSTING ASSY. (X-SERIES)
	P-15307	JOGGER ADJUSTING ASSY. (15,115,215,17,117,217)
36	P-15272	CONVEYOR JOGGER SCREW BEARING, LEFT HAND & RIGHT HAND
37	P-255283	SIDE JOGGER SCREW ASSY., L.H. (2000, X-SERIES)
	P-15283	SIDE JOGGER SCREW ASSY., L.H. (15,115,215,17,117,217)
38	P-15289	CONVEYOR ADJ. PINION
39	P-9176	SIDE GUIDE JOGGER SCREW (2000, X-SERIES & 213,311,313)
	P-9125	SIDE GUIDE JOGGER SCREW (15,115,215,17,117,217)
40	P-372	PIN
41	P-255247	SIDE JOGGER SCREW ASSY., R.H. (2000, X-SERIES)
	P-15247	SIDE JOGGER SCREW ASSY., R.H. (15,115,215,17,117,217)
42	P-15289	CONVEYOR ADJ. PINION
43	P-9177	SIDE GUIDE JOGGER SCREW (2000, X-SERIES)
	P-9125	SIDE GUIDE JOGGER SCREW (15,115,215,17,117,217)
44	P-372	PIN
45	P-15291	CONVEYOR JOGGER SIDE BRACKET (L.H. & R.H.)
46	P-10044	SET SCREW, BRASS TIP
47	P-15306	JOGGER SCREW SPRING
48	P-5548	JOGGER SCREW STOP, R.H.
49	P-10915	WASHER

KEY	PART	DESCRIPTION
50	P-6719	JOGGER SCREW CAP, R.H.
51	P-3	SET SCREW
52	P-15054	CONVEYOR JOGGER
53	P-12413	SPRING
54	P-574	WASHER
55	P-11526	CONVEYOR JOGGER ADJ. NUT
56	P-1123	RETAINING RING
57	P-15317	CONVEYOR JOGGER
58	P-15204	JOGGER SIDE FEATHER ASSY., R.H.
59	P-15006	JOGGER SIDE GUIDE FEATHER BRACKET, R.H.
60	P-15477	JOGGER SIDE GUIDE FEATHER, R.H.
61	P-570	FEATHER SCREW WASHER
62	P-4248	FEATHER SCREW
63	P-15202	JOGGER SIDE FEATHER ASSY., L.H.
64	P-15004	JOGGER SIDE GUIDE FEATHER BRACKET, L.H.
65	P-15471	JOGGER SIDE GUIDE FEATHER, L.H.
66	P-570	FEATHER SCREW WASHER
67	P-10322	FEATHER SCREW
68	P-3083	CONVEYOR JOGGER FEATHER PIN
69	P-15343	JOGGER FEATHER SPRING
70	P-665	RETAINING RING
71	P-15287	CONV. JOGGER SCREW SPRING
72	P-38	CAP SCREW
73	P-255483	SHAFT, BELT & CARRIER TIE ROD (2000, X-SERIES)
	P-15483	SHAFT, BELT & CARRIER TIE ROD (15,115,215,17,117,217,G-311)
	G-15483	SHAFT, BELT & CARRIER TIE ROD (213,313)
74	P-682	RETAINING RING
75	P-15473	REAR SUPPORT BRACKET
76	P-221	ROUND HEAD SCREW (CHIEF)
	P-901	CAP SCREW (GESTETNER)
77	P-6996	BALL CARRIER SPACER
78	P-255767	BALL CARRIER (2000, X-SERIES) (Center of this connects to #15 & #15A, page 12)
	P-15767	BALL CARRIER (15,115,215,17,117,217,G-311) (Center of this connects to #15 & #15A, page 12)
	G-15767	BALL CARRIER (213,313) (Center of this connects to #15 & #15A, page 12)
79	P-757	CARRIER BALL - STEEL 1/2"
	P-760	CARRIER BALL - GLASS 1/2"
	P-752	CARRIER BALL - NYLON 1/2"
80	P-255779	BALL RETAINER (2000, X-SERIES)
	P-15779	BALL RETAINER (15,115,215,17,117,217,G-311)
	G-15779	BALL RETAINER (213,313)
81	P-1871	SCREW
82	P-255458	CONV. TABLE MOUNTING BRACKET, L.H. (2000, X-SERIES)
83	P-255478	CONV. TABLE MOUNTING BRACKET, R.H. (2000, X-SERIES)
84	P-15209	FRONT CONVEYOR ROLLER ASSEMBLY (15,115,215,17,117,217)
	P-255209	FRONT CONVEYOR ROLLER ASSEMBLY (2000, X-SERIES) See page 6, item #8 for complete assembly for 2000, X-SERIES)
85	P-15212	CONVEYOR ROLLER ONLY (15,115,215,17,117,217)
	P-255212	CONVEYOR ROLLER ONLY (2000, X-SERIES)
	G-15212	CONVEYOR ROLLER ONLY (213,313)
86	P-15478	CONVEYOR MOUNTING BRACKET, R.H. (15,115,215,17,117,217,G-213,313)
87	P-15458	CONVEYOR MOUNTING BRACKET, L.H. (15,115,215,17,117,217,G-213,313)
88	P-1124	BALL BEARING
89	P-53	CAP SCREW (CHIEF)
	P-54	CAP SCREW (GESTETNER)
90	P-912	CAP SCREW
91	P-647	LOCKWASHER
92	P-628	LOCKWASHER
93	P-913	CAP SCREW
94	P-15563	ADJUSTING NUT (GESTETNER) "This part is also used on Chief water unit".
95	P-68	CAP SCREW (GESTETNER)
96	P-8079	SHOULDER SCREW
97	P-6502	PILOT SCREW

"P-" NUMBERS MAY BE INTERCHANGEABLE FOR BOTH CHIEF & GESTETNER AS INDICATED IN THE DESCRIPTION.

"G-" NUMBERS ARE FOR GESTETNER ONLY.

DRAWING #12
CONVEYOR ASSEMBLY & JOGGER ADJUSTMENT
ALL CHIEFS / GESTETNER 213, 311, 312, 313



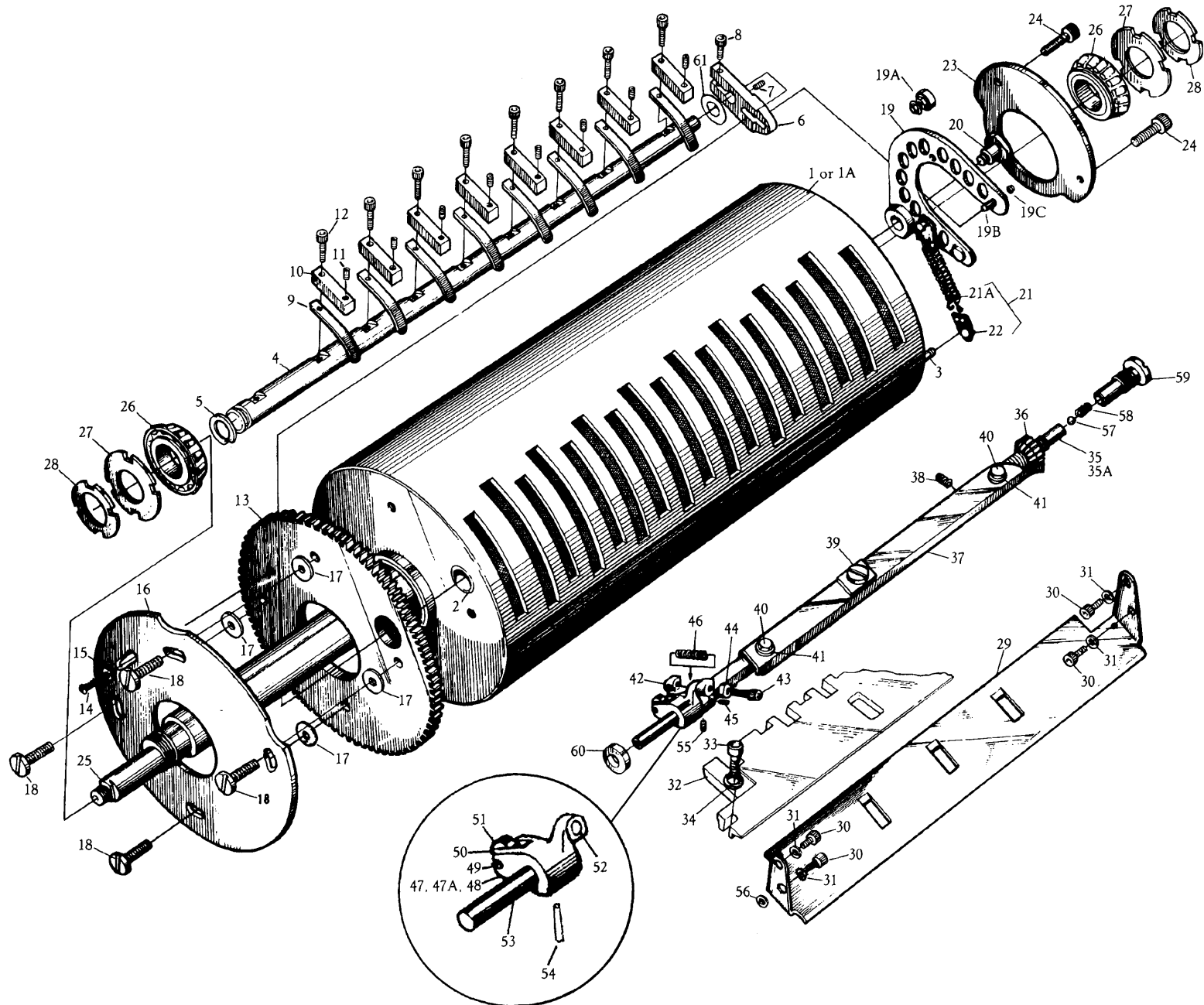
PAGE #12
CONVEYOR ASSEMBLY & JOGGER ADJUSTMENT
ALL CHIEFS / GESTETNER 213, 311, 312, 313

KEY	PART	DESCRIPTION
1	P-255174	CONVEYOR ASSEMBLY COMPLETE
1A	P-255373	CONVEYOR PLATFORM (2000, X-SERIES)
	P-15373	CONVEYOR PLATFORM (15,115,215,17,117,217, G-311)
	G-15373	CONVEYOR PLATFORM (213, 313)
2	P-255400	BELT ADJUSTING BRACKET SLIDE ASSEMBLY (ALL MODELS)
3	P-255477	ASSEMBLY BELT ADJUSTING BRACKET SLIDE (ALL MODELS)
4	P-1043	DRIVE SCREW
	P-891	CAP SCREW
5	P-15326	CONVEYOR CENTER ADJ. BRACKET-1/4" GAP FOR ITEM #7.
	G-15326	CONVEYOR CENTER ADJ. BRACKET-3/8" GAP FOR ITEM #7.
6	P-402	PIN
7	P-15285	CONVEYOR BELT TENSION WEIGHT ASSEMBLY
8	P-15366	TENSION WEIGHT
9	P-5588	BELT TENSION ROLLER
10	P-15286	WEIGHT ROD LEG
11	P-9071	ROLLER ROD
12	P-574	WASHER
13	P-210	ROUND HEAD SCREW
14	P-666	C-RING (ONLY NEED 1)
15	P-15315	BALL CARRIER ADJ. BRACKET, L.H. (INCLUDES #7 - 14 & 16, 17) Also holds item #78, page 11.
15A	P-15314	BALL CARRIER ADJ. BRACKET, R.H. (INCLUDES #7 - 14 & 16, 17) Also holds item #78, page 11.
16	P-15318	BRACKET ASSEMBLY - LEFT HAND & RIGHT HAND
17	P-4742	BRACKET PIN
18	P-576	WASHER
19	P-666	C-RING
20	P-4614	LINK SCREW
21	P-11566	SET SCREW (FOR JOGGER SCREW)
22	P-255481	CONVEYOR SCISSOR SHAFT
	P-15481	CONVEYOR SCISSOR SHAFT
	G-15481	CONVEYOR SCISSOR SHAFT (213, 313)
23	P-668	RETAINING RING
24	P-9112	SIDE JOGGER ADJUSTING SCREW (2000, X-SERIES)
	P-9102	SIDE JOGGER ADJUSTING SCREW (15,115,215,17,117,217,G-311)
	P-9126	SIDE JOGGER ADJUSTING SCREW (213, 313)
25	P-9113	SIDE JOGGER ADJUSTING SCREW (2000, X-SERIES)
	P-9108	SIDE JOGGER ADJUSTING SCREW (15,115,215,17,117,217,G-311)
	P-9127	SIDE JOGGER ADJUSTING SCREW (213, 313)
26	P-15277	ADJUSTING SCREW BEARING
27	P-37	CAP SCREW
28	P-584	WASHER
29	P-668	RETAINING RING
30	P-15342	CARRIER ADJUSTING SHAFT SPROCKET
31	P-3	SET SCREW
32	P-8903	CHAIN (60 LINKS)
33	P-8904	CHAIN (72 LINKS)
34	P-4513	CONVEYOR ADJUSTING SHAFT
35	P-115465	CONVEYOR JOGGER ADJ. ASSY., L.H. (115,117,215,217,2000, X-SERIES)
	P-15465	CONVEYOR JOGGER ADJ. ASSY., L.H. (15) (G-213, G-313)
36	P-115467	CONVEYOR JOGGER ADJ. ASSY., R.H. (115,117,215,217,2000, X-SERIES)
	P-15467	CONVEYOR JOGGER ADJ. ASSY., R.H. (15) (G-213, G-313)
37	P-226	MACHINE SCREW
38	P-255282	ADJUSTING KNOB (INNER) FOR LEFT HAND SIDE GUIDE
	P-115282	ADJUSTING KNOB (INNER) FOR LEFT HAND SIDE GUIDE (115,117,215,217)
38A	P-7434	DECAL (INNER KNOB) NOT SHOWN (115,117,215,217)
39	P-255293	ADJUSTING KNOB (OUTER) FOR RIGHT HAND SIDE GUIDE
	P-115293	ADJUSTING KNOB (OUTER) FOR RIGHT HAND SIDE GUIDE (115,117,215,217)
39A	P-7435	DECAL (OUTER KNOB) NOT SHOWN (115,117,215,217)
40	P-255211	CONVEYOR TIE BAR

KEY	PART	DESCRIPTION
	P-15211	CONVEYOR TIE BAR
	G-15211	CONVEYOR TIE BAR
41	P-5416	HEX SCREW
42	P-15188	CONVEYOR JOGGER PLATE ASSEMBLY (See item #22, page #11.
43	P-255483	BALL CARRIER SUPPORT (2000, X-SERIES)
	P-15483	BALL CARRIER SUPPORT (15, 115, 215, 17, 117, 217)
	G-15483	BALL CARRIER SUPPORT (213, 313)
44	P-4301	NYLINER BEARING
45	P-221	MACHINE SCREW
46	P-6996	BALL CARRIER SPACER-CHIEF
	P-1401	BALL CARRIER SPACER-GESTETNER
47	P-3900	CONVEYOR TAPE- 15, 115, 215, 17, 117, 217, 2000, X-Series
	P-3917	CONVEYOR TAPE - G-313
48	P-7433	DECAL (2000, X-SERIES ONLY)
49	P-8	SET SCREW (2000, X-SERIES)
	P-28	SET SCREW (15,115,215,17,117,217)
50	P-15429	HOLD DOWN CLIP (ALL MODELS EXCEPT X-SERIES & 2000)
51	P-15433	PAPER RETAINER (ALL MODELS EXCEPT X-SERIES & 2000) CLIPS ONTO DOUBLE SHEET ELIMINATOR (For X-SERIES & 2000 see paper retainer item #75, page 1)

"P-" NUMBERS MAY BE INTERCHANGEABLE FOR BOTH CHIEF & GESTETNER AS INDICATED IN THE DESCRIPTION.
"G-" NUMBERS ARE FOR GESTETNER ONLY.

DRAWING #13
IMPRESSION CYLINDER ASSEMBLY & PAPER STOP
ALL CHIEFS / GESTETNER 213, 311, 312, 313



PAGE #13
IMPRESSION CYLINDER ASSEMBLY & PAPER STOP
ALL CHIEFS / GESTETNER 213, 311, 312, 313

KEY	PART	DESCRIPTION
1	P-15163	IMPRESSION CYLINDER ASSEMBLY (COMPLETE) (15)
	P-115163	IMPRESSION CYLINDER ASSEMBLY (COMPLETE) (115, 215)
	P-17163	IMPRESSION CYLINDER ASSEMBLY (COMPLETE) (17)
	P-117163	IMPRESSION CYLINDER ASSEMBLY (COMPLETE) (117, 217)
	P-255163	IMPRESSION CYLINDER ASSEMBLY (COMPLETE) (X-SERIES 15" & 17" IMAGE
1A	P-15339	IMPRESSION CYLINDER (ONLY) (15, 115, 215)-Fast exchange.
	P-15972	IMPRESSION CYLINDER (ONLY) (15, 115, 215)-Customer furnished.
	P-17339	IMPRESSION CYLINDER (ONLY) (17, 117, 217)-Fast exchange.
	P-17972	IMPRESSION CYLINDER (ONLY) (17, 117, 217)-Customer furnished.
	P-255339	IMPRESSION CYLINDER (ONLY) (2000, X-SERIES)-Fast exchange.
	P-255972	IMPRESSION CYLINDER (ONLY) (2000, X-SERIES)-Customer furnished.
	G-15972	IMPRESSION CYLINDER (ONLY) (G-213, G-313)-Customer furnished.
	G-15339	IMPRESSION CYLINDER (ONLY) (G-213, G-313)-Fast exchange.
2	P-1261	BUSHING
3	P-6075	GRIPPER SPRING STUD
4	P-15231	GRIPPER SHAFT (15,115,215,17,117,217) <i>SEE NOTE.</i>
	P-255231	GRIPPER SHAFT (2000, X-SERIES) <i>SEE NOTE.</i>
	G-15231	GRIPPER SHAFT (213, 313)
5	P-673	RETAINING RING
6	P-15203	GRIPPER ARM - (15, 115, 215, 17, 117, 217, G-311, G-312) <i>SEE NOTE.</i>
	G-15203	GRIPPER ARM - (G-213, G-313)
7	P-5	SET SCREW <i>SEE NOTE.</i>
8	P-889	CAP SCREW
9	P-15225	GRIPPER (Qty 7 for 15,115,215,17,117,217•Qty 9 for 2000, X-SERIES,G-213,G-313)
10	P-15187	GRIPPER FINGER SUPPORT ASSEMBLY
11	P-855	GRIPPER ADJUSTING SCREW
12	P-38	GRIPPER SCREW
13	P-15191	IMPRESSION CYLINDER GEAR (15, 17, G-312) 14-1/2° P.A.
	P-115191	IMPRESSION CYLINDER GEAR (115,117,215,217) 20° P.A.
	P-255191	IMPRESSION CYLINDER GEAR (2000, X-SERIES) 20° P.A.
	G-15191	IMPRESSION CYLINDER GEAR (G-213, G-313) 14-1/2° P.A.
14	P-10282	IMPRESSION CYLINDER LOCK SCREW (15, 17)
	P-207	IMPRESSION CYLINDER LOCK SCREW (115,117,215,217, G-213, G-313)
15	P-643	WASHER (ALL CHIEFS)
	P-566	WASHER (G-213, G-313)
16	P-15978	STOP CAM (15, 115, 215, G-311,312)
	P-17978	STOP CAM (17, 117, 217, 2000, X-SERIES)
	G-15978	STOP CAM (G-213, G-313)
17	P-1811	WASHER (15, 17, G-213, G-313)
	P-581	WASHER (115,215,117,217)
18	P-5300	CAM SCREW
19	P-15207	GRIPPER OPERATING LEVER ASSEMBLY (15, 115, 215, 17, 117, 217)
	P-255207	GRIPPER OPERATING LEVER ASSEMBLY (2000, X-SERIES)
	G-313207	GRIPPER OPERATING LEVER ASSEMBLY (G-213, G-313) Consists of: 1-P-15207 lever, 1-P-8131 screw, 1-P-11031 washer.
19A	P-15210	BEARING & STUD ASSEMBLY (15, 115, 215, 17, 117, 217)
	P-255210	BEARING & STUD ASSEMBLY (2000, X-SERIES)
19B	P-4516	STUD-OPERATES ITEM #6, THIS PAGE (15, 115, 215, 17, 117, 217)
	P-7141	STUD-OPERATES ITEM #6, THIS PAGE (2000, X-SERIES)
19C	P-521	ELASTIC LOCK NUT
20	P-8105	SHOULDER SCREW (15, 115, 215, 17, 117, 217)
	P-8131	SHOULDER SCREW (2000, X-SERIES)
	P-8135	SHOULDER SCREW (G-213, 313)
21	P-15205	GRIPPER OPERATING SPRING ASSEMBLY
21A	P-15213	GRIPPER OPERATING SPRING
22	P-6088	SPRING CLIP
23	P-15193	TUMBLER GRIPPER CAM (OPERATES #19, THIS PAGE)
24	P-54	CAP SCREW
25	P-15781	IMPRESSION CYLINDER SHAFT (15, 115, 215)
	P-17781	IMPRESSION CYLINDER SHAFT (17, 117, 217)

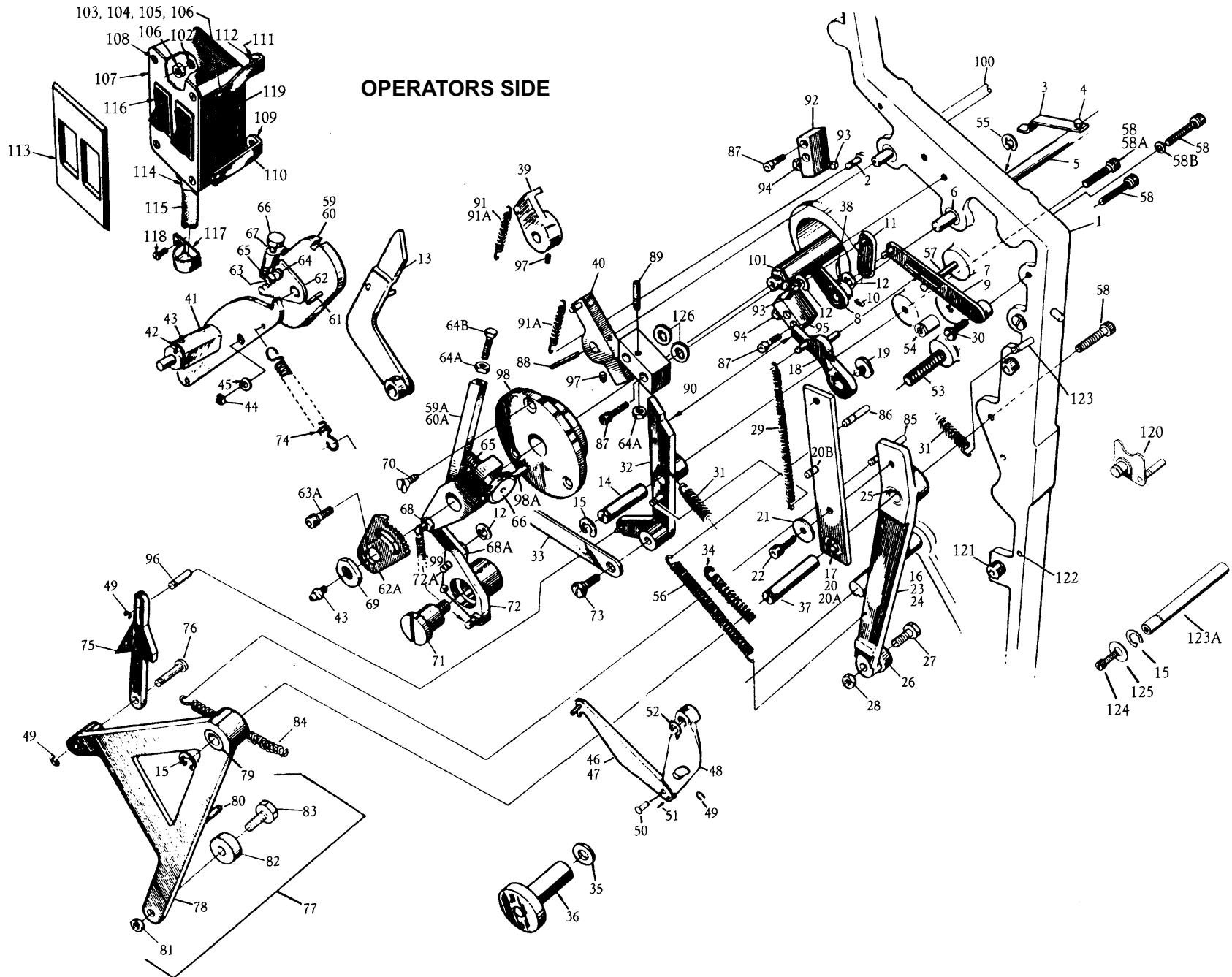
KEY	PART	DESCRIPTION
	P-255781	IMPRESSION CYLINDER SHAFT (2000, X-SERIES)
	G-15781	IMPRESSION CYLINDER SHAFT (G-213, 313)
26	P-1136	BEARING
27	P-5493	CYLINDER SHAFT RETAINER NUT
28	P-5497	LOCK NUT
29	P-15145	PAPER STOP PLATFORM (15, 115, 215, 17, 117, 217, G-311,312)
	P-255145	PAPER STOP PLATFORM (2000, X-SERIES)
	G-15145	PAPER STOP PLATFORM (G-213, 313)
30	P-50	CAP SCREW
31	P-577	WASHER
32	P-15241	PAPER DEFLECTOR (15, 115, 215, 17, 117, 217, G-311,312)
	P-255241	PAPER DEFLECTOR (2000, X-SERIES)
	G-15241	PAPER DEFLECTOR (G-213, 313)
33	P-44	DEFLECTOR CAP SCREW
34	P-572	PLATFORM WASHER
35	P-15393	PAPER STOP SHAFT ASSEMBLY (COMPLETE) (15, 115, 215)
	P-17393	PAPER STOP SHAFT ASSEMBLY (COMPLETE) (17, 117, 217)
	P-255393	PAPER STOP SHAFT ASSEMBLY (COMPLETE) (2000, X-SERIES)
35A	P-15382	PAPER STOP SHAFT (15, 115, 215)
	P-17382	PAPER STOP SHAFT (17, 117, 217)
	P-255382	PAPER STOP SHAFT (2000, X-SERIES)
	G-15382	PAPER STOP SHAFT (G-213, 313)
36	P-11550	ADJUSTING COLLAR
37	P-15383	PAPER STOP (ONLY) (15,115,215,17,117,217)
	P-255383	PAPER STOP (ONLY) (2000, X-SERIES)
38	P-15257	PAPER STOP SPRING
39	P-8115	PAPER STOP SCREW
40	P-81	SCREW
41	P-576	WASHER
42	P-15853	ADJUSTING ARM ASSEMBLY
43	P-46	SCREW
44	P-469	NUT
45	P-4	SET SCREW
46	P-15843	ADJUSTING ARM SPRING
47	P-15839	PAPER STOP ARM ASSEMBLY (115,215,117,217) (Consists of #48, 49, 50, 51, 52)
	P-15900	PAPER STOP ARM ASSEMBLY (15, 17)(Comes with #49, 50, 51, 52)
47A	P-15399	PAPER STOP ARM ASSEMBLY (2000, X-SERIES) (Consists of #47 thru 54)
	G-15399	PAPER STOP ARM ASSEMBLY (G-213, 313)
48	P-15851	ARM (ONLY)
49	P-4721	PIN FOR BEARING
50	P-10886	WASHER (NEED 2)
51	P-763	BALL BEARING-RIDES ON ITEM #16, THIS PAGE.
52	P-4720	PIN FOR SPRING
53	P-10594	SMALL SHAFT
54	P-431	TAPER PIN
55	P-381	ROLL PIN
56	P-5569	SPACING WASHER
57	P-754	BALL (3/16")
58	P-15406	SPRING
59	P-5489	PAPER STOP SPINDLE SCREW
60	P-6929	SPACER (2000, X-SERIES)
61	P-10967	SHIM WASHER

NOTE: TO INSURE AGAINST ANY SLIPPAGE OF THE GRIPPER ARM ON THE GRIPPER SHAFT, A DUTCHMAN IS INSTALLED IN ITEM #6 & #4 AT THE FACTORY AFTER THE PRESS HAS BEEN TESTED. IF EITHER A NEW GRIPPER ARM OR SHAFT IS INSTALLED, RELOCATE AND INSTALL A NEW DUTCHMAN. NUMBER #29 DRILL & 8-32 TAP.

"P-" NUMBERS MAY BE INTERCHANGEABLE FOR BOTH CHIEF & GESTETNER AS INDICATED IN THE DESCRIPTION.

"G-" NUMBERS ARE FOR GESTETNER ONLY.

DRAWING #14
IMPRESSION CYLINDER MECHANISM & LINKAGE (continued on next page)
ALL CHIEFS / GESTETNER 213, 311, 312, 313



IMPRESSION CYLINDER MECHANISM & LINKAGE (continued on next page)

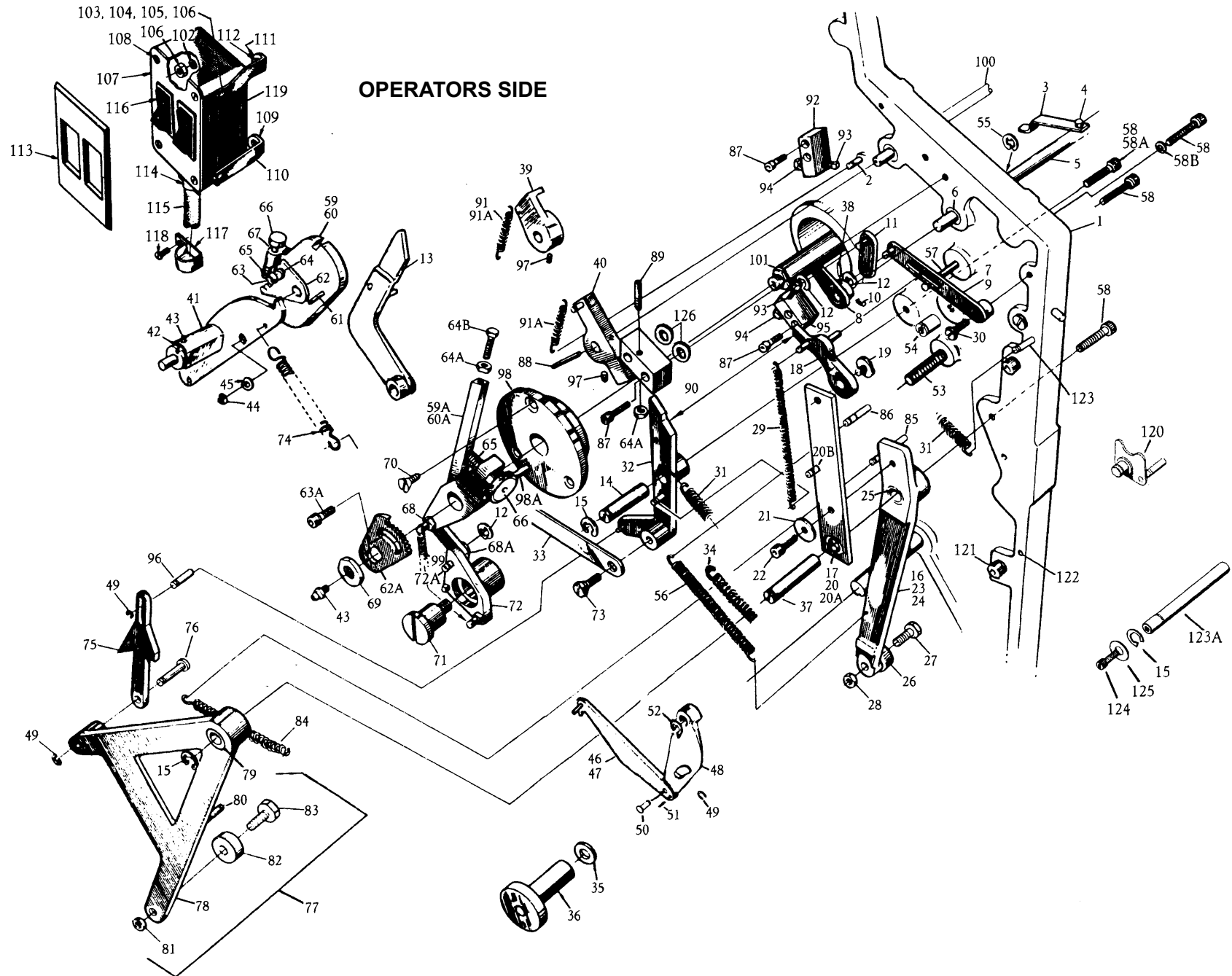
ALL CHIEFS / GESTETNER 213, 311, 312, 313

KEY	PART	DESCRIPTION	KEY	PART	DESCRIPTION
1	P-15667 P-255667	LEFT HAND PRINTER SIDE FRAME (15,115,215,17,117,217)) LEFT HAND PRINTER SIDE FRAME (2000, X-SERIES)	54	G-7108	RELEASE LOCK PAWL STUD (G-311)
2	G-15667	LEFT HAND PRINTER SIDE FRAME (G-213,311,312,313)	55	P-9089	RELEASE PAWL PIVOT PLATE SCREW (15,115,215,17,117,217, G-311)
3	P-10664	SPRING ANCHOR (15, 115, 2000, X-SERIES)	56	P-669	C-RING
4	P-15141	FEELER SPINDLE FEELER (Usually use qty. of 3 per press)	56	P-15729	BOTTOM ARM SPRING
5	P-891	CAP SCREW	57	P-10638	FEELER OPERATING PAWL STOP (ALL CHIEFS)
5	P-15139	FEELER SHAFT (15,115,215,17,117,217, G-311,312)	58	P-55	CAP SCREW
	P-255139	FEELER SHAFT (2000, X-SERIES)	58A	P-55	CAP SCREW (G-213,311,312,313)
	G-15139	FEELER SHAFT (G-213,313)	58B	P-627	WASHER
6	P-814	BUSHING	59	P-15743	IMPRESSION CYLINDER RELEASE DRUM LOCK ASSEMBLY (15, 115, G-311)
7	P-15160	FEELER LEVER & PAWL CONTROL LINK ASSEMBLY (15,115,215)	59A	P-255743	IMPRESSION CYLINDER RELEASE DRUM LOCK ASSEMBLY (17,117,217, 2000,X-SERIES)
	P-17160	FEELER LEVER & PAWL CONTROL LINK ASSEMBLY (17,117,217,2000, X-SERIES, G-213,312,313)	60	P-15759	BLOCK & PIN (ONLY)
8	P-15162	FEELER SPINDLE LEVER ASSEMBLY (15, 115, 215, G-311)	61	P-7034	PIN
	P-17162	FEELER SPINDLE LEVER ASSEMBLY (17, 117, 217, 2000, X-SERIES)	62	P-15733	GEAR SEGMENT-PART OF P-15743, P-255743 (2000, X-SERIES ORIGINAL SEGMENTS ONLY)
9	P-15136	PAWL CONTROL LINK ASSEMBLY (FOR CHIEFS)		P-15734	GEAR SEGMENT (15 OS., 15 NS., 115, 215, 17 OS., 17 NS Serial No. 13-4258 and up original segments only)
	G-15136	PAWL CONTROL LINK ASSEMBLY (G-213,311,312,313)	62A	P-17734	GEAR SEGMENT (17/117, 217 original segments only, G-213,311,312,313)
10	P-3	SET SCREW	63	P-54	CAP SCREW (15,115,215,17,117, G-213,311,312,313)
11	P-15725	PAWL CONTROL LINK CONNECTOR ASSEMBLY	63A	P-10089	CAP SCREW (217, 2000, X-SERIES)
12	P-668	RETAINING RING	64	P-584	WASHER
13	P-15726	SAFETY TRIP ASSEMBLY-GOES ON ITEM #37 (15,115,215)	64A	P-473	NUT
14	P-9088	FEELER SWING ARM SHAFT (15,115,215)	64B	P-11595	HEX HEAD STOP SCREW
	P-9096	FEELER SWING ARM SHAFT (17,117,217,2000,X-SERIES, G-213,311,312,313)	65	P-15721	ADJUSTING SCREW-PART OF P-15743, P-255743 (7/32" DIA. STEM)
15	P-670	C-RING		P-17721	ADJUSTING SCREW (3/16" DIA. STEM)
16	P-15707	FEELER OPERATING ARM & PAWL ASSEMBLY COMPLETE - CONSISTS OF ITEMS #17 THROUGH #28.	66	P-15736	ADJUSTING KNOB - 3/4" LONG HEAD (7/32 DIA. HOLE) PART OF P-15743, P255743
17	P-15703	FEELER OPERATING TOP ARM ASSEMBLY - CONSISTS OF ITEMS #18 THROUGH #20.		P-15731	ADJUSTING KNOB - 7/32" LONG HEAD (7/32 DIA. HOLE)
18	P-15177	FEELER OPERATING PAWL (ALL CHIEFS, G-213,311,312,313)		P-12731	ADJUSTING KNOB - 7/32" LONG HEAD (3/16" DIA. HOLE)
19	P-8116	PAWL SCREW	67	P-10446	ROLL PIN
20	P-15710	OPERATING TOP ARM & PIN ASSEMBLY (ALL CHIEFS)	68	P-6098	SPRING ANCHOR
	G-15710	OPERATING TOP ARM ASSEMBLY (G-213,311,312,313)	68A	P-17409	CONNECTING LINK
20A	P-255710	ARM ONLY (ALL CHIEFS)	69	P-10738	SEGMENT HOLDING NUT (ALL CHIEFS, G-311)
20B	P-6107	PIN	70	P-126	FLAT HEAD SCREW (NEED 3)
21	P-1885	WASHER	71	P-8122	SHOULDER SCREW
22	P-54	CAP SCREW	72	P-17704	KNOCK OFF PIVOT (17, 117, 217, 2000, X-SERIES)
23	P-15715	OPERATING BOTTOM ARM ASSEMBLY		G-17704	KNOCK OFF PIVOT (G-213,312,313)
24	P-15720	FEELER ARM ONLY	72A	P-4730	STUD (G-312,313)
25	P-828	BUSHING	73	P-8099	LINK & SWING ARM SCREW
26	P-1759	CAM ROLLER - RIDES ON P-15687 FEELER CAM)	74	P-15625	LOCK PAWL CONTROL SPRING (115,215, G-311)
27	P-8037	SHOULDER SCREW	75	P-17897	KNOCK OFF LEVER (17,117,217,2000,X-SERIES, G-213,312,313)
28	P-479	NUT	76	P-4734	PIN
	P-522	*ELASTIC LOCK NUT (USE FOR REPAIRS ONLY)	77	P-17891	DETENTION ARM ASSEMBLY (17,117,217,2000,X-SERIES, G-213,312,313)
29	P-15523	PAWL TO OPERATING ARM SPRING	78	P-17892	DETENTION ARM ONLY
30	P-8117	PAWL CONTROL LINK SCREW (ALL MODELS)	79	P-825	BUSHING
31	P-15547	SPRING	80	P-6001	SPRING ANCHOR
32	P-15661	FEELER SWING ARM (15,115,215, G-311)	81	P-479	NUT
	P-17661	FEELER SWING ARM (17,117,217,2000,X-SERIES, G-213,312,313)	82	P-1759	CAM ROLLER (RIDES ON P-15395 CAM)
33	P-15899	SWING ARM CONNECTING LINK (ALL CHIEFS)	83	P-8037	SHOULDER SCREW
	G-15899	SWING ARM CONNECTING LINK (G-213,311,312,313)	84	P-17325	SPRING-CONNECTS TO ITEM #80 & #85)
34	P-15665	RELEASE LOCK PAWL SPRING (15,115,215)	85	P-3044	SPRING ANCHOR PIN
35	P-653	WASHER	86	P-6091	SPRING ANCHOR PIN
36	P-11554	RELEASE LOCK PAWL KNOB (15,115,215, G-311)	87	P-51	CAP SCREW
37	P-9093	STUD (15,115,215, G-311)	88	P-544	TAPER PIN
	P-9097	STUD (17,117,217,2000,X-SERIES, G-213,312,313)	89	P-10026	SET SCREW
38	P-516	ROLL PIN	90	P-17643	STOP BLOCK
39	P-15768	PAPER STOP LEVER (15, 115, 215, G-311)	91	P-36619	SPRING (15, 115, 215, G-311)
40	P-17768	PAPER STOP LEVER (17, 117, 217, 2000, X-SERIES, G-213)	91A	P-15896	SPRING (17, 117, 217, 2000, X-SERIES)
	G-17768	PAPER STOP LEVER (G-312,313)	92	P-17740	TOP STOP BRACKET (G-213,312,313)
41	P-15704	IMPRESSION CYLINDER RELEASE LOCK PAWL ASSEMBLY (15,115,215)	93	P-10175	STOP SCREW
	P-17704	IMPRESSION CYLINDER RELEASE LOCK PAWL ASSEMBLY (17,117,217, 2000,X-SERIES)	94	P-477	NUT
42	P-5470	OPERATING PLATE SPRING - (15, 115, 215 ONLY)	95	P-17745	BOTTOM STOP BRACKET
43	P-1976	GREASE FITTING	96	P-4733	PIN
44	P-668	RETAINING RING	97	P-15	SET SCREW-NEEDED ONLY TO MOUNT LEVER WHEN DRILLING HOLE FOR PIN
45	P-10916	WASHER (115, 215, G-311)	98	P-15294	IMPRESSION CYLINDER SHAFT RETAINER (ALL MODELS)
46	P-15643	IMPRESSION CYLINDER RELEASE PAWL ASSEMBLY (15,115, 215, G-311)	98A	P-335	PIN - (USED ON 15, 115, 215 ONLY)
47	P-15647	PAWL ONLY (15, 115, 215, G-311)	99	P-17729	SPRING (17, 117, 217, 2000, X-SERIES)
48	P-15646	RELEASE PAWL PIVOT PLATE (15,115,215, G-311)	100	P-15382	PAPER STOP SHAFT (15,115,215, G-311) - SEE ITEM #35, PAGE 13.
49	P-666	C-RING		P-17382	PAPER STOP SHAFT (17,117,217, G-312) - SEE ITEM #35, PAGE 13.
50	P-4729	RELEASE DRUM LOCK PAWL PIN		P-255382	PAPER STOP SHAFT (200, X-SERIES) - SEE ITEM #35, PAGE 13.
51	P-378	PIN		G-15382	PAPER STOP SHAFT (G-213,313)
52	P-672	C-RING	101	P-15781	IMPRESSION CYLINDER SHAFT (15,115,215) - SEE ITEM #25, PAGE 13.
53	P-7108	RELEASE LOCK PAWL STUD (ALL CHIEFS)		P-17781	IMPRESSION CYLINDER SHAFT (17,117,217) - SEE ITEM #25, PAGE 13.
				P-255781	IMPRESSION CYLINDER SHAFT (2000, X-SERIES) - SEE ITEM #25, PAGE 13.
			102	P-15971	SWITCH BOX (115,215,117,217, G-213)

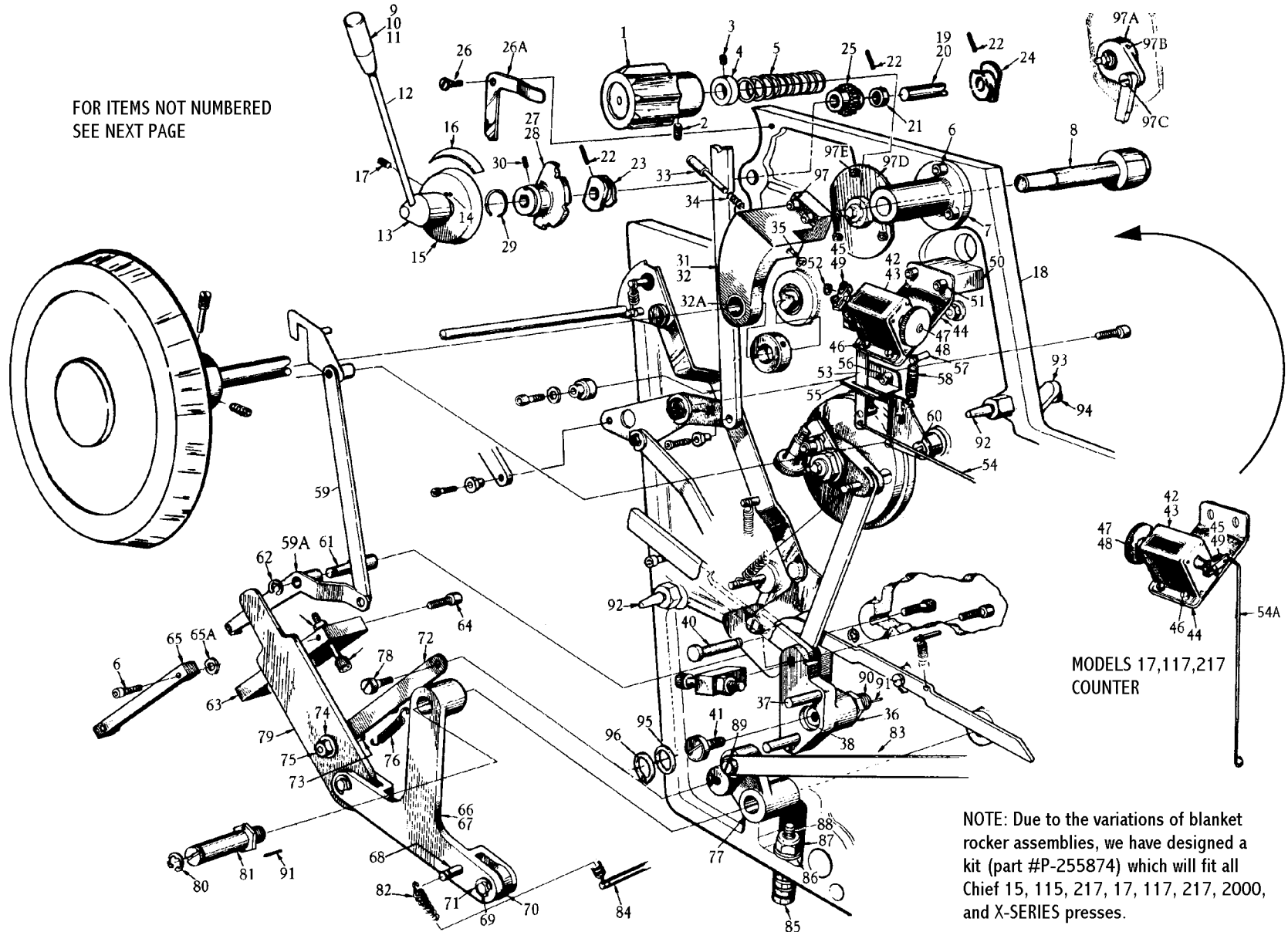
"P-" NUMBERS MAY BE INTERCHANGEABLE FOR BOTH CHIEF & GESTETNER AS INDICATED IN THE DESCRIPTION.

"G-" NUMBERS ARE FOR GESTETNER ONLY.

DRAWING #14A
IMPRESSION CYLINDER MECHANISM & LINKAGE (continued on next page)
ALL CHIEFS / GESTETNER 213, 311, 312, 313



DRAWING #15
PRINTER LINKAGE, COUNTER, INK & WATER LEVER
ALL CHIEFS / GESTETNER 213, 311, 312, 313



FOR ITEMS NOT NUMBERED
 SEE NEXT PAGE

MODELS 17, 117, 217
 COUNTER

NOTE: Due to the variations of blanket rocker assemblies, we have designed a kit (part #P-255874) which will fit all Chief 15, 115, 217, 17, 117, 217, 2000, and X-SERIES presses.

PRINTER LINKAGE, COUNTER, INK & WATER LEVER

ALL CHIEFS / GESTETNER 213, 311, 312, 313

KEY	PART	DESCRIPTION
1	P-15270	WRENCH KNOB (15 O.S., 17 O.S.)
	P-115270	WRENCH KNOB (115,215,117,217,2000,X-SERIES)
2	P-28	SET SCREW FOR P-15270. (ALSO FOR GESTETNER ORIGINAL KNOB)
	P-20	SET SCREW FOR P-115270.
3	P-15	SET SCREW
4	P-6713	COLLAR
5	P-15240	SPRING
6	P-905	CAP SCREW
7	P-15238	WRENCH FRAME FLANGE (15 O.S., 17 O.S., G-213,311,312,313)
	P-115238	WRENCH FRAME FLANGE (115,215,117,217,2000,X-SERIES)
8	P-15236	WRENCH BODY (15 O.S., 17 O.S., G-213,311,312,313)
	P-115236	WRENCH BODY (115,215,117,217,2000,X-SERIES)
9	P-15338	INK & WATER OPERATING LEVER ASSEMBLY (15, 17)
	P-115338	INK & WATER OPERATING LEVER ASSEMBLY (115,215,117,217,2000,X-SERIES)
10	P-15860	LEVER ASSEMBLY (ALL MODELS)
	P-1743	KNOB (ALL MODELS)
11	P-15849	LEVER ONLY (ALL MODELS)
12	P-15850	HUB ASSEMBLY (15 O.S., 17 O.S., G-213,311,312,313) COMES WITH ITEM #14.
13	P-115850	HUB ASSEMBLY (115,215,117,217,2000, X-SERIES) COMES WITH ITEM #14.
14	P-3019	PIN (ALL MODELS)
15	P-115722	CONTROL DISC (CHIEF ONLY)
16	P-7411	DECAL - INK ON & OFF
17	P-22	SET SCREW
18	P-15667	PRINTER SIDE FRAME-LEFT HAND (15, 17)
	P-255667	PRINTER SIDE FRAME-LEFT HAND (2000, X-SERIES)
	G-15667	PRINTER SIDE FRAME-LEFT HAND (G-213,311,312,313)
19	P-15439	WATER & INK CAM SHAFT OPERATING ASSEMBLY (15,115,215,17,117,217, G-311,312)
	P-255439	WATER & INK CAM SHAFT OPERATING ASSEMBLY (2000, X-SERIES)
	G-15439	WATER & INK CAM SHAFT OPERATING ASSEMBLY (G-213,313)
20	P-15499	SHAFT ONLY (15,115,215,17,117,217, G-311,312)
	P-255499	SHAFT ONLY (2000, X-SERIES)
	G-15499	SHAFT ONLY (G-213,313)
21	P-5503	COLLAR (NO BUSHING) NEED RETAINING RING OFR 2000
	G-5503	COLLAR & BUSHING KIT-FOR ORIGINAL GESTETNER GEAR.
22	P-391	ROLL PIN
23	P-15503	LEFT HAND CAM (15,115,215,17,117,217)
	P-255503	LEFT HAND CAM (2000,X-SERIES)
24	P-15623	RIGHT HAND CAM (15,115,215,17,117,217)
	P-255623	RIGHT HAND CAM (2000,X-SERIES)
25	P-15457	INTERMEDIATE IDLER GEAR (15 O.S., 17 O.S., G-213,311,312,313)
	P-115457	INTERMEDIATE IDLER GEAR (15 N.S., 115,215, 17N.S., 117,217)
	P-255457	INTERMEDIATE IDLER GEAR (2000,X-SERIES)
25A	P-1263	BUSHING-FOR ORIGINAL GESTETNER IDLER GEAR.
26	P-8101	SHOULDER SCREW
26A	P-15416	MOLLETON ROLLER OPERATING LINK (OPERATORS SIDE)
27	P-15822	OPERATING PLATE ASSEMBLY
28	P-15823	OPERATING PLATE ONLY
29	P-5470	SPECIAL SPRING
30	P-19	SET SCREW
31	P-15914	PLUNGER BRACKET ASSEMBLY (15,115,215,17,117,217)
32	P-15925	BRACKET ONLY
32A	P-11245	BUSHING (FOR CHIEF)
	P-1218	BUSHING (FOR GESTETNER)
33	P-4724	PLUNGER - CHIEF STYLE ONLY
	G-4724	PLUNGER
34	P-15926	SPRING
35	P-661	C-RING
36	P-255874	BLANKET ECCENTRIC ROCKER ASSEMBLY (ALL CHIEFS) (SEE NOTE *)
	G-255874	BLANKET ECCENTRIC ROCKER ASSEMBLY (G-213,311,312,313)
37	P-10645	GROOVED PIN (FOR CHIEF STYLE ONLY)
38	P-1223	BUSHING
39	P-5559	CAM (NOT SHOWN) (SEE NOTE *)
40	P-4713	ROCKER PIN (15,115,215,17,117,217)
	P-4765	ROCKER PIN (G-213,311,312,313)
41	P-15915	BLANKET ECCENTRIC SCREW (15,115,215,17,117,217) FOR 1/2" STUD.
42	P-15996	COUNTER & PLATFORM ASSEMBLY (15,115,215, G-213)
	P-17996	COUNTER & PLATFORM ASSEMBLY (17,117,217)
43	P-36954	COUNTER & WHEEL ASSEMBLY (15,115,215, G-213)
	P-17954	COUNTER & WHEEL ASSEMBLY (17,117,217)
44	P-15950	COUNTER PLATFORM (15,115,215,17,117,217, G-213)
45	P-15956	COUNTER ARM STUD ASSEMBLY (15,115, G-213)
46	P-150	COUNTER MOUNTING SCREW (ALL CHIEFS, G-213)
47	P-36958	RESET WHEEL - SCREW ON TYPE
	P-36963	RESET WHEEL - SNAP ON TYPE (DOES NOT COME WITH P-15996 OR P-17996)
48	P-1056	SCREW

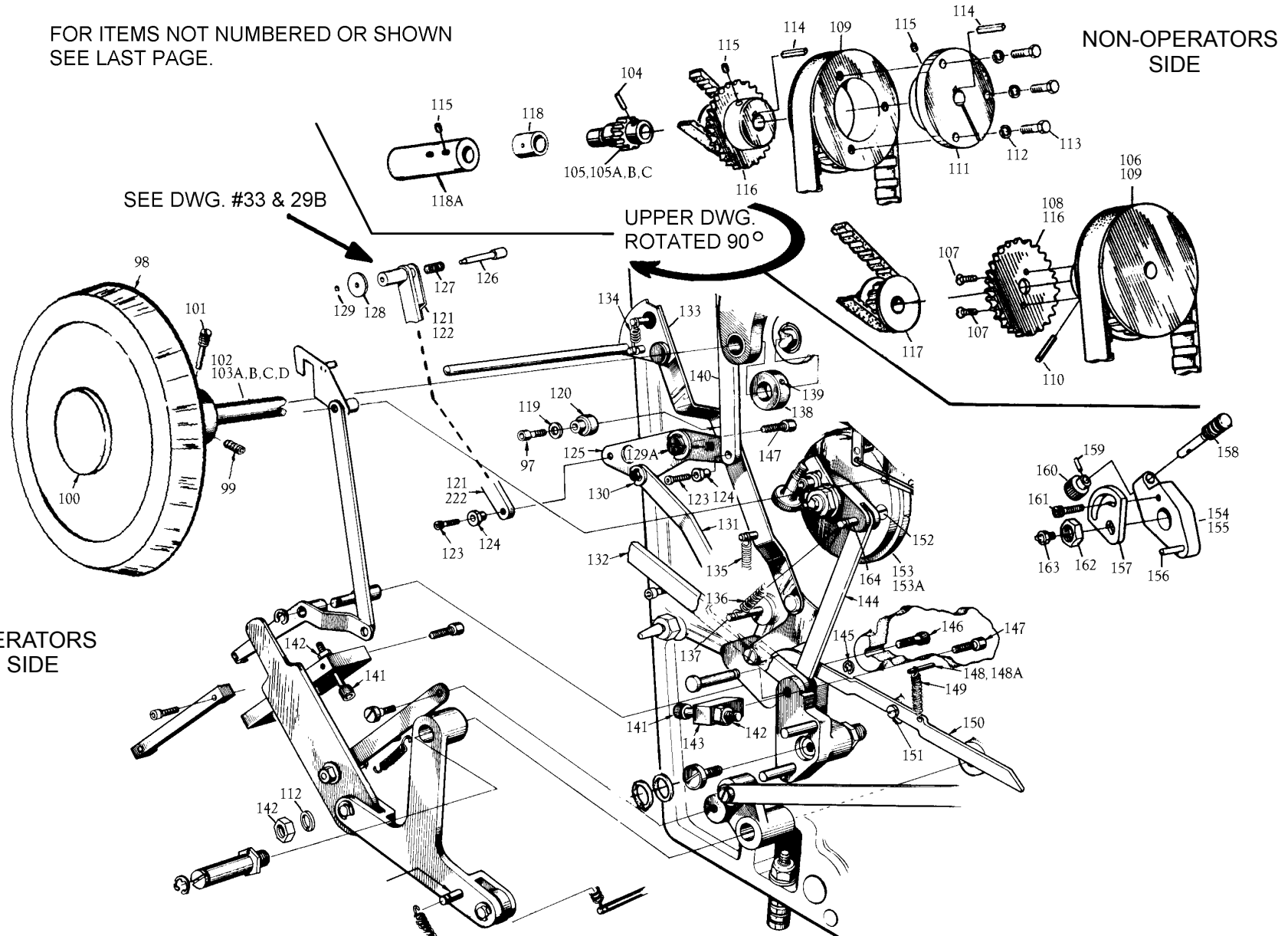
KEY	PART	DESCRIPTION
49	P-229	SCREW
50	P-115950	COUNTER SPACER (15,115,17,117,215,217)
51	P-10095	CAP SCREW
52	P-664	LINK TO COUNTER RETAINING RING
53	P-15942	COUNTER CONNECTING LINK ASSEMBLY (15 O.S., G-213)
	P-115942	COUNTER CONNECTING LINK ASSEMBLY (115,215)
54	P-15938	TRIP ROD (15,115,215, G-213)
54A	P-17938	TRIP ROD (17)
	P-117938	TRIP ROD (117,217)
55	P-15940	COUNTER LINK STOP
56	P-49	CAP SCREW (ALSO HOLDS ITEM #44 TO SIDE FRAME ON 215)
57	P-10665	SPRING ANCHOR PIN
58	P-12640	SPRING (ALL CHIEFS, G-213)
59	P-15980	COUNTER OPER. LINK ASSEMBLY (15,115,215, G-213)
59A	P-15986	COUNTER OPER. LINK ONLY (USED ALONE ON 17,117,217, ALSO PART OF P-15980)
	G-15986	COUNTER OPERATING LINK ONLY (G-311,312,313)
60	P-8088	COUNTER OPERATING LINK BUSHING (ALL CHIEFS, G-213)
61	P-9091	COUNTER ASSEMBLY BOTTOM OPERATING LINK STUD
62	P-670	BOTTOM COUNTER LINK RETAINING RING
63	P-15806	PUSH BAR SUPPORT BLOCK
64	P-65	BLOCK CAP SCREW
65	P-15829	PUSH BAR SUPPORT BLOCK SPACER
65A	P-1412	SPACER (G-311,312,313)
66	P-15799	BLANKET ECCENTRIC SWING ARM & FEELER LINK ASS'Y. (15 O.S., 17 O.S.)
	P-115799	BLANKET ECCENTRIC SWING ARM ASS'Y. (115,215,117,217,2000,X-SERIES)
67	P-15892	BLANKET ECCENTRIC SWING ARM
	G-15892	BLANKET ECCENTRIC SWING ARM (213,311,312,313)
68	P-6092	SPRING PIN
69	P-3013	ROLLER ARM PIN
	G-3013	ECCENTRIC SCREW (G-213,311,312,313)
70	P-5506	BLANKET ECCENTRIC OPERATING ROLLER
71	P-669	SWING ARM RETAINING RING
72	P-15895	BLANKET ECCENTRIC FEELER LINK ASSEMBLY (ONLY)
73	P-6090	PUSH BAR SPRING PEG
74	P-575	LINK WASHER
75	P-469	LINK NUT
76	P-36264	ECCENTRIC FEELER LINK SPRING
77	P-115792	FEELER INTERMEDIATE LINK (15,115,215,17,117,217,2000,X-SERIES,)
	P-15972	FEELER INTERMEDIATE LINK (15 O.S., 17 O.S., G-213,311,312,313)
78	P-8099	ECCENTRIC FEELER LINK SCREW
79	P-15884	PUSH BAR (OPERATES COUNTER OPERATING LINK) (15,115,215,17,117,217)
	G-15884	PUSH BAR (G-213,311,312,313)
80	P-672	SWING ARM RETAINING RING
81	P-7110	INTERMEDIATE LINK STUD (15,115,215,17,117,217)
	G-7110	INTERMEDIATE LINK STUD (G-213,311,312,313)
82	P-15325	SWING ARM SPRING
83	P-15899	CONNECTING LINK - IMP. CYLINDER RELEASE SWING ARM (15,115,215,17,117,217)
	G-15899	CONNECTING LINK - IMP. CYLINDER RELEASE SWING ARM (G-213,311,312,313)
84	P-6091	SPRING ANCHOR PIN
85	P-15876	MOUNTING SPRING (15,115,215,17,117,217) (NOT USED ON X-SERIES OR 2000)
86	P-599	WASHER
87	P-525	ELASTIC NUT
88	P-5435	CAP SCREW
89	P-8099	LINK SHOULDER SCREW
90	P-7109	BLANKET ECCENTRIC ROCKER STUD (1/2" O.D.)
	P-7129	BLANKET ECCENTRIC ROCKER STUD (5/8" O.D.)
	G-7109	BLANKET ECCENTRIC ROCKER STUD (G-213,311,312,313)
91	P-370	STOP PIN (15,115,215,17,117,217)
92	P-7088	COVER STUD (15,115,215,17,117,217)
	G-7088	COVER STUD (G-213,311,312,313)
93	P-115296	BOTTOM CYLINDER GUARD STOP
94	P-58	GUARD STOP SCREW
95	P-5579	WASHER (2000,X-SERIES)
96	P-707	C-RING (2000, X-SERIES)
97	P-52	CAP SCREW
97A	P-17708	KNOCK OFF CRANK (17,117, G-213,312,313)
97B	P-26	SET SCREW
97C	P-8123	ROCKER PLATE CONNECTING LINK STUD (17,117, G-213)
	G-8123	ROCKER PLATE CONNECTING LINK STUD (G-213,313)
97D	P-15709	SHAFT RETAINER (15,115,215 1st. head, G-
	P-17709	SHAFT RETAINER (17,117,217 1st. head, G-
	P-215427	SHAFT RETAINER (2000, X-SERIES)
97E	P-55	CAP SCREW (15,115,215,17,117,217, G-
	P-126	FLAT HEAD SCREW (2000, X-SERIES)

"P-" NUMBERS MAY BE INTERCHANGEABLE FOR BOTH CHIEF & GESTETNER AS INDICATED IN THE DESCRIPTION.

"G-" NUMBERS ARE FOR GESTETNER ONLY.

DRAWING #16
PRINTER LINKAGE, DRIVE SHAFT & PULLEYS
ALL CHIEFS / GESTETNER 312, 311, 312, 313

FOR ITEMS NOT NUMBERED OR SHOWN
SEE LAST PAGE.



PAGE #16
PRINTER LINKAGE, DRIVE SHAFT & PULLEYS
ALL CHIEFS / GESTETNER 213, 311, 312, 313

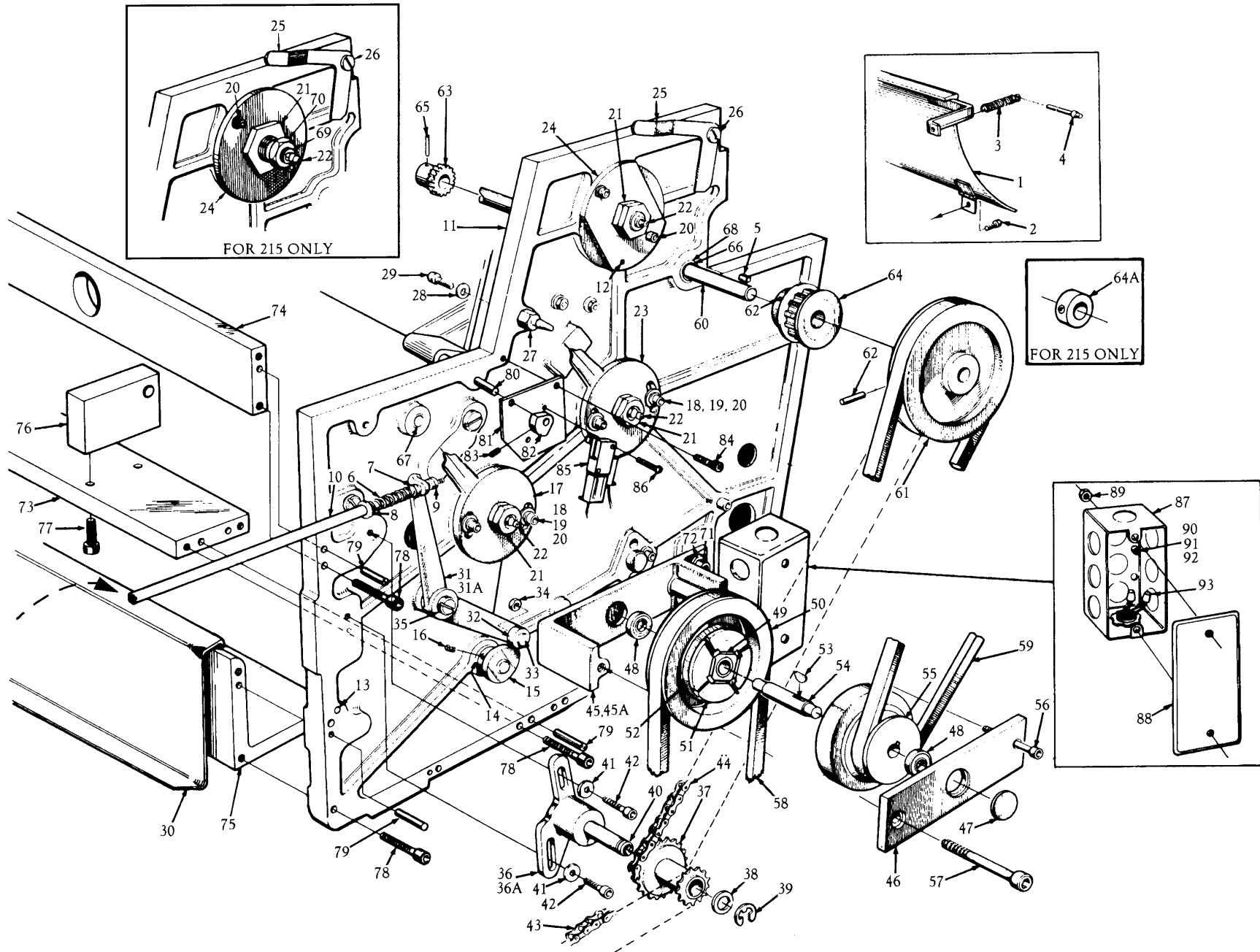
KEY	PART	DESCRIPTION
98	P-15615 P-115615 P-255615	HANDWHEEL ASSEMBLY (15 O.S., 17 O.S.) INCLUDES ITEMS #99 & #100. HANDWHEEL ASSEMBLY (115,117,215,217, G-213) HANDWHEEL ASSEMBLY (2000, X-SERIES) INCLUDES ITEMS #99.
99	P-28	SET SCREW
100	P-7410 G-7410	DECAL DECAL
101	P-6500	PILOT SCREW FOR HANDWHEEL-ALL CHIEFS, G-213)
102	P-15577 P-115577 P-17577 P-117577 P-200577	DRIVE SHAFT ASSEMBLY (15) INCLUDES ITEMS #103, 104, 105, 106. DRIVE SHAFT ASSEMBLY (115,215) INCLUDES ITEMS #103A, 104, 105A. DRIVE SHAFT ASSEMBLY (17) INCLUDES ITEMS #103, 104, 105, 106. DRIVE SHAFT ASSEMBLY (117,217) INCLUDES ITEMS #103A, 104, 105A. DRIVE SHAFT ASSEMBLY (2000) INCLUDES ITEMS #103B, 104, 105B, 107, 109, 110, 116, 117, 118.
	P-255577	DRIVE SHAFT ASSEMBLY (X-SERIES) INCLUDES ITEMS #103C, 104, 105C, 109, 111, 114, 115, 116, 118A.
103	P-15583 G-115583 G-313583	SHAFT ONLY (15 O.S., 17 O.S.) DRIVE SHAFT (G-311, 312) DRIVE SHAFT (G-213, 313)
103A	P-115583	SHAFT ONLY (115,215,117,217)
103B	P-200583	SHAFT ONLY (2000)
103C	P-255583	SHAFT ONLY (X-SERIES)
104	P-359 P-5708	ROLL PIN (15,115,215,17,117,217,2000) ROLL PIN (X-SERIES)
105	P-15865	GEAR (15,17) - DRIVES ITEM #21, PAGE 20.
105A	P-115581	GEAR (115,215,117,217) - DRIVES ITEM #21, PAGE 20.
105B	P-200854	GEAR (2000) - DRIVES ITEM #3, PAGE 21.
105C	P-255854	GEAR (X-SERIES) - DRIVES ITEM #3, PAGE 21.
106	P-5131 P-5130	PULLEY ASSEMBLY (15,115,215) - 3-11/16" O.D. PULLEY ASSEMBLY (17,117,217) - 4-13/16" O.D.
107	P-1810	SCREW
108	P-8600	SPROCKET
109	P-5106 P-5108 P-4201 P-5156	PULLEY ONLY (15 N.S., 115, 215) PULLEY ONLY (15 O.S. 17, 117, 217) PULLEY ONLY (X-SERIES) PULLEY ONLY (2000)
110	P-361	ROLL PIN
111	P-4200	PULLEY BUSHING ASSEMBLY (X-SERIES)
112	P-627	LOCK WASHER (ALL CHIEFS, G-213,311,312,313)
113	P-90	HEX HEAD SCREW
114	P-1190	KEY
115	P-19	SET SCREW
116	P-8614 P-8690	SPROCKET (2000) DRIVES ITEMS #11, PAGE 9 SPROCKET & PULLEY (X-SERIES) DRIVES ITEM #11, PAGE 9.
117	P-5169	PULLEY (17,117,217,2000)
118	P-778	INNER BEARING (2000)
118A	P-6918	HANDWHEEL SPACER (X-SERIES)
119	P-574	WASHER
120	P-6930	SPACER-INK SHUT OFF LINK
121	P-15237 P-115237 P-215237 P-200237 P-255237	INK OPERATING LINK ASSEMBLY (15 O.S.,17 O.S.) INK OPERATING LINK ASSEMBLY (15,115,17,117) INK OPERATING LINK ASSEMBLY (215,217) INK OPERATING LINK ASSEMBLY (2000) INK OPERATING LINK ASSEMBLY (X-SERIES)
122	P-15265 P-215265 P-255265	LINK-INK OPERATING (15,115,17,117, G-213,311,312,313) LINK-INK OPERATING (215,217) LINK-INK OPERATING (2000,X-SERIES) OPERATES #62, PAGE 33.
123	P-38	CAP SCREW (ALL CHIEFS, G-213)
124	P-15266	ECCENTRIC BUSHING
125	P-15476 P-115476 P-200476 P-255476 G-15476	PLATE ASSEMBLY (15 O.S.,17 O.S.) PLATE ASSEMBLY (115,117,215,217) PLATE ASSEMBLY (2000) PLATE ASSEMBLY (X-SERIES) PLATE ASSEMBLY (G-213,311,312,313) COMES WITH P-38 CAP SCREW.
126	P-4725	PIN
127	P-15278	SPRING
128	P-11551	KNOB
129	P-661	C-RING
129A	P-7900 P-9090	INK ROCKER PLATE PIVOT SCREW INK ROCKER PLATE PIVOT STUD (G-213,311,312,313)
130	P-669	C-RING
131	P-15919 P-115919	INK ROCKER LINK (15 O.S.,17 O.S., G-213,311,312,313) OPERATED BY P-15395. INK ROCKER LINK (115,215,117,217,2000,X-SERIES)
132	P-215706	LINK (215)

KEY	PART	DESCRIPTION
133	P-217706 P-15705 P-255705	LINK (217,2000,X-SERIES) INK SHUT OFF LINK ASSEMBLY (15,115,215,17,117,217, G-213,311,312,313) INK SHUT OFF LINK ASSEMBLY (2000,X-SERIES)
134	P-15716	SPRING
135	P-15523	SPRING
136	P-15574	SPRING (15,115,215, G-311) - CONNECTS TO ITEM #64.
	P-17574	SPRING (17,117,217,2000,X-SERIES)
137	P-6089 P-6091	SPRING ANCHOR (15, G-311) SPRING ANCHOR (115,215,17,117,217)
138	P-743	COLLAR-HANDWHEEL SPACER
139	P-18	SET SCREW
140	P-15469 P-115469 P-255469	WATER OPERATING LINK (15 O.S.,17 O.S., G-213,311,312,313) WATER OPERATING LINK (115,215,117,217) WATER OPERATING LINK (2000,X-SERIES)
141	P-68	CAP SCREW
142	P-486	NUT (ALL CHIEFS, G-213,311,312,313)
143	P-15620	STOP BLOCK (ALL CHIEFS, G-213,311,312,313)
144	P-15834 P-115834 P-17834	BLANKET ECCENTRIC OPERATING LINK (15 O.S.,17 O.S.) BLANKET ECCENTRIC OPERATING LINK (115,215, G-311) BLANKET ECCENTRIC OPERATING LINK (17,117,217,2000,X-SERIES, G-213) CONNECTS TO ITEM #97C, DWG. 15.
145	P-668	C-RING FOR ITEM #40.
146	P-56	CAP SCREW
147	P-55	CAP SCREW
148	P-10665	SPRING ANCHOR (15,115,215)
148A	P-10453	COUNTER LIMIT PIN (17,117,217)
149	P-98739	SPRING
150	P-15953	IMPRESSION CYLINDER LOCK PAWL LINK (15,115,215, G-311)
151	P-8120	SHOULDER SCREW
152	P-126	SCREW-SHAFT RETAINER
153	P-15294	SHAFT RETAINER (15,115,215)
153A	P-17709	SHAFT RETAINER (17,117,217, G-213,312,313)
154	P-15718 P-17718	BLANKET ECCENTRIC ADJUSTING ASSEMBLY (15,115,215, G-311) BLANKET ECCENTRIC ADJUSTING ASSEMBLY (17,117,217,2000,X-SERIES, G-213,312,313) ALSO INCLUDES P-15294 SHAFT RETAINER, ITEM #153.
155	P-15747 P-255759	ARM (15,115,215) ARM (17,117,217,2000,X-SERIES)
156	P-335	DOWEL PIN
157	P-15733	GEAR SEGMENT
158	P-15721	SCREW
159	P-10444	ROLL PIN
160	P-15736	KNOB-ADJUSTING
161	P-10089	CAP SCREW
161A	P-382	ROLL PIN (Not shown) USED ONLY ON P-15747. USED AS A STOP FOR GEAR SEGMENT.
162	P-10738	NUT-BLANKET CYLINDER SHAFT
163	P-1976	GREASE FITTING
164	P-6089 P-6114	SPRING ANCHOR - 1/4" O.D., USE WITH P-15718. SPRING ANCHOR - 5/16" O.D., USE WITH P-17718.

"P-" NUMBERS MAY BE INTERCHANGEABLE FOR BOTH CHIEF & GESTETNER AS INDICATED IN THE DESCRIPTION.

"G-" NUMBERS ARE FOR GESTETNER ONLY.

DRAWING #17
PRINTER SIDE PLATE - RIGHT HAND (NON-OPERATORS SIDE)
15, 115, 215, 17, 117, 217 / GESTETNER 312, 311, 312, 313



PAGE #17
PRINTER SIDE PLATE - RIGHT HAND (NON-OPERATORS)
15, 115, 215, 17, 117, 217 / GESTETNER 213, 311, 312, 313

KEY	PART	DESCRIPTION
1	P-15375	DELIVERY PAPER DEFLECTOR ASSEMBLY (ONLY) (15,115,215,17,117,217,G-311, G-312)
1A	P-255375	DEFLECTOR ASSEMBLY (2000, X-SERIES, G-213,313)
2	P-49	CAP SCREW
3	P-15349	DEFLECTOR SPRING
4	P-6077	SPRING PIN
5	P-4712	INKER LOCATING PIN
6	P-15347	PUSH ROD SPRING
7	P-5526	PUSH ROD SLEEVE
8	P-10915	PUSH ROD WASHER
9	P-469	ADJUSTING NUT
10	P-15443	CONVEYOR JOGGER PUSH ROD
11	P-15916	PRINTER SIDE FRAME, RIGHT HAND
11A	G-15916	SIDE FRAME (G-213,311,312,313)
12	P-379	PIN
13	P-404	TWO SHEET TRAY REST PIN
13A	P-7913	PIN (G-311,312,313)
14	P-1320	JOGGER SHAFT BUSHING
15	P-15234	CONVEYOR JOGGER CAM
16	P-25	SET SCREW
17	P-15304	IMPRESSION CYLINDER SHAFT RETAINER, RIGHT HAND
18	P-10915	WASHER
19	P-627	LOCK WASHER
20	P-55	CAP SCREW
21	P-5424	CYLINDER SHAFT NUT (17,117,217,G-213,312,313)
	P-5438	CYLINDER SHAFT NUT (15,115,215,G-311)
22	P-1976	GREASE FITTING
23	P-15288	BLANKET CYLINDER SHAFT RETAINER, RIGHT HAND
24	P-15427	PLATE CYLINDER ADAPTER FLANGE, RIGHT HAND (15,115,215, G-311)
	P-17427	PLATE CYLINDER ADAPTER FLANGE, RIGHT HAND (17,117,217,2000, X-SERIES, G-213,312,313)
25	P-15419	MOLLETON ROLL OPERATING LINK, RIGHT HAND
26	P-8101	LINK SCREW
27	P-7088	COVER STUD
27A	G-7088	COVER STUD (G-213,311,312,313)
28	P-627	WASHER
29	P-55	COVER STUD CAP SCREW (3 PLACES)(THIS SCREW FOR GESTETNER STUD)
	P-57	COVER STUD CAP SCREW (1 PLACE)
30	P-115800	TWO SHEET RECEIVING TRAY (15,115,215,17,117,217,G-311,312)
30A	G-255800	RECEIVING TRAY (G-213,313)
31	P-15475	CONVEYOR JOGGER CAM LEVER ASSEMBLY (INCLUDES ITEMS 31A -34)
31A	P-15479	JOGGER CAM LEVER
32	P-1759	LEVER ROLLER
33	P-8037	ROLLER STUD
34	P-479	NUT
35	P-8102	LEVER STUD
36	P-15509	ADJUSTING PLATE & DRIVE SPROCKET ASSEMBLY (INCLUDES ITEMS 36A - 40)
36A	P-15515	ADJUSTING PLATE
37	P-15532	INTERMEDIATE DRIVE SPROCKET ASSEMBLY (COMES WITH P-1227 BUSHING)
38	P-613	SPROCKET SPACER
39	P-672	RETAINING RING
40	P-9094	SPROCKET STUD
41	P-10915	WASHER
42	P-57	CAP SCREW
43	P-8901	CHAIN (INTERMEDIATE SPROCKET TO FEEDER)
44	P-8900	CHAIN (INTERMEDIATE SPROCKET TO PRINTER)
45	P-15555	POWER DRIVE ASSEMBLY (COMPLETE) INCLUDES ITEMS 45A THROUGH 57.
45A	P-15565	BOTTOM CLUTCH BEARING PLATE
46	P-15558	TOP CLUTCH BEARING PLATE
47	P-5437	EXPANSION PLUG
48	P-774	BEARING
49	P-1223	LARGE PULLEY BUSHING
50	P-15587	CLUTCH PULLEY, LARGE
51	P-12593	CLUTCH SHOE ASSEMBLY (ONLY) (4 PER SET)

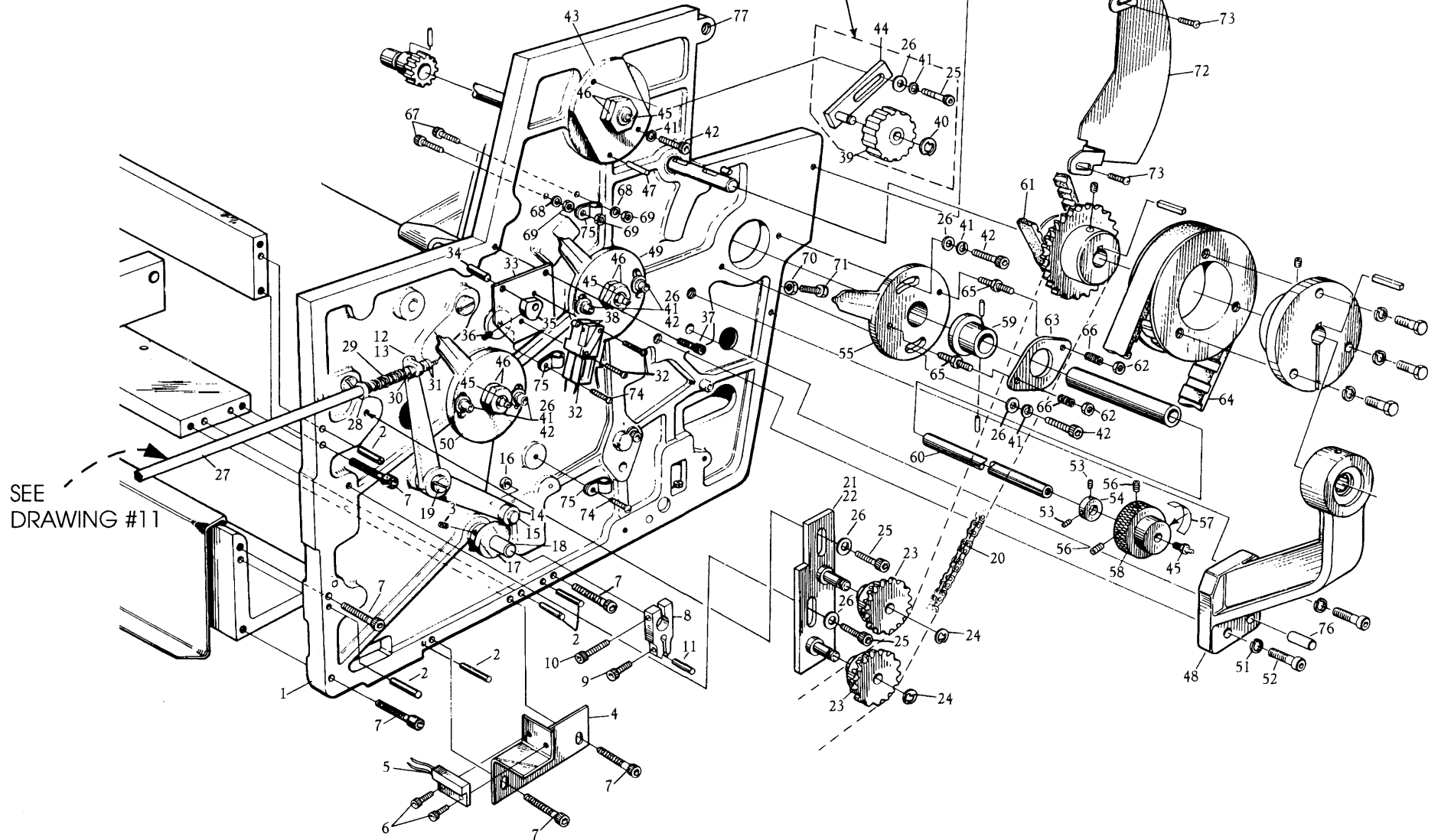
KEY	PART	DESCRIPTION
52	P-15591	CLUTCH SPRING
53	P-550	CLUTCH SHAFT KEY
54	P-15614	CLUTCH SHAFT
55	P-15617	CLUTCH PULLEY, SMALL
56	P-54	PLATE CAP SCREW
57	P-920	CAP SCREW
58	P-4912	V-BELT (CLUTCH TO MOTOR)
59	P-4907	V-BELT (CLUTCH TO DRIVE SHAFT)(17,117,217)
59A	P-4905	V-BELT (CLUTCH TO DRIVE SHAFT) (15,115,215)
59B	G-115574	DRIVE PULLEY & SHAFT ASSEMBLY (COMPLETE) (G-311, 50 HZ) INCLUDES ITEMS 60 THROUGH 66)
59C	G-115577	DRIVE PULLEY & SHAFT ASSEMBLY (COMPLETE) (G-311, 60 HZ)
59D	G-117574	DRIVE PULLEY & SHAFT ASSEMBLY (COMPLETE) (G-312, 50 HZ)
59E	G-117577	DRIVE PULLEY & SHAFT ASSEMBLY (COMPLETE) (G-312, 60 HZ)
59F	G-313574	DRIVE SHAFT ASSEMBLY (G-313, 50 HZ)
59G	G-313577	DRIVE SHAFT ASSEMBLY (G-213, 313, 60 HZ)
60	G-115583	DRIVE SHAFT (FOR REPAIRS) (G-311,312)
60A	G-313583	DRIVE SHAFT (G-213,313)
61	P-5130	DRIVE PULLEY & SPROCKET ASSEMBLY (ONLY) (17,117,217)
	P-5131	DRIVE PULLEY & SPROCKET ASSEMBLY (ONLY) (15,115,215) (FOR REPAIRS) (MUST BE FINISHED DRILLED FOR PIN# P-361, USE 3/16" DRILL)
62	P-361	PIN
63	P-115581	DRIVE SHAFT GEAR, 20T, 20P, (FOR REPAIRS) (CHIEF ONLY) (MUST BE FINISHED DRILLED FOR PIN# P-359, USE 3/16" DRILL)
63A	P-15865	GEAR (G-311,312)
63B	G-15865	GEAR (G-213,313)
64	P-5169	DRIVE PULLEY ASSEMBLY (FOR REPAIRS) (17,117,217,G-213,312,313) MUST BE FINISHED DRILLED FOR PIN# P-361, USE 3/16" DRILL)
64A	P-743	COLLAR (15,115,215) (INCLUDES SET SCREW #P-18)
65	P-359	PIN
66	P-778	BEARING (INNER RACE)
67	P-814	FEEDER SHAFT BUSHING
68	P-788	MAIN DRIVE SHAFT BEARING (OUTER RACE)
68A	P-1255	BUSHING (G-213,311,312,313)
68B	P-1294	BUSHING (CHIEF CAN USE IN PLACE OF P-788 BEARING)
69	P-15807	SHAFT RETAINER (15,115,215,G-311)
70	P-499	NUT (15,115,215,G-311)
71	P-917	CAP SCREW
72	P-608	WASHER
73	P-15541	LOWER REAR SPACER
74	P-15511	UPPER FRONT SPACER
75	P-15146	LOWER FRONT SPACER
75A	G-15146	SUPPORT (G-311,312)
75B	G-313146	SUPPORT (G-213,313)
76	P-15803	SPACER BLOCK
77	P-56	CAP SCREW
78	P-913	CAP SCREW
79	P-315	PIN
80	P-4731	BOTTOM CYLINDER GUARD PIVOT PIN
81	P-115770	INTERLOCK SWITCH BRACKET
82	P-6804	INTERLOCK CAM
83	P-3	SET SCREW
84	P-50	CAP SCREW
85	P-4471	LIMIT SWITCH
86	P-230	BINDING HEAD SCREW
87	P-9785	SPLICE BOX
87A	G-9785	BRACKET FOR WIRING HARNESS (G-311,312,313)
88	P-9733	SPLICE BOX COVER
89	P-1062	NUT (SPACER)
90	P-51	CAP SCREW
91	P-625	LOCK WASHER
92	P-566	WASHER
93	P-4808	WIRE NUT

"P-" NUMBERS MAY BE INTERCHANGEABLE FOR BOTH CHIEF & GESTETNER AS INDICATED IN THE DESCRIPTION.

"G-" NUMBERS ARE FOR GESTETNER ONLY.

DRAWING #18
PRINTER SIDE PLATE - RIGHT HAND (NON-OPERATORS SIDE)
SUPER CHIEF 2000, X-SERIES

NOTE: These parts to be used
with water unit only
along with item #61.



SEE
DRAWING #11

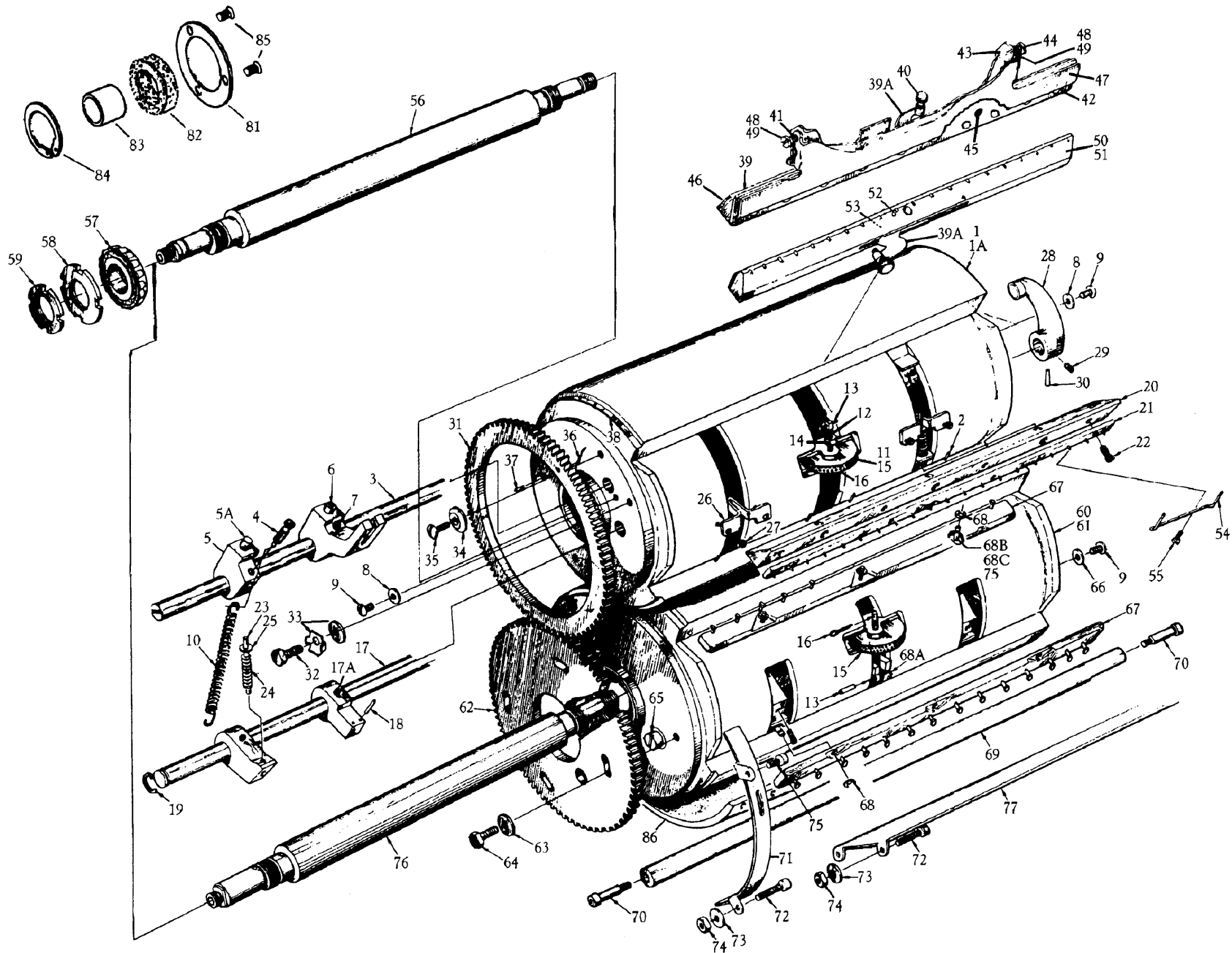
DRAWING #18
PRINTER SIDE FRAME - RIGHT HAND (NON-OPERATORS SIDE)
SUPER CHIEF 2000, X-SERIES

KEY	PART	DESCRIPTION
1	P-255916	PRINTER SIDE, RIGHT HAND ASSEMBLY
2	P-315	SPIRAL PIN
3	P-25	SET SCREW
4	P-255063	BRACKET
5	P-4414	PROXIMITY SWITCH
6	P-5477	CAP SCREW
7	P-913	CAP SCREW
8	P-255062	SUPPORT
9	P-38	SCREW
10	P-44	SCREW
11	P-5314	MAGNET
12	P-15475	CONVEYOR JOGGER CAM LEVER ASSEMBLY
13	P-15479	CONVEYOR JOGGER CAM LEVER
14	P-1759	ROLLER
15	P-8037	STUD
16	P-479	NUT
17	P-15234	CONVEYOR CAM JOGGER
18	P-7138	STUD, CLOCK SWITCH
19	P-8102	LEVER STUD
20	P-8915	DRIVE CHAIN
21	P-255509	TAKE-UP PLATE ASSEMBLY
22	P-255515	TAKE-UP PLATE SUB-ASSEMBLY
23	P-8611	SPROCKET ASSEMBLY
24	P-672	"E" RING
25	P-57	CAP SCREW
26	P-10915	WASHER
27	P-15443	CONVEYOR JOGGER PUSH ROD
28	P-10915	PUSH ROD WASHER
29	P-15347	PUSH ROD SPRING
30	P-5526	PUSH ROD SLEEVE
31	P-469	ADJUSTING NUT
32	P-9773	ACTUATOR ARM ASSEMBLY (INCLUDES 2 SCREWS)
33	P-115770	INTERLOK SWITCH BRACKET
34	P-4731	BOTTOM CYLINDER GUARD PIVOT PIN
35	P-6804	INTERLOK CAM
36	P-3	SET SCREW
37	P-50	CAP SCREW
38	P-4070	SWITCH
39	P-5167	PULLEY ASSEMBLY
39A	P-1212	BUSHING (COMES WITH #39)
40	P-670	"E" RING
41	P-627	LOCK WASHER
42	P-55	CAP SCREW
43	P-17427	PLATE CYLINDER ADAPTER FLANGE
44	P-50561	PLATE ASSEMBLY
45	P-1976	GREASE FITTING
46	P-5424	CYLINDER SHAFT NUT
47	P-379	PIN
48	P-255565	BEARING HOUSING ASSEMBLY (X-SERIES)
48A	P-5838	NEEDLE BEARING FOR #48
49	P-15	BLANKET CYLINDER SHAFT RETAINER
50	P-15304	IMPRESSION CYLINDER SHAFT RETAINER
51	P-628	LOCK WASHER
52	P-70	SCREW
*53	P-8	SET SCREW
*54	P-6716	SIDE REGISTER TOP
*55	P-215304	PLATE CYLINDER ECCENTRIC CAP
*56	P-22	SET SCREW
*57	P-7421	DECAL
*58	P-215270	KNOB, SIDE REGISTER

KEY	PART	DESCRIPTION
*59	P-215319	EXTENSION ASSEMBLY
*60	P-215320	SHAFT, SIDE REGISTER
*61	P-4944	TIMING BELT (TO WATER) (2000, X-SERIES)
*62	P-455	NUT
*63	P-215709	RETAINER, SIDE REGISTER
64	P-4945	BELT (TO MOTOR)
65	P-11594	RETAINER STUD
66	P-25219	SPRING
67	P-42	CAP SCREW
68	P-624	LOCK WASHER
69	P-466	NUT
70	P-492	JAM NUT
71	P-1471	BUMPER SCREW
72	P-215665	RIGHT HAND GUARD
73	P-136	BUTTON HEAD SCREW
74	P-230	BUTTON HEAD SCREW
75	P-1840	CABLE CLAMP, NYLON
76	P-3035	DOWEL PIN
77	P-1222	BUSHING (X-SERIES)
		* FOR MODELS 2215 , 2217, 215 & 217 ONLY PARTS NOT NEEDED FOR ONE COLOR.

"P-" NUMBERS MAY BE INTERCHANGEABLE FOR BOTH CHIEF & GESTETNER AS INDICATED IN THE DESCRIPTION.
"G-" NUMBERS ARE FOR GESTETNER ONLY.

DRAWING #19
MASTER (PLATE) & BLANKET CYLINDERS, 1ST UNIT
15, 115, 215 / GESTETNER 311



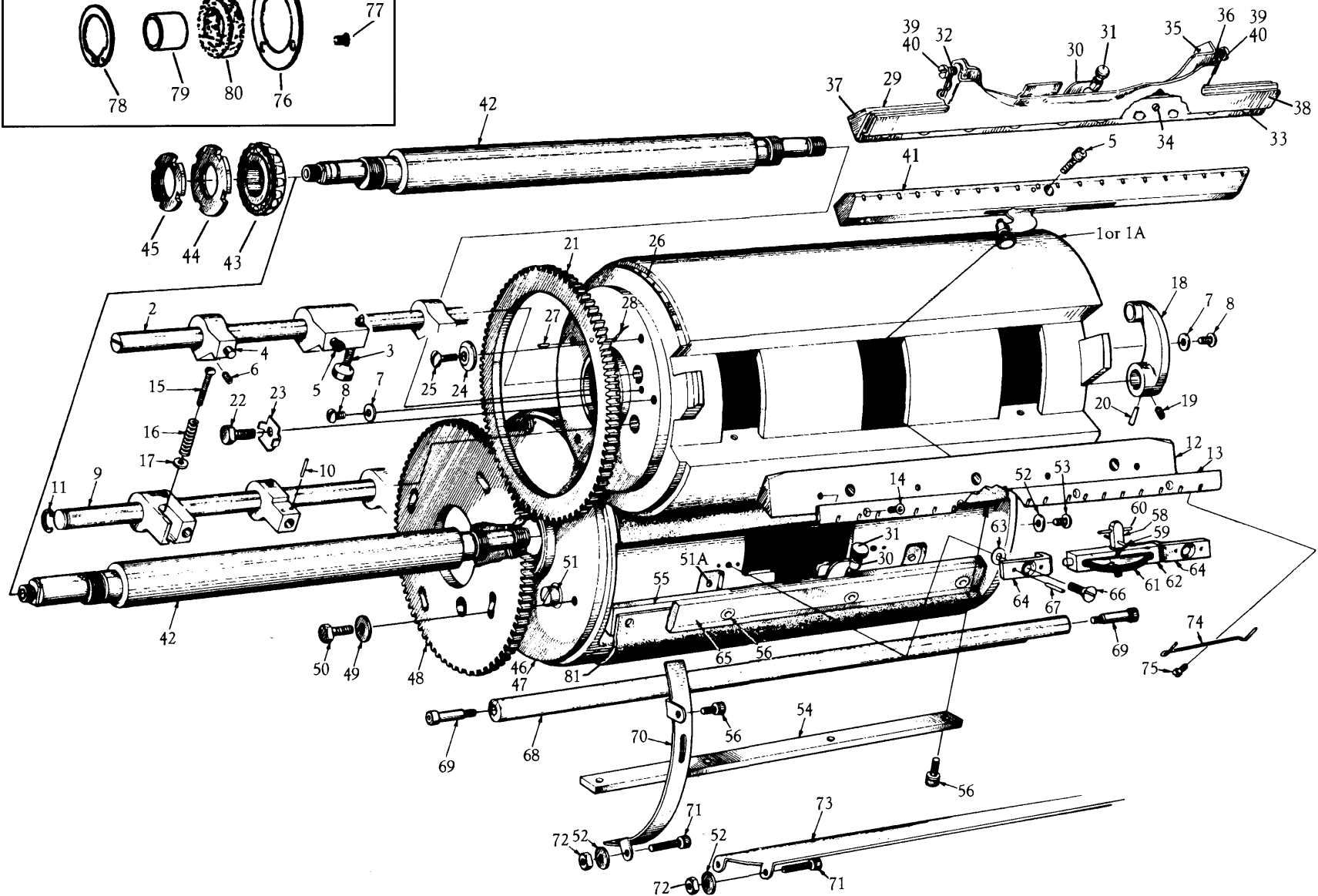
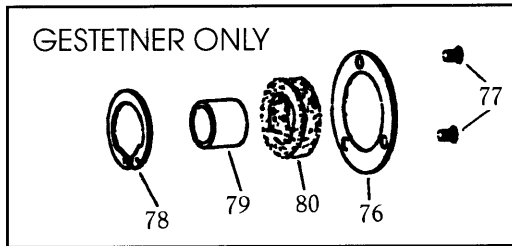
PAGE #19
MASTER (PLATE) & BLANKET CYLINDERS, 1ST UNIT
15, 115, 215, GESTETNER 311

KEY	PART	DESCRIPTION
1	P-15697	PLATE CYLINDER ASSEMBLY (CHIEF 15,115,215)
1A	P-15310	PLATE CYLINDER ONLY - CUSTOMER FURNISHED (CHIEF 15,115,215)
	P-15311	PLATE CYLINDER ONLY - FAST EXCHANGE (CHIEF 15,115,215)
2	P-10447	STOP PIN (4)
3	P-15788	TENSION ARM ASSEMBLY (ONLY) (15,115,215, 1ST HEAD)
4	P-6094	TENSION GUIDE ARM SCREW (15,115,215)
5	P-15805	BAR GUIDE BLOCK ASSEMBLY
5A	P-4722	TENSION LEVER PIN
6	P-43	PLATE CYLINDER LEVER CAP SCREW-NEW STYLE
7	P-866	TENSION LEVER SCREW
8	P-576	WASHER-HOLDS IN ITEM #17.
9	P-208	SCREW (CHIEF)
9	P-138	SCREW (GESTETNER)
10	P-15762	TENSION ARM SPRING
10A	P-15351	CLAMP ACTUATING SPRING
11	P-15744	TENSION SCREW ASSEMBLY (15,115,215)
12	P-15861	TENSION SCREW ASSEMBLY (ONLY) (15,115,215, G-311)
12A	P-374	ROLL PIN (ALL MODELS)
13	P-389	ROLL PIN (15,15,215, G-311)
14	P-11544	TENSION NUT
15	P-488	LOCK NUT
16	P-339	TENSION SCREW COTTER PIN
17	P-15435	PIVOT SHAFT ASSEMBLY (ONLY) (15,115,215) (AS SHOWN WITH SET SCREWS (NEED 3))
17A	P-5478	SET SCREW (NEED 3)
18	P-10425	PIVOT PINS
19	P-687	SHAFT RETAINING RING
20	P-115739	BODY CLAMP ASSEMBLY (ONLY)
21	P-15760	PIN BAR 20 POINT
22	P-115	CAP SCREWS (4)
23	P-357	SPRING GUIDE PIN (15,115,215)
24	P-15351	CLAMP ACTUATING SPRING
25	P-566	SPRING RETAINING WASHER
26	P-15391	SPRING RETAINING BRACKET (15,115,215)
27	P-36	SPRING RETAINING BRACKET SCREW (NEED 4)
28	P-15354	CAM LEVER ASSEMBLY ONLY (INCLUDES ITEM 29)
29	P-3	SET SCREW
30	P-4	PIVOT SHAFT PIN
31	P-15313	PLATE CYLINDER GEAR (15)
	P-115313	PLATE CYLINDER GEAR (115,215)
32	P-5381	SCREW (15)
	P-11589	SCREW (115,215)
33	P-1373	WASHER (15)
	P-115807	CLAMP LOCK (115,215)
34	P-9901	GEAR RETAINER (NEED 3) (15)
	P-6934	GEAR RETAINER (115,215)
35	P-224	GEAR SCREW (NEED 3)
36	P-15284	INDEX POINTER
37	P-10435	INDEX POINTER PIN
38	P-15208	SCALE (15,115,215)
39	P-15367	TAIL CLAMP ASSEMBLY (AS SHOWN) (ALL MODELS)
39A	P-15761	LATCH ASSEMBLY
40	P-1103	PIVOT SCREW
41	P-15309	SPRING, RIGHT HAND
42	P-15341	BOTTOM PLATE
43	P-1065	DRIVE SCREW
44	P-15724	SPRING, LEFT HAND
45	P-652	MACHINE SCREW
46	P-15797	CLAMP SUPPORT ASSEMBLY
47	P-15299	TOP PLATE ASSEMBLY

KEY	PART	DESCRIPTION
48	P-11393	SPACER
49	P-10304	SCREW
50	P-15746	20 PT. PLATE RETAINING TAIL CLAMP ASSEMBLY (INCLUDES #39A)
51	P-15751	BAR (20 POINT)
52	P-378	ROLL PIN
53	P-15333	SPRING (NOT SHOWN)
54	P-15357	1/4" BITE STOP
55	P-192	1/4" BITE STOP SCREW
56	P-15857	PLATE CYLINDER SHAFT (15,115,215)
57	P-1136	BEARING
58	P-5493	PLATE CYLINDER BEARING RETAINER NUT
59	P-5497	PLATE BEARING RETAINER LOCK NUT
60	P-15246	BLANKET CYLINDER ASSEMBLY (CHIEF 115,215)
61	P-15993	RESURFACED BLANKET CYLINDER ONLY - CUSTOMER FURNISHED.
	P-15999	RESURFACED BLANKET CYLINDER ONLY - FAST EXCHANGE.
62	P-15214	BLANKET CYLINDER GEAR (15, G-311) (14-1/2" P.A.)
	P-115214	BLANKET CYLINDER GEAR (115,215) (20" P.A.)
63	P-1885	WASHER
64	P-87	HEX HEAD SCREW (15, G-311)
	P-88	HEX HEAD SCREW (115,215)
65	P-15385	CYLINDER PIVOT SHAFT ASSEMBLY (15,115,215, G-311)
66	P-574	WASHER-HOLDS IN ITEM #65.
67	P-15922	BLANKET CYLINDER RETAINING BAR (13 POINT) (15,115,215, G-311)
67A	P-17746	TAKE-UP BAR CLAMP ASSEMBLY (ONLY)
68	P-666	BLANKET CYLINDER RETAINING RING
68A	P-15749	TENSION SCREW RETAINING CLIP
68B	P-9202	TRAILING END PIN
68C	P-576	WASHER-UNDER P-9202 #68B.
69	P-15669	BLANKET CYLINDER GUARD
70	P-74	GUARD MOUNTING SCREW
71	P-15178	PLATE CYLINDER GEAR GUARD
72	P-51	CAP SCREW
73	P-574	WASHER
74	P-473	NUT
75	P-49	CAP SCREW
76	P-15290	BLANKET CYLINDER SHAFT (15,115,215, G-311)
77	P-15297	PLATE CYLINDER GUARD
78	P-17755	TENSION SUPPORT BRACKET
79	P-990	SCREW
80	P-379	PIN
81	P-9910	RETAINER PLATE (GESTETNER ONLY)
82	P-11733	FELT OIL RETIANER (GESTETNER ONLY)
83	P-11402	STEEL SLEEVE (GESTETNER ONLY)
84	P-10816	RETAINING RING (GESTETNER ONLY)
85	P-117	FLAT HEAD SCREW (GESTETNER ONLY)
86	P-30061	COMPRESSIBLE BLANKET (15,115,215, G-311)

"P-" NUMBERS MAY BE INTERCHANGEABLE FOR BOTH CHIEF & GESTETNER AS INDICATED IN THE DESCRIPTION.
"G-" NUMBERS ARE FOR GESTETNER ONLY.

DRAWING #20
MASTER (PLATE) & BLANKET CYLINDERS, 1ST UNIT
17, 117, 217 / GESTETNER 213, 312, 313



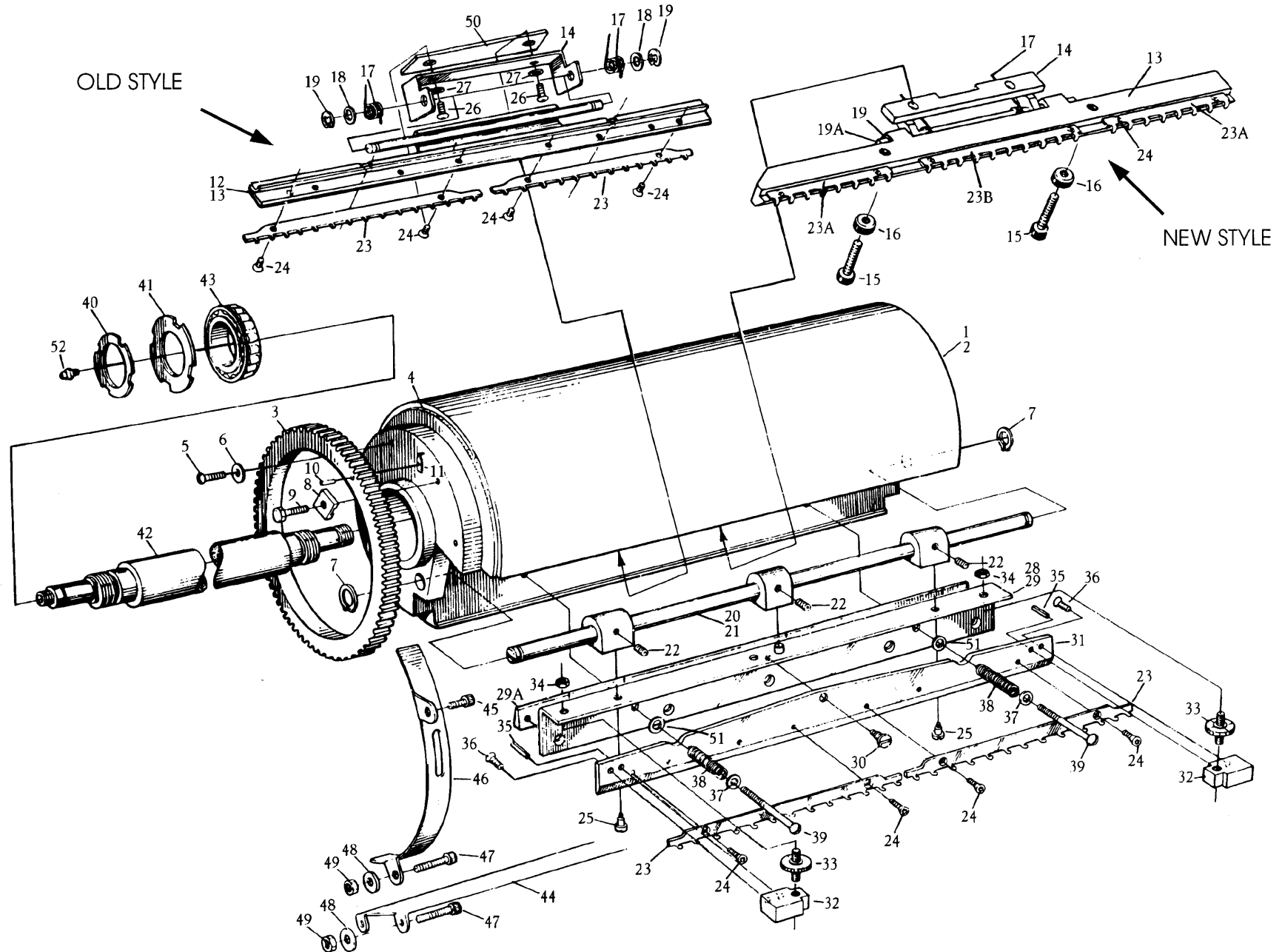
PAGE #20
MASTER (PLATE) & BLANKET CYLINDERS, 1ST UNIT
17, 117, 217, GESTETNER 213, 312, 313

KEY	PART	DESCRIPTION
1	P-17697	PLATE CYLINDER ASSEMBLY (CHIEF 17,117,217)
1A	P-17310	PLATE CYLINDER ONLY - CUSTOMER FURNISHED (CHIEF 17,117,217)
	P-17311	PLATE CYLINDER ONLY - FAST EXCHANGE (CHIEF 17,117,217)
2	P-17788	TENSION ARM ASSEMBLY (17,117,217)
3	P-11468	TENSION GUIDE ARM SCREW
4	P-4722	TENSION LEVER PIN
5	P-43	PLATE CYLINDER LEVER CAP SCREW
6	P-866	TENSION LEVER SCREW (NEED 2)
7	P-576	WASHER (HOLDS ITEM #2 IN PLACE)
8	P-208	SCREW
9	P-17435	PIVOT SHAFT ASSEMBLY (ONLY)
10	P-10425	PIVOT PIN
11	P-687	SHAFT RETAINING RING
12	P-17739	CLAMP BODY ASSEMBLY (ONLY)
13	P-15760	PIN BAR 20 POINT
14	P-115	CAP SCREW (4)
15	P-5359	SPRING GUIDE SCREW
16	P-15351	CLAMP ACTUATING SPRING
17	P-566	SPRING RETAINING WASHER
18	P-15354	CAM LEVER ASSEMBLY (ONLY)
19	P-3	SET SCREW - NO REPLACEMENT NEEDED
20	P-441	PIVOT SHAFT PIN
21	P-15313	PLATE CYLINDER GEAR
22	P-11589	CAP SCREW
23	P-115807	CLAMP LOCK
24	P-6934	GEAR RETAINER
25	P-224	GEAR SCREW
26	P-15284	INDEX POINTER
27	P-10435	INDEX POINTER PIN
28	P-7409	SCALE
29	P-15367	TAIL CLAMP ASSEMBLY
30	P-15761	LATCH ASSEMBLY
31	P-1103	PIVOT SCREW
32	P-15309	SPRING, RIGHT HAND
33	P-15341	BOTTOM PLATE
34	P-652	MACHINE SCREW
35	P-1065	DRIVE SCREW
36	P-15724	SPRING, LEFT HAND
37	P-15797	CLAMP SUPPORT ASSEMBLY
	G-15797	CLAMP SUPPORT ASSEMBLY (G-213, 313)
38	P-15299	TOP PLATE ASSEMBLY
39	P-11393	SPACER
40	P-10304	SCREW
41	P-15746	20 POINT PLATE RETAINING TAIL CLAMP ASSEMBLY
42	P-15290	PLATE & BLANKET CYLINDER SHAFT
	G-15290	BLANKET CYLINDER SHAFT ONLY
43	P-1136	BEARING
44	P-5493	PLATE CYLINDER BEARING RETAINER NUT
45	P-5497	PLATE BEARING RETAINER LOCKNUT
46	P-17246	BLANKET CYLINDER ASSEMBLY (CHIEF 117,217)
47	P-17190	RESURFACED BLANKET CYLINDER (FAST EXCHANGE)
	P-17192	RESURFACED BLANKET CYLINDER (CUSTOMER FURNISHED)
48	P-115214	BLANKET CYLINDER GEAR (117,217,G-312)
	G-15214	BLANKET CYLINDER GEAR (G-213,313)
	P-15214	BLANKET CYLINDER GEAR (17)
49	P-10915	WASHER
50	P-87	HEX HEAD SCREW (17)
	P-88	HEX HEAD SCREW (117,217)
51	P-17385	CYLINDER PIVOT SHAFT ASSEMBLY (17,117,G-312)
	G-15385	CYLINDER PIVOT SHAFT ASSEMBLY (G-213,313)

KEY	PART	DESCRIPTION
51A	P-866	SET SCREW (NEED 3)
52	P-574	CYLINDER PIVOT SHAFT WASHER
53	P-208	CYLINDER PIVOT SHAFT SCREW (SLOTTED)
	P-138	CYLINDER PIVOT SHAFT SCREW (ALLEN)
54	P-17922	HEAD CLAMP BAR
	G-15922	HEAD CLAMP BAR (G-213,313)
55	P-17746	TAKE-UP BAR CLAMP ASSEMBLY (COMES WITH #30 & #31)
56	P-49	SCREW
57	P-17744	TENSION SCREW ASSEMBLY COMPLETE
58	P-17861	TENSION SCREW ASSEMBLY ONLY (COMES WITH ITEMS #59 & #60)
59	P-374	ROLL PIN
60	P-380	ROLL PIN
61	P-11544	TENSION NUT
62	P-17749	NUT SUPPORT
63	P-566	TENSION WASHER
64	P-17755	TENSION SUPPORT BRACKET
65	P-17922	TAIL CLAMP BAR (17,117,G-312)
66	P-990	SCREW
67	P-379	PIN
68	P-15669	BLANKET CYLINDER GUARD
69	P-74	GUARD MOUNTING SCREW
70	P-15178	PLATE CYLINDER GEAR GUARD
71	P-51	CAP SCREW
72	P-473	NUT
73	P-15297	PLATE CYLINDER GUARD
74	P-15357	STOP SPRING
75	P-192	MACHINE SCREW
76	P-9910	RETAINING PLATE (GESTETNER)
77	P-117	FLAT HEAD SCREW (GESTETNER)
78	P-10816	RETAINING RING (GESTETNER)
79	P-11402	SLEEVE (GESTETNER)
80	P-11733	FELT OIL RETAINER (GESTETNER)
81	P-30096	COMPRESSIBLE BLANKET

"P-" NUMBERS MAY BE INTERCHANGEABLE FOR BOTH CHIEF & GESTETNER AS INDICATED IN THE DESCRIPTION.
"G-" NUMBERS ARE FOR GESTETNER ONLY.

DRAWING 21 MASTER (PLATE) CYLINDER, 1ST UNIT SUPER CHIEF 2000, X-SERIES



OLD STYLE

NEW STYLE

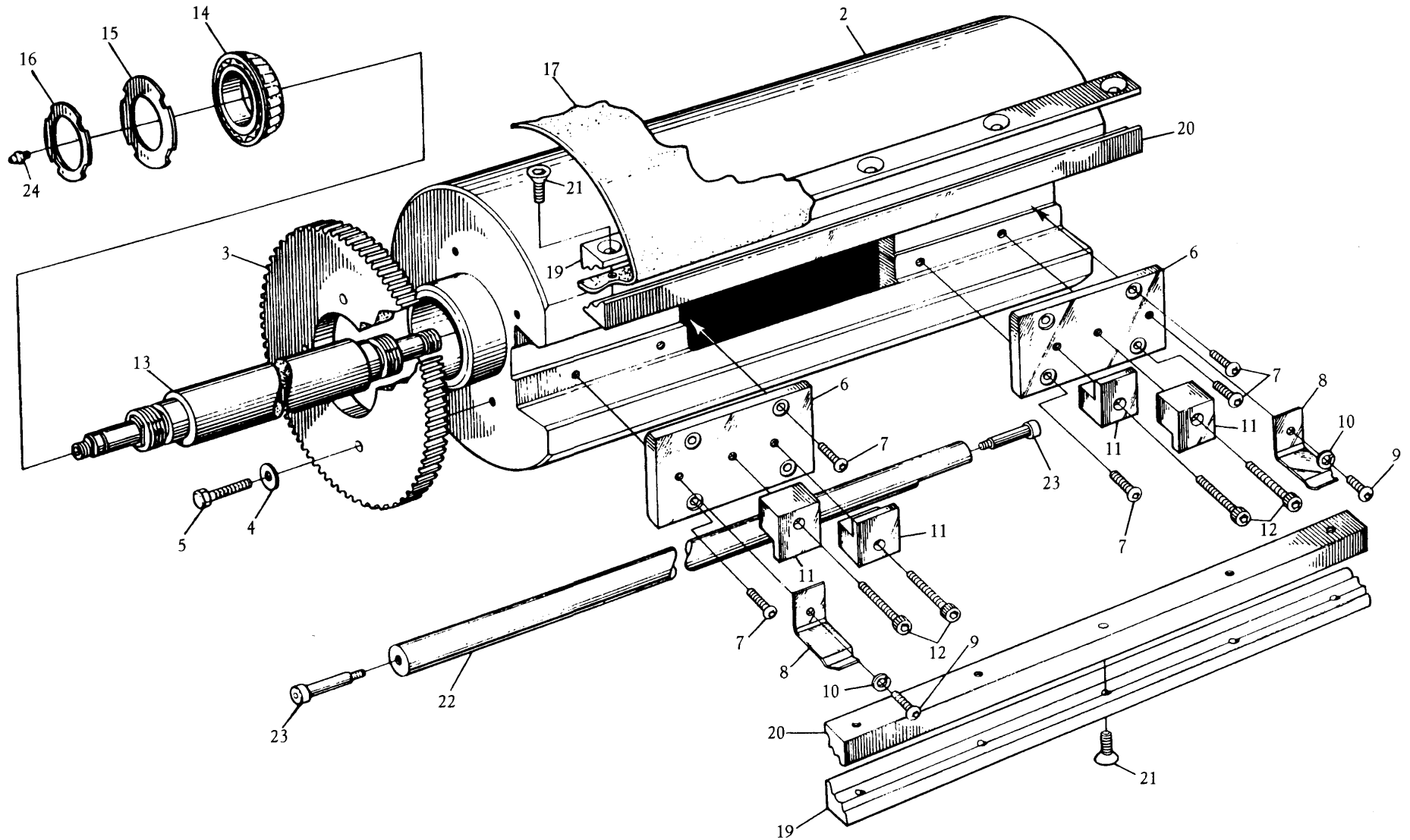
PAGE #21
MASTER (PLATE) CYLINDER, 1ST UNIT
APACHE, SUPER CHIEF 2000, X-SERIES

KEY	PART	DESCRIPTION
1	P-255697	PLATE CYLINDER ASSEMBLY (2000 15" Image, 2115,2215)
	P-277697	PLATE CYLINDER ASSEMBLY (2000 17" Image, 2117,2217)
2	P-255910	PLATE CYLINDER ONLY-CUSTOMER FURNISHED (2000 15" Image, 2115,2215)
	P-277910	PLATE CYLINDER ONLY-CUSTOMER FURNISHED (2000 17" Image, 2117,2217)
	P-255911	PLATE CYLINDER ONLY-FAST EXCHANGE (2000 15" Image, 2115,2215)
	P-277911	PLATE CYLINDER ONLY-FAST EXCHANGE (2000 17" Image, 2117,2217)
3	P-255313	CYLINDER GEAR
4	P-15208	SCALE
5	P-270	MACHINE SCREW
6	P-10926	WASHER
7	P-705	RETAINING RING
8	P-255807	CLAMP
9	P-11589	RETAINER SCREW
10	P-10435	ROLL PIN
11	P-15284	POINTER
12	NO #	TAIL CLAMP COMPLETE (OLD STYLE) (OBSOLETE) USE P-255367.
	P-255367	TAIL CLAMP COMPLETE (NEW STYLE) Also comes with #24, P-836 & #23A, 23B.
13	P-255341	BRACKET COMPLETE
14	P-255729	BRACKET ONLY
15	P-11468	THUMB SCREW, 10-24 THREAD (OLD STYLE)
	P-11498	THUMB SCREW, 1/4-28 THREAD (NEW STYLE)
16	P-11523	LOCK NUT, 10-24 THREAD (OLD STYLE)
	P-11549	LOCK NUT, 1/4-28 THREAD (NEW STYLE)
17	P-255724	SPRING
18	P-605	WASHER
19	P-669	RETAINING RING
19A	P-255793	SHAFT
20	P-255435	PIVOT SHAFT ASSEMBLY
21	P-255436	SHAFT
22	P-5358	SET SCREW
23	P-255760	PIN BAR
23A	P-255323	PIN BAR-END - Comes with P-255367.
23B	P-255739	PIN BAR-CENTER - Comes with P-255367.
24	P-5403	FLAT HEAD SCREW-FOR OLD STYLE
	P-836	BUTTON HEAD SCREW-FOR NEW STYLE - Comes with P-255367.
25	P-8132	SHOULDER SCREW
26	P-143	CAP SCREW
27	P-627	LOCK WASHER
28	P-255788	HOME POSITION CLAMP ASSEMBLY
	P-277788	HOME POSITION CLAMP ASSEMBLY
29	P-255353	CLAMP BAR ASSEMBLY
29A	P-255389	BAR
30	P-8133	SHOULDER SCREW
31	P-255359	PIN BAR SUPPORT
32	P-255755	ADJUSTING BLOCK
33	P-11511	THUMB SCREW
34	P-521	LOCKING NUT
35	P-378	SPRING PIN
36	P-117	SCREW
37	P-572	WASHER
38	P-15351	SPRING
39	P-5359	GUIDE SCREW
40	P-5497	LOCK NUT-LEFT & RIGHT SIDE
41	P-5493	RETAINER NUT-LEFT & RIGHT SIDE
42	P-255290	PLATE CYLINDER SHAFT
43	P-1136	BEARING-LEFT & RIGHT SIDE
44	P-255297	PLATE CYLINDER GUARD
45	P-49	CAP SCREW
46	P-255178	PLATE CYLINDER GEAR GUARD
47	P-51	CAP SCREW

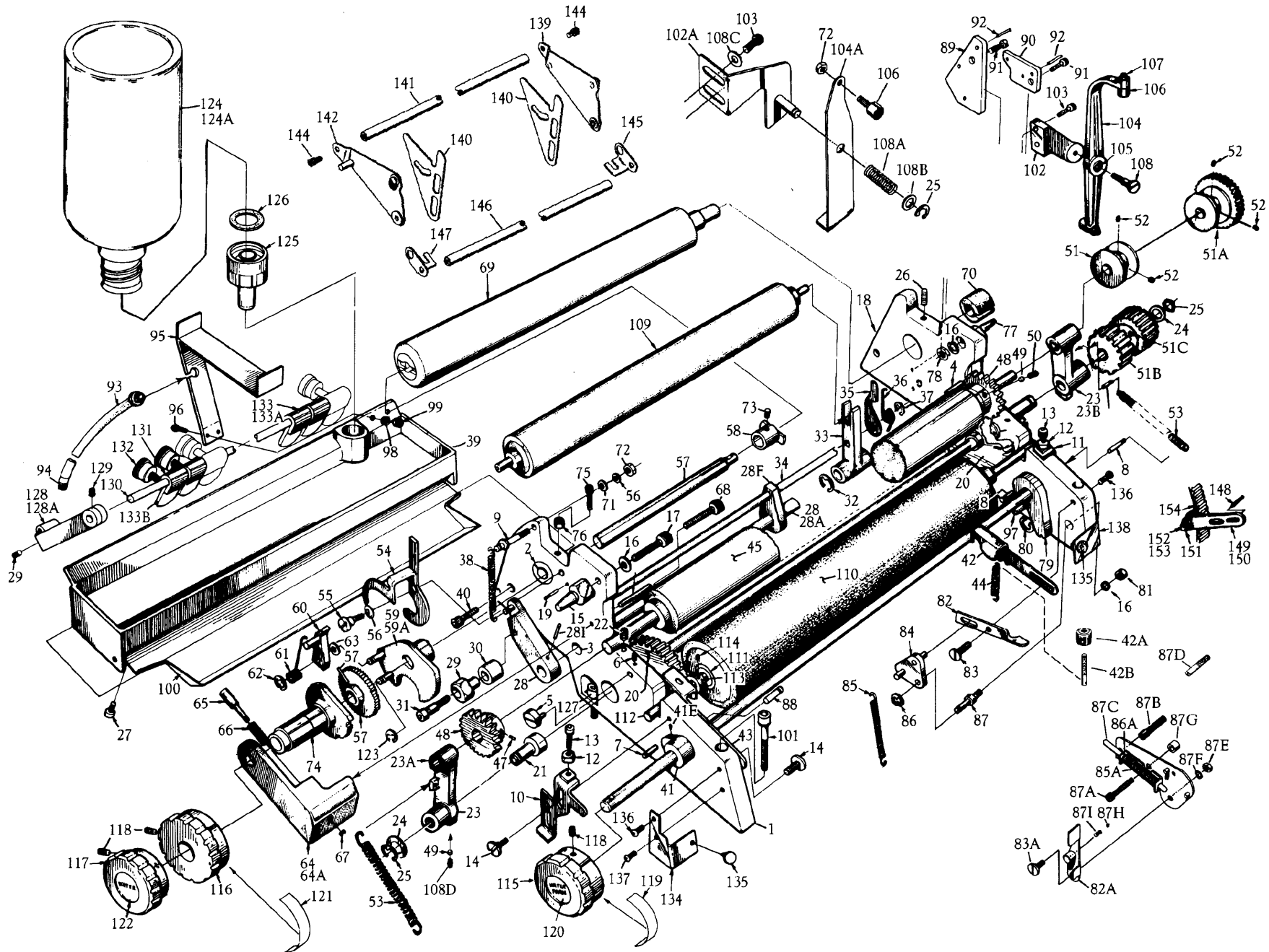
KEY	PART	DESCRIPTION
48	P-574	WASHER
49	P-473	NUT
50	P-255357	SHIM
51	P-1443	SPACER
52	P-1976	GREASE FITTING - GOES IN BOTH ENDS OF CYLINDER SHAFT.

"P-" NUMBERS MAY BE INTERCHANGEABLE FOR BOTH CHIEF & GESTETNER AS INDICATED IN THE DESCRIPTION.
"G-" NUMBERS ARE FOR GESTETNER ONLY.

DRAWING #22
BLANKET CYINDER, 1ST UNIT
APACHE, SUPER CHIEF 2000, X-SERIES



DRAWING #23
WATER, 1ST. UNIT (continued on next 2 pages)
15, 115, 215, 17, 117, 217 / GESTETNER 213, 311, 312, 313



WATER, 1ST UNIT (continued on next 2 pages)
15, 115, 215, 17, 117, 217 / GESTETNER 213, 311, 312, 313

KEY	PART	DESCRIPTION	KEY	PART	DESCRIPTION
1	P-15350	WATER UNIT SIDE FRAME, LEFT HAND (15,115,215,17,117,217)	28G	P-15344	LEVER (MUST BE FINISHED DRILLED) (15,115,215,17,117,217)
1A	G-15350	SIDE FRAME (G-213,311,312,313)	28H	G-115344	LEVER (G-213-311-312-313)
2	P-5525	FRICTION BEARING	28I	P-350	ROLL PIN (15,115,215,17,117,217,G-213,311,312,313)
3	P-1204	DUCTOR SHAFT BUSHING	28J	P-611	WASHER (15,115,215,17,117,217)
4	P-10624	DUCTOR PIVOT STOP PIN	28K	G-15344	PLATE (NOT PART OF ASSEMBLY) (G-213,311,312,313)
5	P-4528	OSCILLATING ADJUSTING ECCENTRIC	28L	P-671	RETAINING RING (G-213,311,312,313)
5A	P-7144	STUD (G-213,311,312,313)	29	P-4500	DUCTOR ROLLER STUD
6	P-8	SET SCREW (15,115,215,17,117,217)	29A	G-4500	ROLLER STUD (G-213,311,312,313)
7	P-10665	OSCILLATING BRACKET SPRING PEG (15,115,215,G-311)	30	P-1450	CAM ROLLER
8	P-3037	RELEASE ARM SPRING PIN (15,115,215)	30A	P-5560	CAM (G-213,311,312,313)
9	P-6105	CYLINDER GUARD LINK PIN (15,115,215,17,117,217,2000-X)	31	P-73	CAM ROLLER SCREW
10	P-15392	MOLLETON CONTROL LINK ASSEMBLY, LEFT HAND (ONLY) INCLUDES ITEMS 12 & 13	31A	P-45	CAP SCREW (G-213,311,312,313)
11	P-15462	MOLLETON CONTROL LINK ASSEMBLY, RIGHT HAND (ONLY) INCLUDES ITEMS 12 & 13	32	P-671	RETAINING RING
12	P-469	NUT	33	P-15607	DUCTOR ROLLER ARM (15,115,215,17,117,217,G-312)
13	P-46	CAP SCREW	33A	P-15572	DUCTOR ROLLER ARM (G-213,311,313)
13A	P-1074	THUMB SCREW (G-213,311,312,313)	34	P-15340	YOKE ROLLER SHAFT (15,115,215,17,117,217,G-312)
13B	P-11034	PLASTIC WASHER (G-213,311,312,313)	34A	P-15550	YOKE SHAFT (G-311)
13C	P-12997	SPRING (G-213,311,312,313)	34B	P-255481	YOKE SHAFT (G-213,313)
13D	P-573	WASHER (G-213,311,312,313)	35	P-15551	ROLLER RETAINER LATCH
14	P-8097	CONTROL LINK SHOULDER SCREW (USED ON BOTH SIDES FOR GESTETNER)	36	P-15331	LATCH SPRING, RIGHT HAND
15	P-7088	COVER STUD	P-15336	LATCH SPRING, LEFT HAND	
15A	G-7088	COVER STUD (G-213,311,312,313)	37	P-668	RETAINING RING
16	P-627	WASHER	38	P-15328	WATER DUCTOR ROLLER SPRING
17	P-57	CAP SCREW	38A	P-36814	SPRING (G-213,311,312,313)
18	P-15438	WATER UNIT SIDE FRAME, RIGHT HAND (15,115,215,17,117,217)	39	P-115316	WATER TRAY
18A	G-15438	SIDE FRAME (G-213,311,312,313)	39A	G-115316	WATER TRAY (G-311,312)
19	P-382	STOP LEVER STOP PIN	39B	G-213316	WATER TRAY (G-213)
20	P-115358	WATER UNIT IDLER GEAR ASSEMBLY (15,115,215)	39C	G-313316	WATER TRAY (G-313)
20A	P-15358	WATER UNIT IDLER GEAR ASSEMBLY (G-311)	40	P-51	CAP SCREW
20B	P-15369	SHAFT (15,115,215,G-311)	41	P-115544	RELEASE SHAFT & CAM ASSEMBLY (15,115,215,17,117,G-311,312)
20C	P-115368	GEAR (15,115,215)	41A	G-313544	CAM SHAFT ASSEMBLY (G-213,313)
20D	P-15368	GEAR (G-311)	41B	P-115886	SHAFT (15,115,215,17,117,217,G-311,312)
20E	P-381	ROLL PIN (15,115,215,G-311)	41C	G-313886	SHAFT (G-213,313)
21	P-9095	IDLER BUSHING ASSEMBLY (15,115,215,G-311)	41D	P-15554	CAM, LEFT HAND & RIGHT HAND (MUST BE FINISHED DRILLED)
21A	P-821	BUSHING (COMES WITH ITEM #21)	41E	P-382	ROLL PIN (FOR CAMS)
22	P-829	SET SCREW (15,115,215,G-213, 311,312,313)	41F	P-349	ROLL PIN
23	P-15434	WATER OSCILLATOR ARM ASSEMBLY	42	P-15738	MOLLETON ROLL SPRING RELEASE ARM, RIGHT HAND
	P-17434	OSCILLATING ARM ASSEMBLY, LEFT HAND (17,117,217,G-312,313)	42A	P-11534	THUMB NUT - FOR RELEASE ARM
23A	P-1204	BUSHING (COMES WITH ITEM #23)	42B	P-6081	ADJUSTING SCREW - GOES THRU ITEM #42 & CONNECTS TO ITEM #44.
23B	P-17355	WATER OSCILLATOR ARM SHAFT ASSEMBLY (17,117,217,G-312)	43	P-15878	MOLLETON ROLL SPRING RELEASE ARM, LEFT HAND
	G-17355	WATER OSCILLATOR ARM SHAFT ASSEMBLY, LEFT HAND & RIGHT HAND (G-213-313)	44	P-15896	RELEASE ARM SPRING
24	P-604	WASHER (15,115,215,G-311)	45	P-150850	WATER OSCILLATING ROLLER ASSEMBLY (15,115,215) (INCLUDES ITEMS 46 THROUGH 50)
	P-10879	SPACER (IF REQUIRED) (17,117,217)		P-170850	WATER OSCILLATING ROLLER (17,117,217,G-312)
25	P-670	RETAINING RING (15,115,215,G-311)		G-150850	WATER OSCILLATING ROLLER ASSEMBLY (G-311)
	P-1141	RETAINING RING (17,117,217)		G-313850	WATER OSCILLATING ROLLER ASSEMBLY (G-213,313)
26	P-870	SET SCREW (15,115,215)	47	P-386	GEAR PIN
27	P-49	CAP SCREW	48	P-15748	ROLLER GEAR 29T, 20° Pressure Angle (115,215)
28	P-15424	WATER DUCTOR ASSEMBLY (COMPLETE) (15,115,215,17,117,217) INCLUDES ITEMS 28A THROUGH 37		P-15758	ROLLER GEAR 29T, 14-1/2° Pressure Angle (15, G-311)
28A	P-15430	WATER DUCTOR SHAFT SUB-ASSEMBLY (15,115,215,17,117,217)	49	P-1072	GEAR ADJUSTING PLUG
28A	G-15430	WATER DUCTOR SHAFT SUB-ASSEMBLY (G-311, 312)	50	P-14	GEAR SET SCREW
28B	G-313430	WATER DUCTOR SHAFT SUB-ASSEMBLY (G-213,313)	51	P-15507	OSCILLATOR SPOOL (15,115,215,G-311)
28C	P-15540	SHAFT (15,115,215,17,117,217)	51A	P-17440	GEAR (G-213,312,313)
28D	G-15540	SHAFT (G-311,312)		P-217440	OSCILLATOR SPOOL & GEAR
28E	G-313540	SHAFT (G-213-313)	51B	P-5177	WATER OSCILLATING GEAR ASSEMBLY (INCLUDES ITEM #51C)
28F	P-15322	PIVOT (COMES WITH P-55 CAP SCREW) (15,115,215,17,117,217,G-213, 311,312,313)		P-5174	GEAR (G-312,313,213)
			51C	P-5320	OILER & P-1219 BUSHING
			52	P-7	SPOOL SET SCREW
			53	P-15401	ROLL ARM SPRING (15,115,215,G-311)
				P-17401	ROLL ARM SPRING (17,117,217,G-213,312,313)

"P-" NUMBERS MAY BE INTERCHANGEABLE FOR BOTH CHIEF & GESTETNER AS INDICATED IN THE DESCRIPTION.

"G-" NUMBERS ARE FOR GESTETNER ONLY.

WATER, 1ST UNIT (continued from last page and on next page)
15, 115, 215, 17, 117, 217 / GESTETNER 213, 311, 312, 313

KEY	PART	DESCRIPTION
54	P-15418	WATER DUCTOR STOP LEVER (15,115,215,17,117,217)
54A	G-15418	WATER DUCTOR STOP LEVER (G-213,311,312,313)
55	P-8098	SHOULDER SCREW (15,115,215,17,117,217)
55A	P-8101	SHOULDER SCREW (G-213,311,312,313)
56	P-651	BELLEVILLE WASHER (15,115,215,17,117,217)
56A	P-10946	WASHER (G-213,311,312,313)
56B	P-15459	SPRING, FOR ITEM#54A (G-213,311,312,313)
57	P-115402	FOUNTAIN DRIVE SHAFT ASSEMBLY (15,115,215,17,117,217)
57A	G-115402	FOUNTAIN DRIVE SHAFT ASSEMBLY (G-311,312,313)
57B	G-213402	FOUNTAIN DRIVE SHAFT ASSEMBLY (G-213)
57C	P-115371	SHAFT (15,115,215,17,117,217)
57D	G-115371	SHAFT (G-311,312,313)
57E	G-213371	SHAFT (G-213)
57F	P-15370	RATCHET (15,115,215,17,117,217)
57G	P-15390	RATCHET (G-213,311,312,313)
57H	P-380	ROLL PIN
58	P-6709	WATER ROLLER CLUTCH (15,115,215,17,117,217)
59	P-15262	WATER DUCTOR CAM ASSEMBLY (COMPLETE) INCLUDES ITEMS 59A THROUGH 63
59A	P-15363	WATER DUCTOR CAM ASSEMBLY
	G-15363	WATER DUCTOR CAM (G-213,311,312,313)
59B	P-824	BUSHING (COMES WITH ITEM #59)
60	P-15268	OPERATING PAWL
60A	G-15268	PAWL (G-213,311,312,313)
61	P-15267	PAWL SPRING
61A	P-115248	SPRING (G-213,311,312,313)
62	P-667	RETAINING RING
63	P-581	WASHER
64	P-15228	STUD BLOCK ASSEMBLY (COMPLETE) INCLUDES ITEMS 64A THROUGH 67
64A	P-15252	STUD BLOCK
	G-15252	STUD BLOCK (G-213,311,312,313)
	P-4517	LOCATING STUD
65A	P-7100	LOCATING STUD (G-213,311,312,313)
66	P-15257	STUD SPRING
67	P-661	RETAINING RING
68	P-54	CAP SCREW
69	P-17056	WATER FOUNTAIN ROLL
69A	G-17055	WATER FOUNTAIN ROLL (G-311,312)
69B	G-313055	WATER FOUNTAIN ROLL (G-213,313) (G-213 MUST CHANGE SHAFT TO ITEM #57D)
70	P-5525	FRICITION CLUTCH SHAFT BEARING, RIGHT HAND
71	P-10913	SPACER
72	P-521	NUT
73	P-18	SET SCREW
74	P-115417	WATER QUANTITY PLATE
74A	G-15417	WATER QUANTITY PLATE (G-213,311,312,313)
75	P-67	CAP SCREW
76	P-486	NUT
77	P-7119	COVER STUD
77A	G-7088	COVER STUD (G-213,311,312,313)
78	P-477	NUT
79	P-15453	CAM
79A	G-15453	CAM (G-213,311,312,313)
80	P-686	RETAINING RING
81	P-477	NUT (NICKEL PLATED)
82	P-115738	CAM LOCK-OUT LEVER)
82A	G-115738	LEVER (G-213-311-312-313)
83	P-8078	LEVER SCREW
83A	P-8139	SCREW (G-213,311,312,313)
84	P-115766	CAM LOCK-OUT LINK
84A	G-15750	PLATE (G-213,311,312,313)

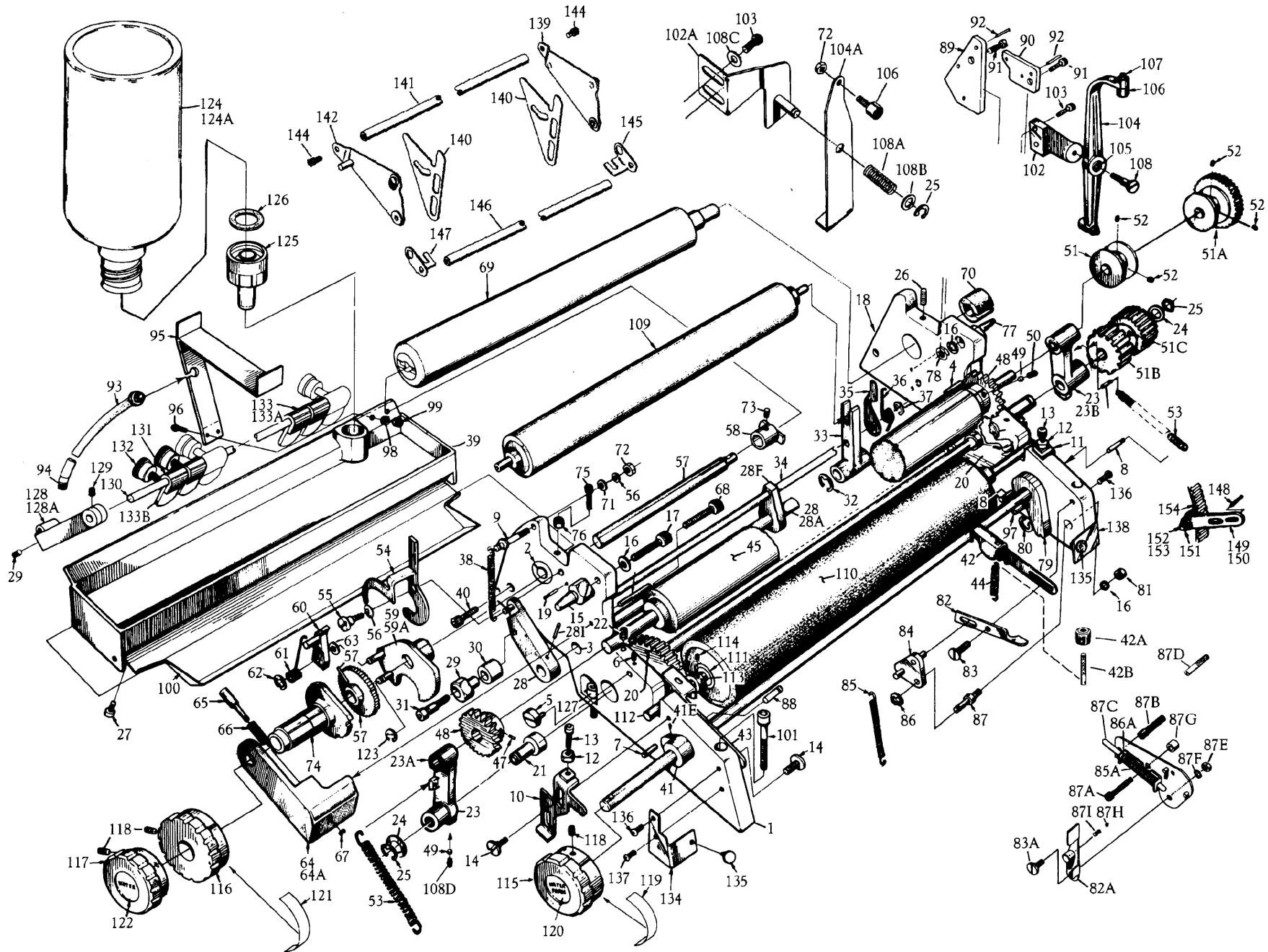
KEY	PART	DESCRIPTION
85	P-115769	CAM LOCK-OUT SPRING
85A	P-15832	SPRING, COMPRESSION (G-213,311,312,313)
86	P-668	SNAP RING
86A	P-666	RETAINING RING (G-213,311,312,313)
87	P-7901	CAM LOCK-OUT STUD
87A	P-901	CAP SCREW (G-213,311,312,313)
87B	P-4765	PIN (G-213-311,312,313)
87C	P-4798	PLUNGER (G-213,311,312,313)
87D	P-7012	STUD (G-213,311,312,313)
87E	P-469	NUT (G-213-311-312-313)
87F	P-633	LOCK WASHER (G-213-311-312-313)
87G	P-4331	SPACER (G-213-311-312-313)
87H	P-754	STEEL BALL (G-213-311-312-313)
87I	P-55119	SPRING (G-213,311,312,313)
88	P-3036	RELEASE ARM SPRING PIN
89	P-115298	SPACER BLOCK
90	P-115295	SPACER BLOCK
91	P-44	CAP SCREW
92	P-401	PIN
93	P-5289	CLEAN-UP HOSE
94	P-5333	HOSE ADAPTER
95	P-115347	WATER BOTTLE SUPPORT
96	P-5402	SCREW
97	P-407	PIN
98	P-625	WASHER
99	P-469	NUT
100	P-115360	WATER UNIT DRIP PAN (15,115,215,17,117,217,G-311,312)
100A	G-313360	DRIP TRAY (G-213-313)
101	P-59	CAP SCREW
102	P-15295	OSCILLATOR ROLL ARM BRACKET (15,115,215,17,117,217,G-213,312,313)
102A	G-15295	OSCILLATOR ROLL ARM BRACKET (G-311)
103	P-65	BRACKET MOUNTING SCREW
104	P-15484	OSCILLATOR ROLLER ARM ASSEMBLY (15,115,215,17,117,217,G-213,312,313) INCLUDES ITEMS 105 THROUGH 107
104A	G-15484	OSCILLATOR ROLLER ARM (G-311)
105	P-11155	NEEDLE BEARING
106	P-5831	CAM FOLLOWER (COMES WITH P-521 NUT ITEM #72)
107	P-10696	NUT (FOR ORIGINAL CAM FOLLOWER)
108	P-8080	OSCILLATOR ROLL PIVOT SCREW
108A	P-12408	SPRING (G-311)
108B	P-596	WASHER (G-311)
108C	P-10915	WASHER (G-311)
108D	P-16	SET SCREW
109	P-15050	DUCTOR ROLLER (15)
	P-15051	DUCTOR ROLLER (15,115,215) (NEW STYLE)
	P-17050	DUCTOR ROLLER
109A	G-15050	DUCTOR ROLLER (G-311)
109B	P-21050	DUCTOR ROLLER (G-213,313)

"P-" NUMBERS MAY BE INTERCHANGEABLE FOR BOTH CHIEF & GESTETNER AS INDICATED IN THE DESCRIPTION.

"G-" NUMBERS ARE FOR GESTETNER ONLY.

PAGE #25

WATER, 1ST UNIT (continued from last 2 pages)
15, 115, 215, 17, 117, 217 / GESTETNER 213, 311, 312, 313



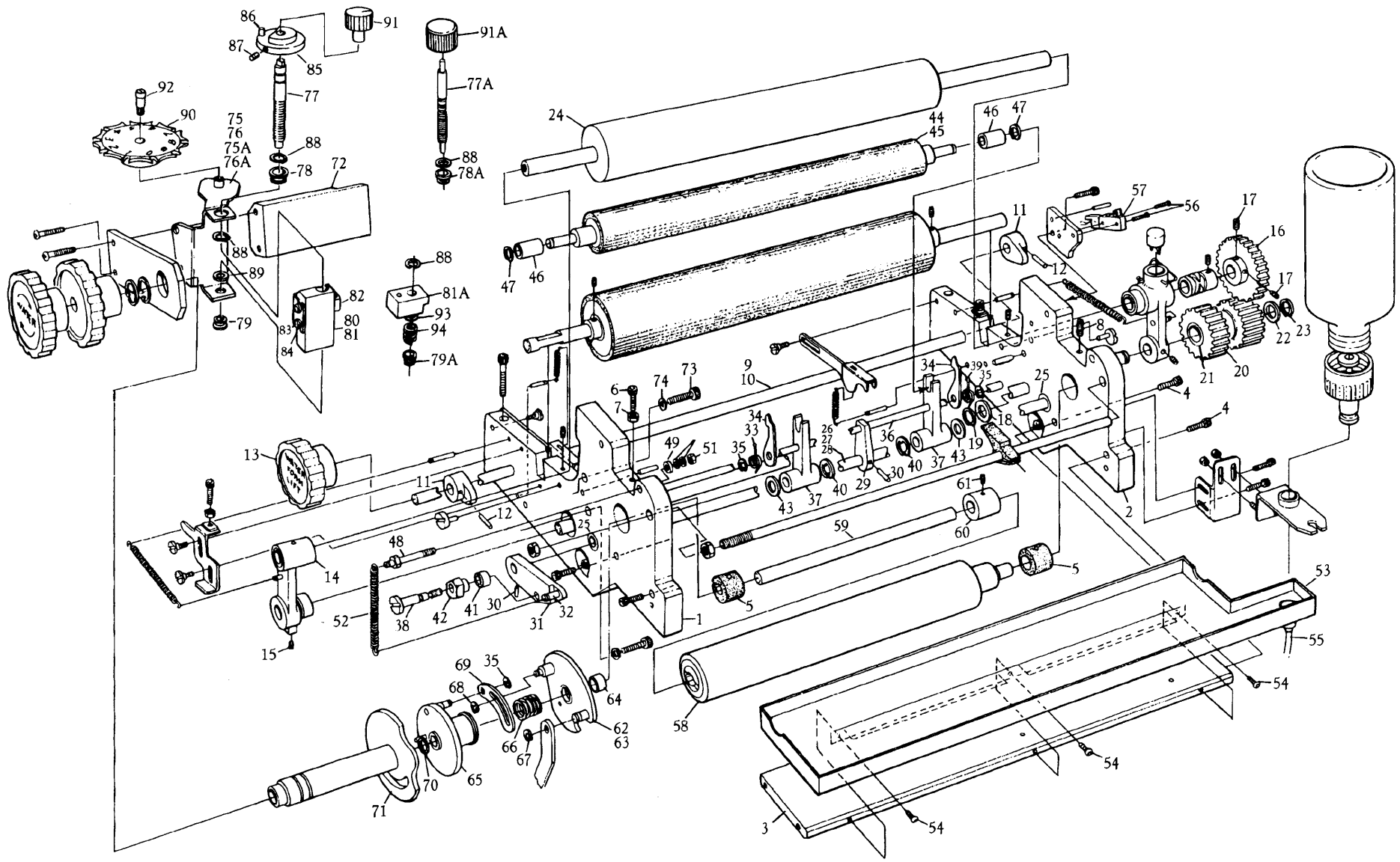
PAGE #25
WATER, 1ST UNIT (continued from last page)
15, 115, 215, 17, 117, 217 / GESTETNER

KEY	PART	DESCRIPTION
109C	P-15039	WATER FORM ROLLER ASSEMBLY (15,115,215) INCLUDES ITEMS 110 - 114
	P-17039	MOLLETON ROLL ASSEMBLY
109D	G-15039	WATER FORM ROLL ASSEMBLY (G-311)
109E	G-17039	WATER FORM ROLL ASSEMBLY (G-312)
109F	G-313039	WATER FORM ROLL ASSEMBLY (G-213,313)
110	P-15040	ROLLER ASSEMBLY (ONLY) INCLUDES ITEM 111 (15,115,215,G-311)
	P-17040	ROLLER ASSEMBLY (ONLY)
110A	G-313040	FORM ROLLER (G-213, 313)
111	P-825	BUSHING (FOR ORIGINAL ROLLER)
111A	P-1801	BALL BEARING (FOR OUR STYLE ROLLER)
112	P-15378	ROLLER SHAFT
112A	G-15378	SHAFT (G-311-312)
112B	G-313378	SHAFT (G-213-313)
113	P-735	ROLLER DISTANCE COLLAR
114	P-3	SET SCREW
114A	G-15019	SHOULDER NUT SHORT (G-213,311,312,313)
114B	P-9973	SHOULDER NUT LONG (G-213,311,312,313)
114C	P-608	WASHER LARGE (G-213-311-312,313)
114D	P-2731	WASHER SMALL (G-213-311,312,313)
114E	P-488	NUT (G-213,311,312,313)
115	P-215405	SECONDARY RELEASE KNOB
116	P-115414	CONTROL KNOB
117	P-115405	KNOB
118	P-20	SET SCREW
118A	P-869	SET SCREW (FOR ORIGINAL GESTETNER KNOB)
120	P-7437	DECAL
121	P-7413	DECAL
122	P-7414	DECAL
123	P-669	RETAINING RING
124	P-1914	WATER BOTTLE ASSEMBLY (INCLUDES ITEMS 124 A - 126)
124A	P-1900	WATER BOTTLE
125	P-1910	CAP ASSEMBLY (INCLUDES ITEM 126)
126	P-1383	GASKET
127	P-54	CAP SCREW
128	P-30378	FIRST UNIT WATER STOP ASSEMBLY (CHIEF) INCLUDES ITEMS 128A - 132
128A	P-15576	WATER STOP HANGER BRACKET ASSEMBLY (INCLUDES ITEM 129)
129	P-7	SET SCREW
130	P-15396	SHAFT
131	P-30379	WATER STOP BRACKET ASSEMBLY COMPLETE
132	P-312	KNOB
133	P-30384	BRACKET ONLY
133A	P-5	SET SCREW
133B	P-30236	WIPER
133C	P-5498	DRIVE SCREW (NOT SHOWN) NEED 2.
134	P-15445	TOP CYLINDER GUARD STOP, LEFT HAND
135	P-5630	SPONGE STOP
136	P-5458	BUTTON HEAD SCREW
137	P-138	BUTTON HEAD SCREW
138	P-15448	TOP CYLINDER GUARD STOP, RIGHT HAND
139	G-15335	BRACKET
140	G-15346	PLATE
141	G-15329	SHAFT (G-311,312)
141A	G-313329	SHAFT (G-313)
142	G-15368	BRACKET
144	P-49	CAP SCREW
145	G-15985	BRACKET
146	G-15327	SHAFT (G-311,312)
146A	G-313327	SHAFT (G-313)
147	G-15997	BRACKET
148	P-379	ROLL PIN
149	P-17548	TENSION ARM & CAM ASSEMBLY
150	P-15552	ARM ONLY

KEY	PART	DESCRIPTION
151	P-469	BALL BEARING
152	P-17551	SCREW
153	P-10915	WASHER
154	P-1660	TIMING BELT

"P-" NUMBERS MAY BE INTERCHANGEABLE FOR BOTH CHIEF & GESTETNER AS INDICATED IN THE DESCRIPTION.
"G-" NUMBERS ARE FOR GESTETNER ONLY.

DRAWING #26
WATER, 1ST UNIT (continued on next page)
APACHE, SUPERCHIEF 2000, X-SERIES



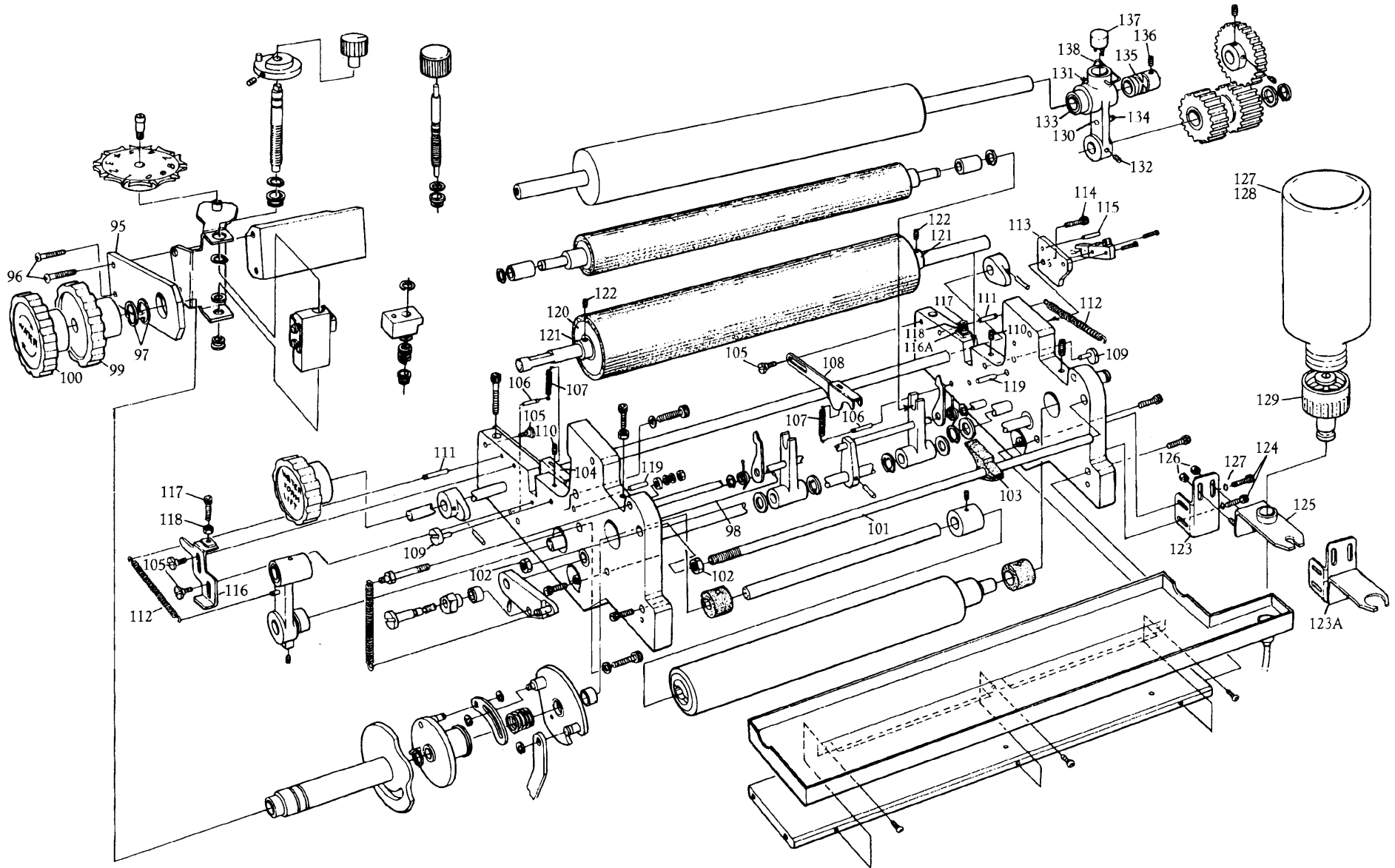
PAGE #26
WATER, 1ST UNIT (continued on next page)
APACHE, SUPER CHIEF 2000, X-SERIES

KEY	PART	DESCRIPTION
1	P-255350	WATER UNIT FRAME, LEFT HAND
2	P-255438	WATER UNIT FRAME, RIGHT HAND
3	P-255677	TIE BRACE
4	P-46	SCREW
5	P-5525	FRICITION CLUTCH SHAFT BEARING
6	P-67	SCREW
7	P-486	JAM NUT
8	P-870	DOG POINT SET SCREW
9	P-255544	MOLLETON ROLL RELEASE SHAFT ASSEMBLY
10	P-255886	MOLLETON ROLL RELEASE SHAFT
11	P-15554	MOLLETON ROLL RELEASE CAM
12	P-383	PIN
13	P-11915	KNOB, WATER FORM LIFT
14	P-17434	WATER OSCILLATING ARM SUB-ASSEMBLY
15	P-4251	SET SCREW BRASS TIP
16	P-255758	WATER OSCILLATING ARM ROLL GEAR
17	P-15	SET SCREW
18	P-10982	ARM, WASHER
19	P-672	RETAINING RING
20	P-5177	WATER OSCILLATING TIMING GEAR
21	P-1912	BUSHING (NEED 2)
22	P-10977	WASHER
23	P-1141	RETAINING RING
24	P-255850	WATER OSCILLATING ROLLER ASSEMBLY
25	P-1204	BUSHING, FOR DUCTOR SHAFT
26	P-255424	WATER DUCTOR SUB-ASSEMBLY
27	P-255307	1ST UNIT WATER DUCTOR SHAFT, SUB-ASSEMBLY
28	P-255540	DUCTOR DRIVE SHAFT
29	P-255322	PIVOT
30	P-350	PIN
31	P-255344	DRIVE LEVER, SUB-ASSEMBLY
32	P-3006	SPRING ANCHOR PIN
33	P-15331	RETAINING SPRING, LEFT HAND (NOT SHOWN)
34	P-255551	RETAINING LATCH
35	P-668	SNAP RING
36	P-255340	YOKE SHAFT
37	P-255607	DUCTOR ARM
38	P-8128	SHOULDER SCREW
39	P-15336	RETAINING SPRING, RIGHT HAND
40	P-671	SNAP RING
41	P-1450	DUCTOR CAM ROLLER
42	P-4540	DUCTOR CAM STUD
43	P-9903	WASHER
44	P-225051	WATER DUCTOR ROLLER ASSEMBLY
45	P-21050	ROLLER
46	P-5832	OILITE BEARING
47	P-698	RETAINING RING
48	P-6105	PIN CYLINDER GUARD LINK
49	P-10913	SPACER
50	P-651	WASHER-BELLEVILLE
51	P-521	NUT
52	P-15549	SPRING, WATER DUCTOR ROLLER
53	P-255316	WATER TRAY
54	P-290	SCREW
55	P-1164	DRAIN HOSE
56	P-189	LIMIT SWITCH SCREW
57	P-4471	SWITCH-SAFETY GUARD
58	P-255055	WATER FOUNTAIN ROLLER
59	P-255402	DRIVE SHAFT
60	P-255371	WATER ROLL CLUTCH

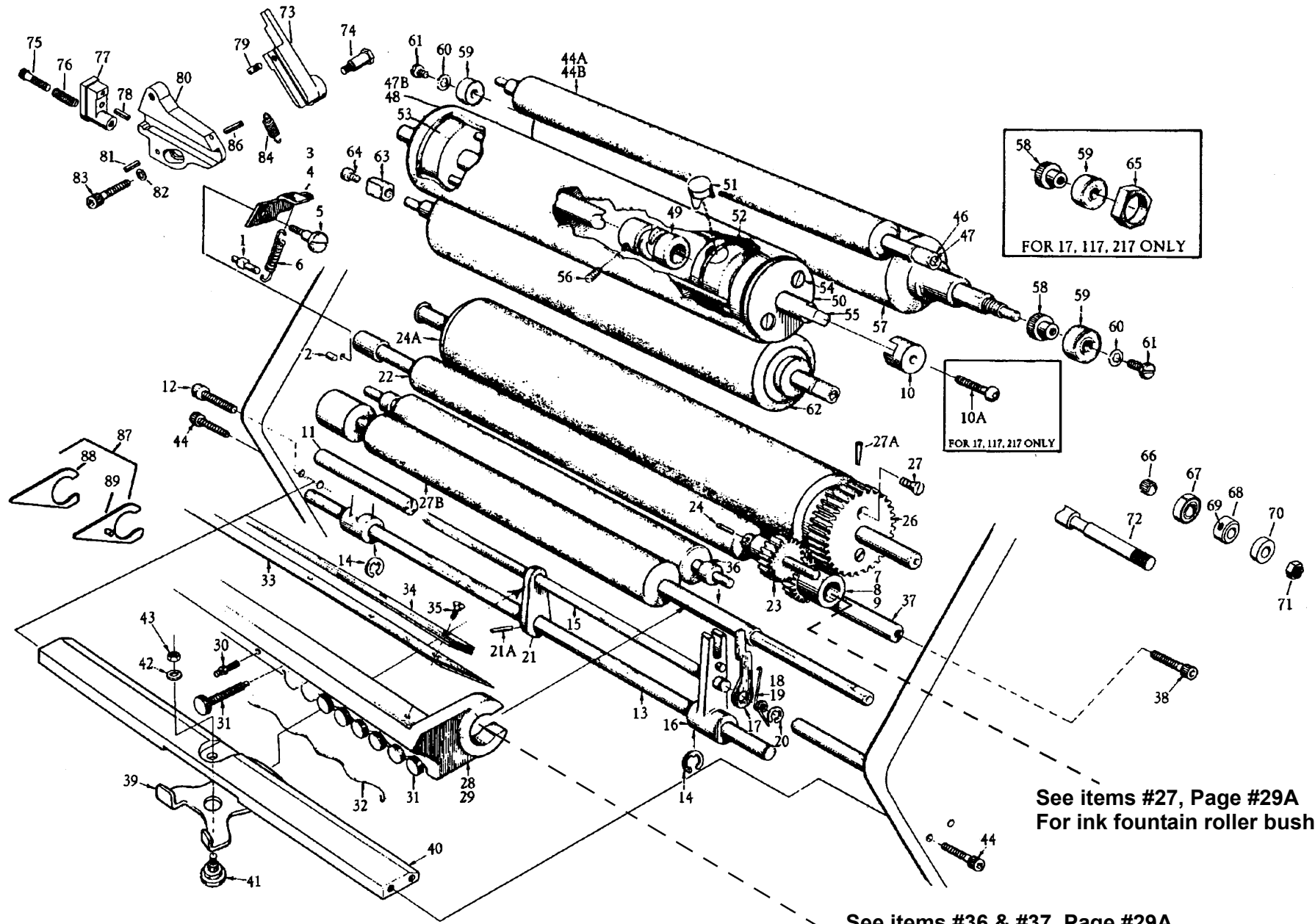
KEY	PART	DESCRIPTION
61	P-18	SET SCREW, STAINLESS
62	P-255262	CAM-WATER DUCTOR SUB-ASSEMBLY
63	P-255363	WATER DUCTOR SUB-ASSEMBLY
64	P-824	OILITE BEARING
65	P-200374	WATER STOP SUB-ASSEMBLY (2000)
	P-255370	WATER STOP SUB-ASSEMBLY (X-SERIES)
66	P-255267	SPRING
67	P-669	C-RING
68	P-668	RETAINING RING
69	P-255268	LINK
70	P-10953	WASHER, PLAIN
71	P-200417	WATER DUCTOR KNOCK OUT ASSEMBLY (2000)
	P-255417	WATER DUCTOR KNOCK OUT ASSEMBLY (X-SERIES)
72	P-255252	SUPPORT
73	P-54	CAP SCREW
74	P-10836	LOCK WASHER
75	P-255413	METERING CONTROL ASSEMBLY (X-SERIES)
75A	P-200413	METERING CONTROL ASSEMBLY (2000)
76	P-255418	SCREW SHAFT SUPPORT (X-SERIES)
76A	P-200418	SCREW SHAFT SUPPORT (2000)
77	P-9115	ADJUSTING SCREW (X-SERIES)
77A	P-9122	ADJUSTING SCREW (2000)
78	P-4306	NYLINER BEARING (X-SERIES)
78A	P-4319	NYLINER BEARING (2000)
79	P-4301	NYLINER BEARING (X-SERIES)
79A	P-4302	NYLINER BEARING (2000)
80	P-255692	BLOCK & CLIP SUB-ASSEMBLY (X-SERIES)
81	P-255699	BLOCK (X-SERIES)
81A	P-200699	BLOCK ONLY (2000)
82	P-255257	CLIP
83	P-836	SCREW
84	P-561	WASHER
85	P-255688	INDICATOR HUB
86	P-323	DOWEL PIN
87	P-850	SET SCREW
88	P-670	C-RING
89	P-5848	WASHER
90	P-255894	INDICATOR WHEEL (X-SERIES)
91	P-11557	KNOB (X-SERIES)
91A	P-11911	KNOB (2000)
92	P-44	CAP SCREW
93	P-51421	SPRING (2000)
94	P-5461	SPACER

"P-" NUMBERS MAY BE INTERCHANGEABLE FOR BOTH CHIEF & GESTETNER AS INDICATED IN THE DESCRIPTION.
"G-" NUMBERS ARE FOR GESTETNER ONLY.

DRAWING #27
WATER, 1ST UNIT (continued from last page)
APACHE, SUPER CHIEF 2000, X-SERIES



DRAWING #28
INK UNIT & ROLLERS (continued on next page)
15, 115, 215, 17, 117, 217 / GESTETNER 213, 311, 312, 313



See items #27, Page #29A
For ink fountain roller bushing.

See items #36 & #37, Page #29A
For ink fountain housing and bushing assembly.

INK UNIT & ROLLERS (continued on next page)
15, 115, 215, 17, 117, 217 / GESTETNER 213, 311, 312, 313

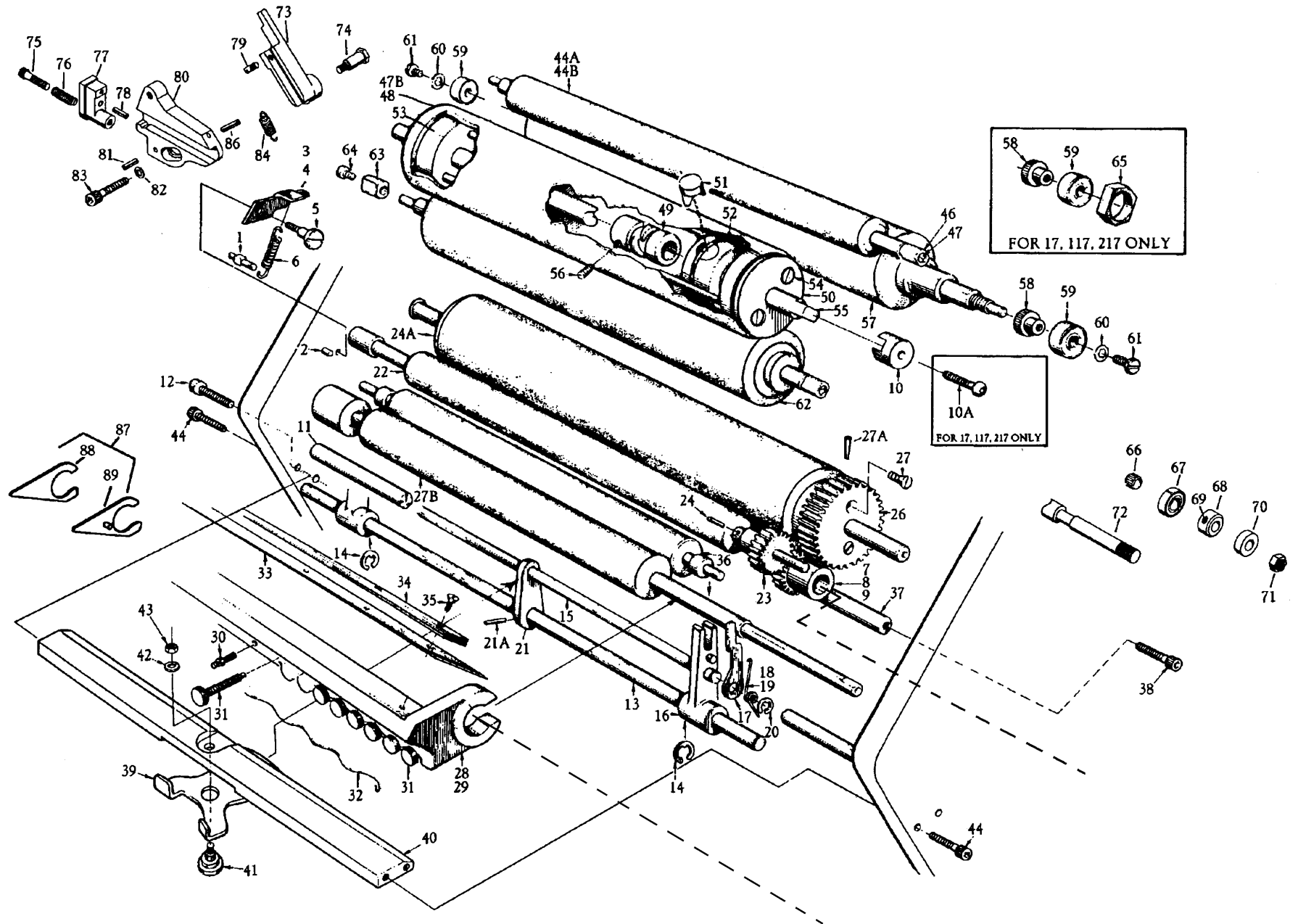
KEY	PART	DESCRIPTION
1	P-6076	BACK IDLER ROLL SPRING ANCHOR PIN
2	P-390	BACK IDLER ARM STOP PIN
3	P-15681	BACK IDLER BEARING ARM, LEFT HAND (NOT SHOWN) (15,115,215)
3A	P-15693	BACK IDLER BEARING ARM, RIGHT HAND (17,117,217)
4	P-15691	BACK IDLER BEARING ARM, RIGHT HAND (15,115,215)
4A	P-15683	BACK IDLER BEARING ARM, LEFT HAND (17,117,217)
5	P-8099	BEARING ARM SCREW
6	P-12938	SPRING
7	P-115455	OSCILLATOR INTERMEDIATE DRIVE GEAR ASSEMBLY (20° P.A.)
7A	P-15455	OSCILLATOR INTERMEDIATE DRIVE GEAR ASSY. (14-1/2° P.A.) (15, G-311, 312)
7B	G-15455	OSCILLATOR INTERMEDIATE DRIVE GEAR ASSY. (14-1/2° P.A.) (G-213, 313)
7C	P-825	BUSHING (COMES WITH ITEM #7 & 7A)
8	P-8100	INTERMEDIATE GEAR STUD (NOT SHOWN) (G-311, 312)
8A	G-8100	STUD (G-213, 313)
9	P-477	GEAR STUD NUT (NOT SHOWN) (ALL MODELS)
10	P-15460	INKER AUXILIARY OSCILLATOR ROLL MOUNTING BLOCK
10A	P-145	SCREW (17,117,217)
11	P-115641	INKER TIE ROD
12	P-42	CAP SCREW
12A	P-15690	INK DUCTOR PIVOT SHAFT ASSEMBLY (ITEMS 13 - 21)
13	P-15394	INK DUCTOR PIVOT SHAFT ASSEMBLY (G-311, 312)
13A	G-313394	INK DUCTOR SHAFT SUB-ASSEMBLY (G-213, 313)
13B	P-15332	SHAFT (15,115,215,17,117,217,G-311,312)
13C	G-313332	SHAFT (G-213, 313)
14	P-671	SHAFT RETAINING RING
15	P-15550	YOKE ROCKER SHAFT (G-311, 312)
15A	P-255340	YOKE SHAFT (G-213,313)
16	P-15572	DUCTOR ROLLER ARM (ALL MODELS)
17	P-15551	ROLLER LATCH
18	P-15331	ROLLER SPRING, LEFT HAND
19	P-15336	ROLLER SPRING, RIGHT HAND (NOT SHOWN)
20	P-668	SHAFT RETAINING RING
21	P-15322	DUCTOR PIVOT (COMES WITH P-55 CAP SCREW)
21A	P-350	ROLL PIN ((FOR ITEM# 21B, & ORIGINAL PIVOTS)
21B	P-255322	DUCTOR PIVOT (G-213, 313)
21C	G-313322	PIVOT SUPPORT(G-313)
22	P-15029	INK DISTRIBUTOR ROLLER ASSEMBLY (ITEMS 23 & 24) (15,115,215)
22A	P-17029	INK DISTRIBUTOR ROLLER ASSEMBLY (17,117,217)
22B	P-15028	INK DISTRIBUTOR ROLLER ASSEMBLY (G-311)
22C	P-17028	INK DISTRIBUTOR ROLLER ASSEMBLY (G-312)
22D	G-313028	INK DISTRIBUTOR ROLLER ASSEMBLY (G-213, 313)
23	P-115534	ROLLER GEAR 20T, 20P (FOR REPAIR) (USE 3/32" DRILL)
23A	P-17534	GEAR (G-311, 312)
23B	G-313534	GEAR (G-213, 313)
24	P-10445	ROLLER GEAR PIN
24A	P-170831	INK OSCILLATOR ROLL ASSEMBLY (COMES WITH ITEMS 26-27)
24B	G-311830	ROLLER ASSEMBLY (G-311)
24C	P-170830	ROLLER & GEAR ASSEMBLY (G-312)
24D	G-313830	ROLLER & GEAR ASSEMBLY (G-213, 313)
24E	G-313830-R	ROLLER ONLY (G-213, 313)
24F	G-311830-R	ROLLER ONLY (G-311)
26	P-15518	OSCILLATOR ROLLER GEAR
26A	G-15514	GEAR (G-213,311,313)
27	P-50	CAP SCREW
27A	P-393	ROLL PIN (G-213,311,312,313)
27B	P-15035	INK FOUNTAIN ROLLER ASSEMBLY (15,115,215)
27C	P-17035	INK FOUNTAIN ROLLER ASSEMBLY (17,117,217)
27D	P-15034	INK FOUNTAIN ROLLER WITH RATCHET (G-311)
27E	P-17034	INK FOUNTAIN ROLLER WITH RATCHET (G-312)
27F	G-21035	INK FOUNTAIN ROLLER WITH RATCHET (G-213, 313)

KEY	PART	DESCRIPTION
28	P-15071	INK TROUGH ASSEMBLY (ITEMS 29-35 (15,115,215,G-311)
28A	P-17766	INK TROUGH ASSEMBLY (ITEMS 29-35) (17,117,217,G-312)
29	P-15072	INK TROUGH (15,115,215)
29A	P-17789	INK TROUGH (17,117,217)
29B	G-313789	INK TROUGH ONLY (G-213, 313)
30	P-6095	INK TROUGH PIN (15,115,215)
31	P-11473	BLADE ADJUSTING SCREW (15,115,215)
31A	P-11474	BLADE ADJUSTING SCREW (17,117,217)
31B	P-1017	THUMB SCREW (FOR ITEM #29B & ORIGINAL GESTETNER INK FOUNTAINS)
32	P-35084	INK TROUGH LOCK SPRING (15,115,215,G-311)
32A	P-4400	INK TROUGH LOCK SPRING (17,117,217,G-312)
32B	P-255084	WIRE (G-213, 313)
33	P-15079	INK TROUGH BLADE (15,115,215,G-311)
33A	P-17233	INK TROUGH BLADE (17,117,217,G-312)
33B	G-313233	BLADE (G-213, 313)
34	P-15082	CLAMPING STRIP (15,115,215,G-311)
34A	P-17082	CLAMPING STRIP (17,117,217,G-312)
34B	G-313082	CLAMPING STRIP (G-213, 313)
35	P-117	STRIP SCREW (15,115,215, & ALL GESTETNERS)
35A	P-988	STRIP SCREW (17,117,217)
36	P-15031	INK DUCTOR ROLL ASSEMBLY (15,115,215)
36A	P-17030	INK DUCTOR ROLL ASSEMBLY (17,117,217,G-312)
36B	P-15030	INK DUCTOR ROLL (G-311)
36C	G-21030	INK DUCTOR ROLL (G-213, 313)
37	P-15641	INKER TIE ROD (G-311, 312)
37A	G-15641	TIE ROD (G-213, 313)
38	P-57	CAP SCREW
38A	P-115394	DUCTOR THROWOUT CAM ASSEMBLY (ITEMS 39 THROUGH 43)
39	P-115542	DUCTOR THROWOUT CAM
40	P-115570	TIE BAR
41	P-8121	PIVOT STUD
42	P-625	LOCK WASHER
43	P-469	NUT
44	P-55	CAP SCREW
44A	P-15021	IDLER ROLLER ASSEMBLY (COMES WITH 46-47) (15,115,215)
44B	P-17021	IDLER ROLLER ASSEMBLY (COMES WITH 46-47) (17,117,217)
*44C	G-311020	UPPER HARD IDLER ROLLER (G-311)
*44D	G-311022	SOFT IDLER ROLLER (G-311)
*44E	G-311821	LOWER HARD IDLER ROLLER (G-311)
*44F	G-312020	UPPER HARD IDLER ROLLER (G-312)
*44G	G-312022	SOFT IDLER ROLLER(G-312)
*44H	G-312821	LOWER HARD IDLER ROLLER (G-312)
*44I	G-313020	UPPER HARD IDLER ROLLER (G-213, 313)
*44J	G-313022	SOFT IDLER ROLLER (G-213, 313)
*44K	G-313821	LOWER HARD IDLER ROLLER (G-213, 313)
46	P-815	IDLER ROLLER BEARING
47	P-1878	IDLER ROLLER SCREW
47A	P-241	SCREW (G-213,311,312,313)
47B	P-150820	AUXILIARY OSCILLATOR ROLLER ASSEMBLY (ITEMS 48-56) (15,115,215)
47C	P-170820	OSCILLATING ROLLER ASSEMBLY (17,117,217)
47D	G-311820	OSCILLATING ROLLER ASSEMBLY (G-311)
47E	G-312820	OSCILLATING ROLLER ASSEMBLY (G-312)
47F	G-313820	OSCILLATING ROLLER ASSEMBLY (G-213, 313)
48	P-150821	OSCILLATOR ROLLER SHELL (15,115,215)
48A	P-170821	ROLLER SHELL (17,117,217)
48B	G-150821	ROLLER SHELL (G-311)
48C	G-170821	ROLLER SHELL (G-312)
48D	G-213821	ROLLER SHELL (G-213, 313)
49	P-15464	OSCILLATOR WORM
50	P-15468	ROLLER END CAP, RIGHT HAND

"P-" NUMBERS MAY BE INTERCHANGEABLE FOR BOTH CHIEF & GESTETNER AS INDICATED IN THE DESCRIPTION.

"G-" NUMBERS ARE FOR GESTETNER ONLY.

DRAWING #29
INK UNIT & ROLLERS (continued from last page)
15, 115, 215, 17, 117, 217 / GESTETNER 312, 311, 312, 313



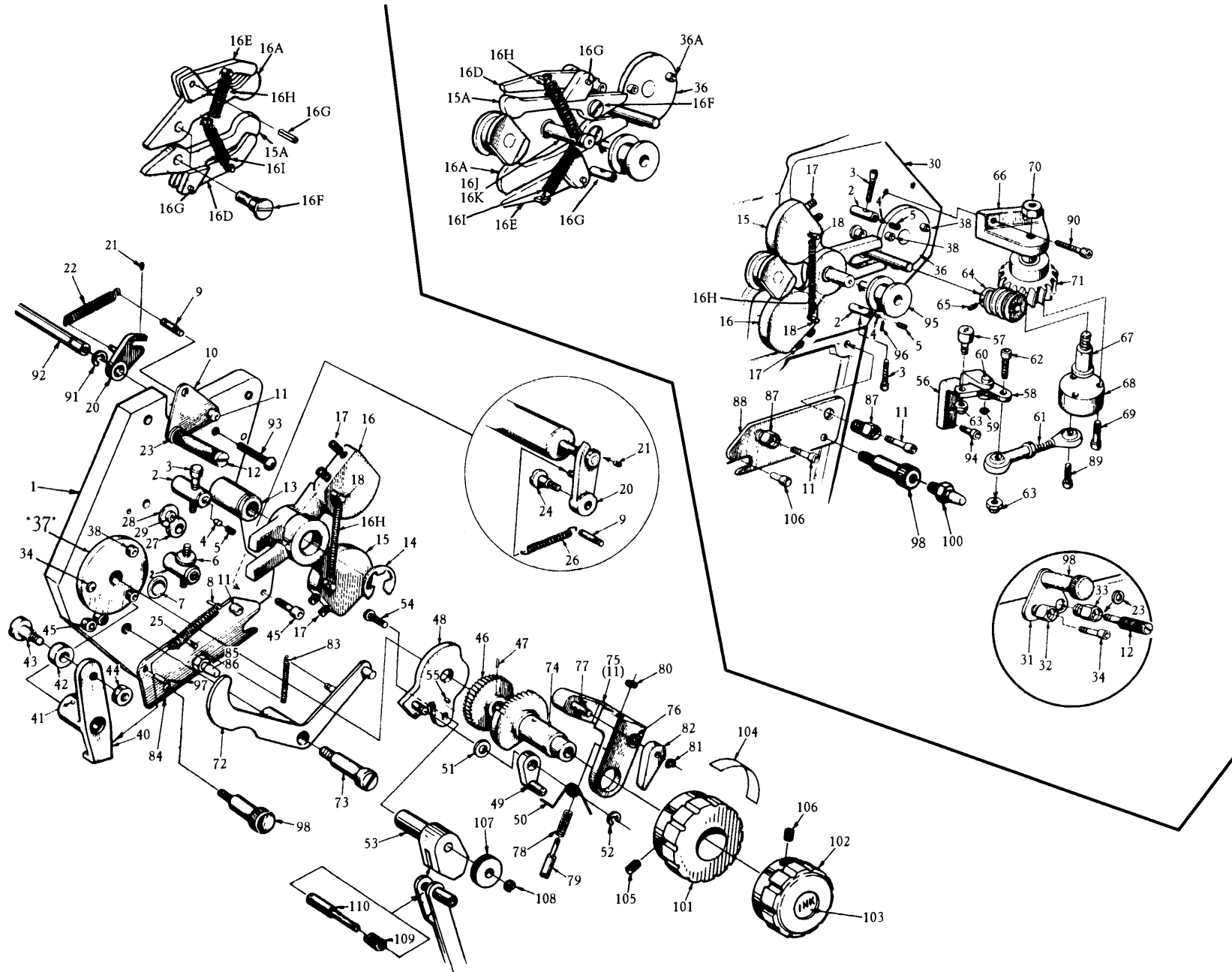
DRAWING #29
INK UNIT & ROLLERS (continued from last page)
15, 115, 215, 17, 117, 217 / GESTETNER 213, 311, 312, 313

KEY	PART	DESCRIPTION
(continued)
51	P-15463	DOG
52	P-15474	AUXILLIARY ROLLER SPRING
53	P-12426	ROLLER END CAP, LEFT HAND
54	P-36433	ROLLER TIE SCREW (G-311, 312)
54A	P-255566	ROLLER TIE SCREW (G-213, 313)
55	P-15472	ROLLER SHAFT
55A	G-15472	ROLLER SHAFT (G-311, 312)
55B	G-313472	ROLLER SHAFT (G-213, 313)
55C	P-7148	EXTENSION BEARING (FOR #55A & 55B)
55D	P-10031	SET SCREW (FOR #55C)
56	P-10004	WORM RETAINING SCREW
57	P-15011	FORM ROLLER ASSEMBLY (COMES WITH 58-61) (15,115,215,G-311)
57A	P-17011	FORM ROLLER ASSEMBLY (17,117,217,G-312)
57B	P-21012	INK FORM ROLLER (G-213, 313)
57C	G-15011	FORM ROLLER ONLY (G-311)
57D	G-17011	FORM ROLLER ONLY (G-312)
57E	G-313012	FORM ROLLER ONLY (G-213, 313)
58	P-15019	BINDER NUT (15,115,215)
58A	P-495	BINDER NUT (17,117,217)
59	P-768	BEARING (15,115,215)
59A	P-768	BEARING (17,117,217)
60	P-643	WASHER (15,115,215)
61	P-241	BEARING SCREW (15,115,215)
62	P-15020	BACK IDLER ROLLER ASSEMBLY (COMES WITH 63-64) (15,115,215)
	P-17020	BACK IDLER ROLLER ASSEMBLY (COMES WITH 63-64) (17,117,217)
63	P-815	IDLER ROLL BEARING
64	P-1878	IDLER ROLL SCREW
65	P-117509	FORM ROLL BEARING RETAINER (17,117,217)
66	P-5551	TOLERANCE RING (G-213,311,312,313)
67	P-774	BALL BEARING (G-213,311,312,313)
68	P-737	COLLAR (G-213,311,312,313)
69	P-2506	SET SCREW (G-213,311,312,313)
70	P-6720	LOCKING COLLAR (G-213,311,312,313)
71	P-506	NUT (G-213,311,312,313)
72	G-15449	INK FORM SHAFT (G-311,312)
72A	G-313449	INK FORM SHAFT (G-213,313)
73	G-15683	CARRIER SLIDE, RIGHT HAND (G-213,311,312,313)
73A	G-15693	CARRIER SLIDE, LEFT HAND (NOT SHOWN) (G-213,311,312,313)
74	P-8140	SHOULDER SCREW (G-213,311,312,313)
75	P-901	CAP SCREW (G-213,311,312,313)
76	P-50413	SPRING (G-213,311,312,313)
77	G-15460	RETAINING BLOCK (G-213,311,312,313)
78	P-380	ROLL PIN (G-213,311,312-313)
79	P-6116	SPRING ANCHOR (G-213,311,312,313)
80	G-15691	CARRIER PLATE, RIGHT HAND (G-213,311,312,313)
80A	G-15681	CARRIER PLATE, LEFT HAND (NOT SHOWN) (G-213,311,312,313)
81	P-10444	ROLL PIN (G-213,311,312,313)
82	P-10904	WASHER (G-213,311,312,313)
83	P-65	CAP SCREW (G-213,311,312,313)
84	P-36300	SPRING (G-213,311,312,313)
85	P-10882	SHIM WASHER (NOT SHOWN) FOR ITEM #74 (G-213,311,312,313)
86	P-379	ROLL PIN (G-213,311,312,313)
87	G-15258	INK FOUNTAIN ROLLER SEAL SET (G-213,311,312,313)
88	G-15260	RIGHT HAND SEAL (G-213,311,312,313)
89	G-15261	LEFT HAND SEAL (G-213,311,312,313)
		*NOTE: GESTETNER ROLLERS COME WITHOUT BUSHINGS

KEY	PART	DESCRIPTION

"P-" NUMBERS MAY BE INTERCHANGEABLE FOR BOTH CHIEF & GESTETNER AS INDICATED IN THE DESCRIPTION.
"G-" NUMBERS ARE FOR GESTETNER ONLY.

DRAWING #29A
INK UNIT, RIGHT HAND & LEFT HAND (continued on next page)
15, 115, 215, 17, 117, 217 / 312, 311, 312, 313



DRAWING #29A
INK UNIT - RIGHT HAND & LEFT HAND
15, 115, 215, 17, 117, 217 / GESTETNER 213, 311, 312, 313

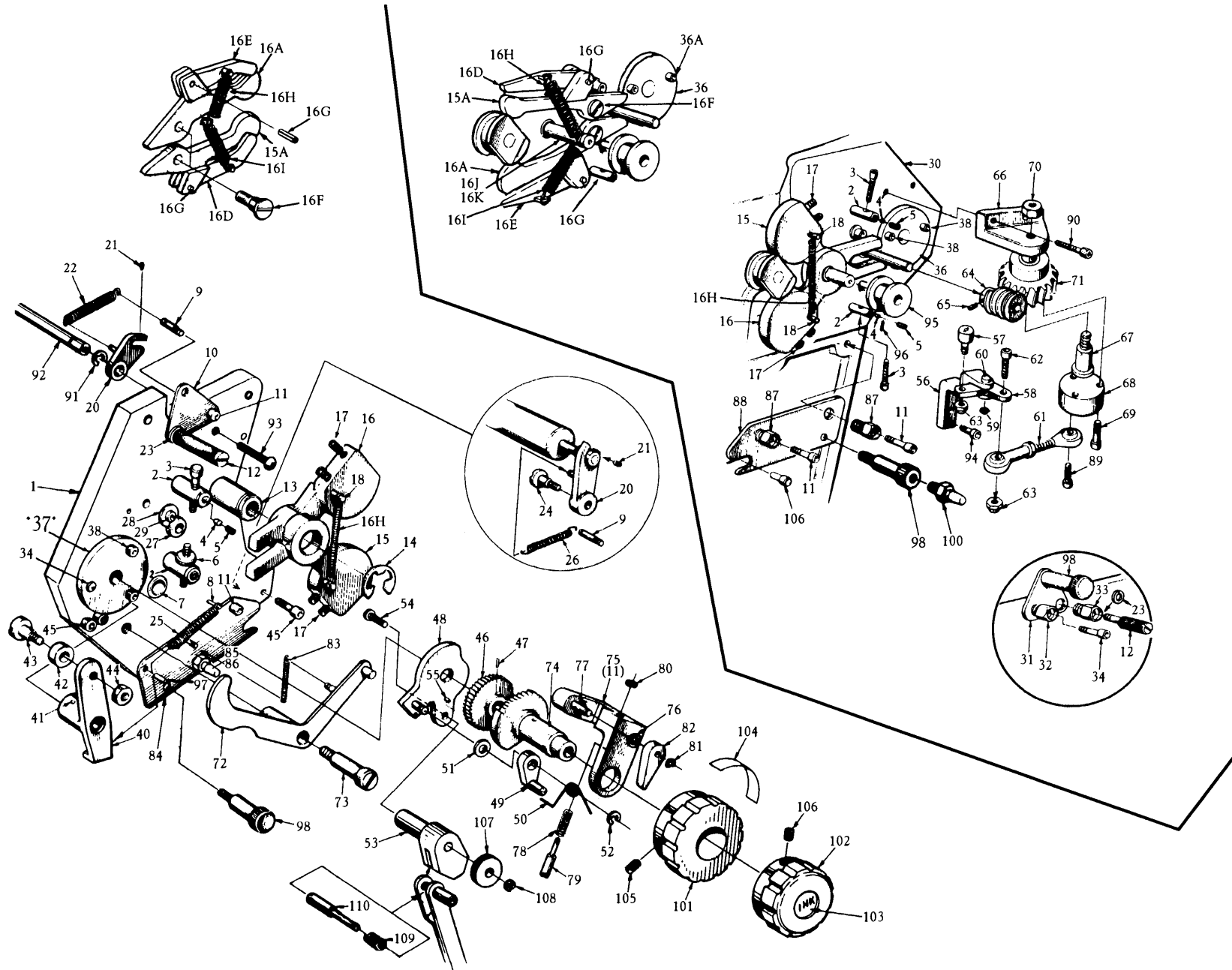
KEY	PART	DESCRIPTION
	P-30012	INKER UNIT COMPLETE (15, 115, 215)
	P-30013	INKER UNIT COMPLETE (17, 117, 217)
	P-30014	INKER UNIT COMPLETE (G-311)
	P-30015	INKER UNIT COMPLETE (G-312)
	P-30016	INKER UNIT COMPLETE (G-213, 313)
1	P-17700	INKER UNIT SIDE FRAME, LEFT HAND (17, 117, 217)
	P-15700	SIDE FRAME (15, 115, 215)
	G-15700	SIDE FRAME (G-213, 311, 312, 313)
1C	P-15256	FORM ROLLER ADJUSTING BLOCK ASSEMBLY (ITEMS 2-5)
2	P-4526	FORM ROLLER ADJUSTING BLOCK
3	P-48	CAP SCREW
4	P-1072	ADJUSTING BLOCK PLUG
5	P-7	SET SCREW
5A	P-15255	FORM ROLLER ADJUSTING BLOCK ASSEMBLY (ITEMS 2, 4, 5 & 6)
6	P-11478	THUMB SCREW
7	P-1204	BUSHING
8	P-10664	SPRING PIN
8A	P-396	ROLL PIN (15,115,215, G-213, 311, 312, 313)
9	P-6086	ANCHOR PIN
10	P-15580	INKER TOP PLATE
11	P-55	CAP SCREW (ON INSIDE OF SIDE FRAME)
12	P-11500	INKER LIFTING SCREW (17, 117, 217)
	P-11512	INKER LIFTING SCREW (15,115,215,G-213,311,312,313) (GEST. BOTH SIDES)
13	P-17265	OSCILLATING & FORM ROLL BUSHING ASSEMBLY (SEE NOTE 13A)
13A	P-1206	BUSHING (INCLUDED IN ITEM #13) (17, 117, 217)
	P-1204	BUSHING (USE THIS BUSHING ON 15,115,215,G-213,311,312,313)
14	P-708	RETAINING RING (17, 117, 217)
15	P-17491	FORM ROLL BEARING ARM ASSEMBLY (ONLY) (LOWER LEFT HAND & UPPER RIGHT HAND) (ITEMS 17 & 18)
15A	P-15487	FORM ROLL RETAINER (15,115,215,G-213,311,312,313) (BOTTOM LEFT HAND & TOP RIGHT HAND)
16	P-17487	FORM ROLL BEARING ARM ASSEMBLY (ONLY) (UPPER LEFT HAND & LOWER RIGHT HAND) (ITEMS 17 & 18)
16A	P-15491	FORM ROLL RETAINER (15,115,215,G-213,311,312,313) (TOP LEFT HAND & BOTTOM RIGHT HAND)
16B	P-15493	ARM ONLY (FOR #15A)
16C	P-15500	ARM ONLY (FOR #16A)
16D	P-15488	RETAINER ARM (FOR #15A)
16E	P-15498	RETAINER ARM (FOR #16A)
16F	P-8108	SHOULDER SCREW (15,115,215,G-213,311,312,313)
16G	P-401	ROLL PIN (15,115,215,G-213,311,312,313)
16H	P-15425	SPRING (15,115,215) (SEE #19 FOR 17'S)
16I	P-15527	SPRING (15,115,215,G-213,311,312,313) (GESTETNERS, USE 4)
16J	P-6085	SPRING ANCHOR (15,115,215)
16K	P-3037	SPRING ANCHOR (G-213,311,312,313)
17	P-13	SET SCREW
18	P-6001	SPRING PIN
20	P-15496	IDLER ROLL ARM LEFT HAND ASSEMBLY
20A	P-15494	IDLER ROLL ARM, RIGHT HAND ASSEMBLY (NOT SHOWN)
20B	G-15496	ARM LEFT HAND & RIGHT HAND (ALL MODELS) (COMES WITH P-6001 SPRING PIN & P-8109 SHOULDER SCREW)
21	P-1	SET SCREW
22	P-12938	BEARING ARM SPRING
23	P-10836	LOCK WASHER
24	P-8109	IDLER ROLL ARM STUD (GESTETNER MUST USE #20B)
25	P-15549	ARM SPRING
26	P-36574	BEARING ARM SPRING (GESTETNER, BOTH SIDES)
27	P-1496	INK DIST. ROLL BUSHING - FOR SMALL GEARED DISTRIBUTOR ROLLER
28	P-578	BEARING WASHER
29	P-49	CAP SCREW

KEY	PART	DESCRIPTION
30	P-17701	INKER UNIT SIDE FRAME RIGHT HAND (17, 117, 217)
30A	P-15701	SIDE FRAME (15, 115, 215)
30B	G-15701	SIDE FRAME (G-213, 311, 312, 313)
31	P-15882	INKER TOP PLATE RIGHT HAND
32	P-15563	TOP PLATE ADJUSTING NUT (GESTETNER, 4 PLACES)
33	P-15579	TOP PLATE ADJUSTING NUT (CHIEF ONLY)
34	P-56	CAP SCREW
35A	P-11502	INKER LIFTING SCREW (15, 115, 215)
36	P-17319	FOUNTAIN ROLL BEARING ASSEMBLY R.H. (17,117,217)
	P-15319	FOUNTAIN ROLL BEARING ASSEMBLY L.H. & R.H. (15, 115, 215)
	G-15319	FOUNTAIN ROLL BEARING ASSEMBLY R.H. (G-311)
	G-17319	FOUNTAIN ROLL BEARING ASSEMBLY R.H. (G-312)
	G-313319	FOUNTAIN ROLL BEARING ASSEMBLY R.H. (G-213, 313)
37	P-17321	FOUNTAIN ROLL BEARING ASSEMBLY L.H. (17,117,217) SEE #36, P-15319.
	G-15321	FOUNTAIN ROLL BEARING ASSEMBLY L.H. (G-311)
	G-17321	FOUNTAIN ROLL BEARING ASSEMBLY L.H. (G-312)
	G-313321	FOUNTAIN ROLL BEARING ASSEMBLY L.H. (G-213, 313)
37A	P-1204	BUSHING (COMES WITH ITEMS #36, 36A, 36B, 37)
38	P-51	CAP SCREW
39	P-56	MACHINE SCREW
40	P-15334	LEVER ARM ADJUSTING PLATE
41	P-350	LEVER ROLL PIN
42	P-1431	CAM ROLLER
43	P-8096	CAM ROLLER STUD
44	P-477	NUT
45	P-57	CAP SCREW
46	P-15239	RATCHET WHEEL 40T (FOR REPAIRS) (USE 5/32" DRILL)
47	P-390	RATCHET WHEEL PIN
48	P-115361	OPERATING PLATE ASSEMBLY (ONLY) (ITEMS 49-55)
48A	P-15362	OPERATING PLATE (G-213, 311, 312, 313)
48B	P-1204	BUSHING (COMES WITH ITEMS #48 & 48A)
49	P-15355	OPERATING PAWL
50	P-115248	PAWL SPRING
50A	P-15248	PAWL SPRING (G-213, 311, 312, 313)
51	P-581	SPACER
52	P-698	RETAINING RING
53	P-115933	LINK EXTENSION
54	P-143	SCREW
55	P-10435	PIN
55A	P-15482	OSCILLATOR BRACKET ASSEMBLY (ITEMS 56-63)
56	P-15492	OSCILLATOR BRACKET
56A	G-15492	OSCILLATOR BRACKET (G-213, 311, 312, 313)
57	P-5831	BEARING
58	P-15490	OSCILLATOR LEVER
58A	G-15490	OSCILLATOR LEVER (G-213, 311, 312, 313)
59	P-698	RETAINING RING
60	P-4718	OSCILLATOR LEVER STUD
60A	P-3034	DOWEL PIN (G-213, 311, 312, 313)
60B	P-4	SET SCREW (G-213, 311, 312, 313)
61	P-11206	LINK ASSEMBLY
62	P-48	CAP SCREW
63	P-10696	NUT
64	P-15504	OSCILLATOR WORM GEAR
64A	P-200504	WORM GEAR (G-213, 311, 312, 313)
65	P-19	SET SCREW
	P-10031	SET SCREW (FOR ITEM #64A)
65A	P-15444	OSCILLATOR GEAR BRACKET ASSEMBLY (ITEMS 66-71)
65B	P-1260	BUSHING (FOR ITEM # 66A)
66	P-15486	OSCILLATOR GEAR BRACKET
66A	G-15486	OSCILLATOR GEAR BRACKET (G-213, 311, 312, 313)

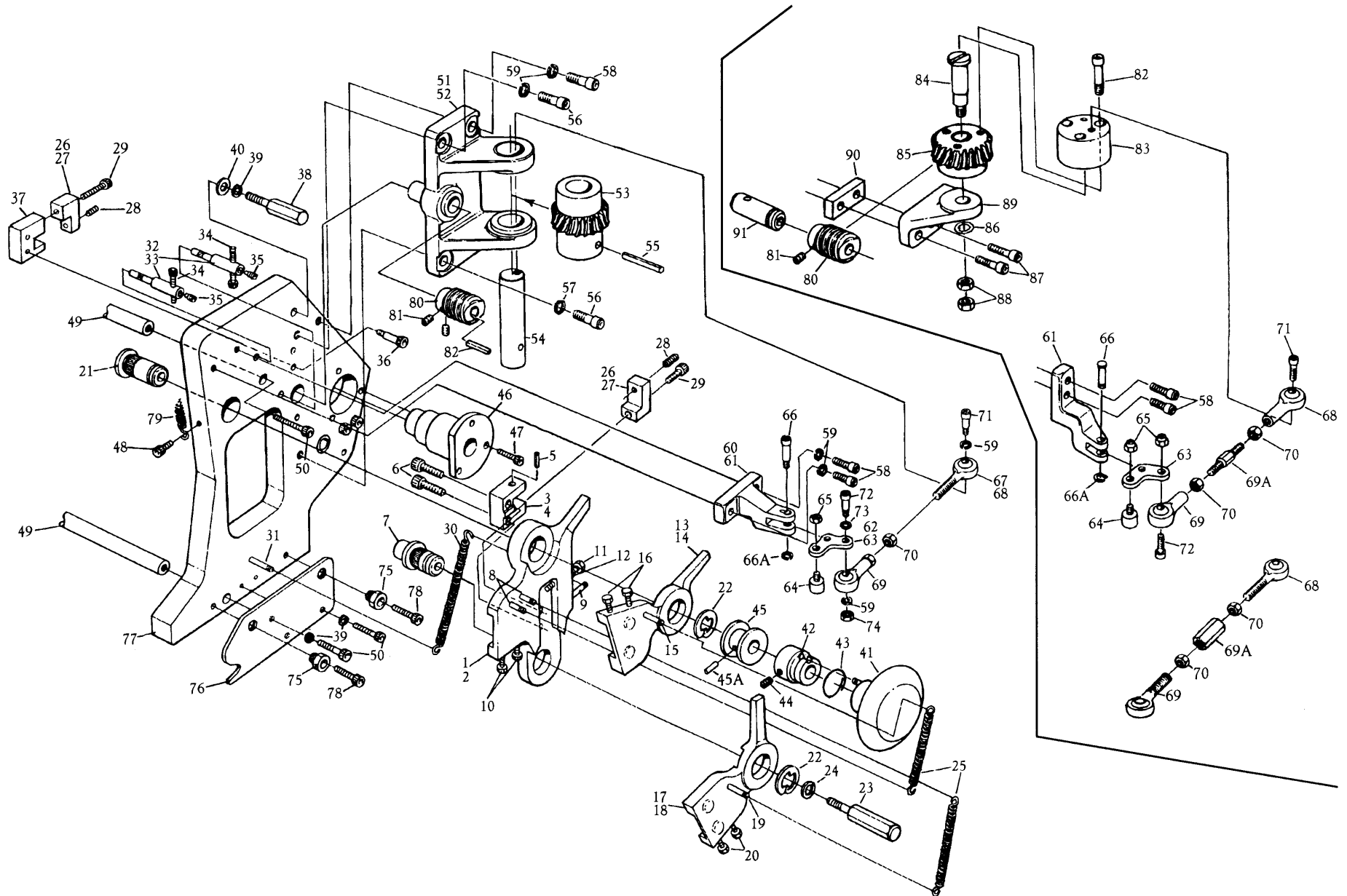
"P-" NUMBERS MAY BE INTERCHANGEABLE FOR BOTH CHIEF & GESTETNER AS INDICATED IN THE DESCRIPTION.

"G-" NUMBERS ARE FOR GESTETNER ONLY.

DRAWING #29B
INK UNIT, RIGHT HAND & LEFT HAND (continued on next page)
15, 115, 215, 17, 117, 217 / 312, 311, 312, 313



DRAWING #30
INK UNIT, RIGHT HAND (NON-OPERATORS SIDE)
APACHE, SUPER CHIEF 200, X-SERIES



PAGE #30
INK UNIT - RIGHT HAND (NON-OPERATORS SIDE)
APACHE, SUPER CHIEF 2000, X-SERIES

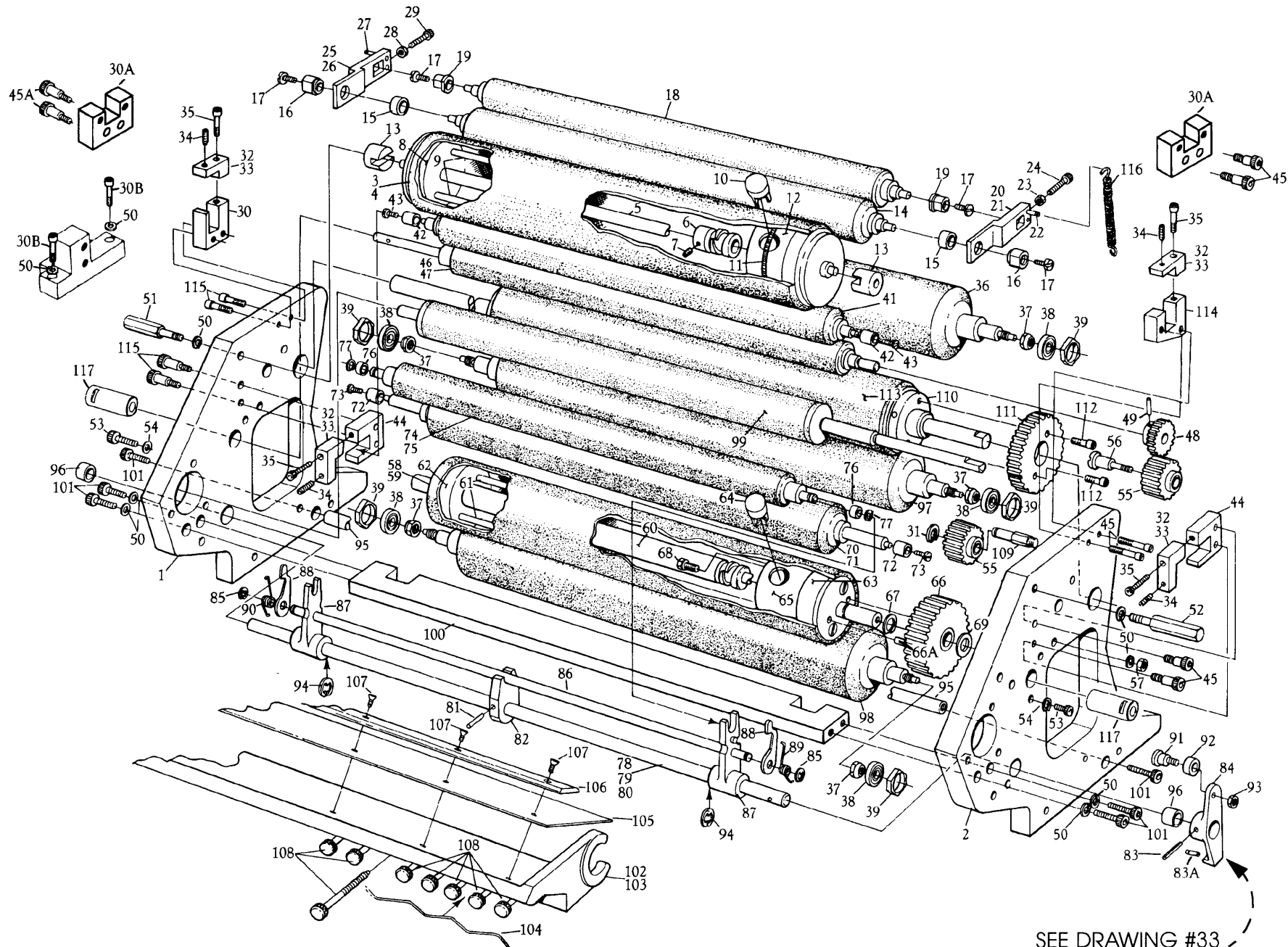
KEY	PART	DESCRIPTION
1	P-255259	FORM ROLL SUPPORT CENTER ASSEMBLY, RIGHT HAND
2	P-255260	FORM ROLL SUPPORT CENTER, RIGHT HAND
3	P-255227	ASSEMBLY BRACKET ROLL
4	P-255240	BRACKET ROLL (NOT SOLD ALONE-USE P-255227, #3)
5	P-386	ROLL PIN
6	P-1564	SCREW
7	P-7128	OSCILLATOR ROLL SUPPORT STUD
8	P-6001	GROOVE PIN, 3/4 LONG
9	P-3037	GROOVE PIN, 1-1/4 LONG
10	P-5474	HEX HEAD SCREW
11	P-5521	HEX HEAD SCREW
12	P-469	NUT
13	P-255536	FORM ROLL SUPPORT UPPER, RIGHT HAND SUB ASSEMBLY
14	P-255537	FORM ROLL SUPPORT UPPER, RIGHT HAND ONLY
15	P-6001	GROOVE PIN
16	P-5474	HEX HEAD SCREW
17	P-255512	FORM ROLL SUPPORT LOWER, RIGHT HAND, SUB ASSEMBLY
18	P-255539	FORM ROLL SUPPORT LOWER, RIGHT HAND
19	P-6001	GROOVE PIN
20	P-5474	HEX HEAD SCREW
21	P-255614	SUPPORT STUD, OSCILLATING ROLL SUB ASSEMBLY (X-SERIES, 2000 NEW STYLE).
	P-215164	SUPPORT STUD, (2000 OLD STYLE)
22	P-708	RETAINING RING
23	P-7708	INKER OSCILLATOR ROLLER STUD - R.H.
24	P-645	LOCK WASHER
25	P-15425	INKER TOP FORM ROLLER SPRING
26	P-255563	IDLER ROLLER ADJUSTING BLOCK, SUB ASSEMBLY
27	P-255580	IDLER ROLLER ADJUSTING BLOCK
28	P-1608	SPRING PLUNGER
29	P-52	CAP SCREW
30	P-15625	SPRING
31	P-3037	PIN SPRING
32	P-255255	FORM ROLLER ADJUSTING BLOCK ASSEMBLY
33	P-4526	FORM ROLLER ADJUSTING BLOCK
34	P-48	CAP SCREW
35	P-1004	SET SCREW
36	P-1525	SHOULDER SCREW
37	P-255681	BACK IDLER ROLLER MOUNTING BRACKET (X-SERIES) (2000-NEW STYLE)
	P-200681	BACK IDLER ROLLER MOUNTING BRACKET (2000 OLD STYLE)
38	P-7735	HEX LIFTING SCREW, INKER
	P-11512	KNURLED LIFTING SCREW
39	P-627	LOCK WASHER
40	P-10915	WASHER
41	P-7243	KNOB
42	P-6704	CONTROL KNOB COLLAR
43	P-5470	OPERATING PLATE SPRING
44	P-19	SET SCREW
45	P-255507	OSCILLATOR SPOOL
45A	P-381	ROLL PIN
46	P-255321	INK FOUNTAIN ROLLER BEARING, RIGHT HAND (X-SERIES)
	P-200321	INK FOUNTAIN ROLLER BEARING, RIGHT HAND (2000, OLD STYLE & NEW STYLE)
47	P-51	CAP SCREW
48	P-49	CAP SCREW
49	P-255641	INKER UNIT TIE BAR
50	P-57	CAP SCREW
51	P-255485	ASSEMBLY BRACKET WORM OSCILLATOR
52	P-255486	SUB ASSEMBLY BRACKET WORM OSCILLATOR
53	P-255446	WORM GEAR
54	P-255495	SHAFT, WORM GEAR - X-SERIES
55	P-10429	PIN-SPIRAL SPRING

KEY	PART	DESCRIPTION
56	P-5484	SHOULDER SCREW
57	P-629	LOCK WASHER
58	P-912	SCREW, X SERIES
	P-5431	SCREW, SUPER CHIEF
59	P-628	LOCK WASHER
60	P-255448	LEVER & BRACKET ASSEMBLY
61	P-255492	INK OSCILLATOR BRACKET (X-SERIES)
	P-200492	INK OSCILLATOR BRACKET (2000)
62	P-255484	LEVER ASSEMBLY (X-SERIES)
63	P-255490	OSCILLATING LEVER (X-SERIES)
	P-15490	OSCILLATING LEVER (2000)
64	P-794	CAM FOLLOWER (X-SERIES)
	P-5831	CAM FOLLOWER (2000)
65	P-486	NUT (X-SERIES)
	P-10696	NUT (2000)
66	P-5484	SHOULDER SCREW (X-SERIES)
	P-4718	PIN (2000)
66A	P-668	RETAINING RING (2000)
67	P-11202	LINK ASSEMBLY (X-SERIES) (1 FEMALE & 1 MALE ROD END)
	P-11189	LINK ASSEMBLY (2000) (2 FEMALE ROD ENDS)
68	P-11201	BEARING (MALE), (X-SERIES)
	P-1117	ROD END BEARING (2000) (2 FEMALE ROD END STYLE)
	P-1118	MALE ROD END (2000) (2 MALE ROD END STYLE)
69	P-11200	BEARING (FEMALE), (X-SERIES)
	P-1117	ROD END BEARING (2000) (2 FEMALE ROD END STYLE)
	P-1118	MALE ROD END (2000) (2 MALE ROD END STYLE)
69A	P-11988	SCREW (2000) (2 FEMALE ROD END STYLE)
	P-7724	TURNBUCKLE POST (2000) (2 MALE ROD END STYLE)
70	P-497	NUT (X-SERIES)
	P-486	NUT (2000)(FOR BOTH 2000 STYLES)
71	P-929	SHOULDER SCREW (X-SERIES)
	P-48	SCREW (2000)
72	P-5392	SHOULDER SCREW (X-SERIES)
	P-48	SCREW (2000)
73	P-599	PLAIN WASHER (X-SERIES)
74	P-477	NUT (X-SERIES)
75	P-15579	INKER TOP PLATE, RIGHT HAND ADJUSTING NUT
76	P-15559	INKER UNIT POSITIONING PLATE, RIGHT HAND
77	P-200700	INKER, RIGHT HAND SIDE PLATE
	P-255700	INKER, RIGHT HAND SIDE PLATE
78	P-55	CAP SCREW
79	P-50032	SPRING
80	P-255504	WORM GEAR (X-SERIES)
	P-200504	WORM GEAR (2000) NO KEY WAY SLOT
81	P-5	SET SCREW (X-SERIES)
	P-8	SET SCREW (2000) FOR P-200504
82	P-11463	KEY (2000)
	P-41	SCREW (2000) FOR P-200480)
83	P-200480	OSCILLATOR GEAR SPACER (2000)
84	P-8110	OSCILLATOR GEAR STUD (2000)
85	P-15446	OSCILLATOR WORM GEAR (2000)
86	P-10958	WASHER (2000)
87	P-5484	SOCKET BOLT (2000)
88	P-506	NUT (2000)
89	200486	OSCILLATOR GEAR BRACKET (2000)
90	P-200899	SPACER (2000)
91	P-1496	BUSHING

"P-" NUMBERS MAY BE INTERCHANGEABLE FOR BOTH CHIEF & GESTETNER AS INDICATED IN THE DESCRIPTION.

"G-" NUMBERS ARE FOR GESTETNER ONLY.

DRAWING #31
INK UNIT & ROLLERS (continued on next page)
APACHE, SUPER CHIEF 2000, X-SERIES



SEE DRAWING #33

PAGE #31
INK UNIT & ROLLERS (continued on next page)
APACHE, SUPER CHIEF 2000, X-SERIES

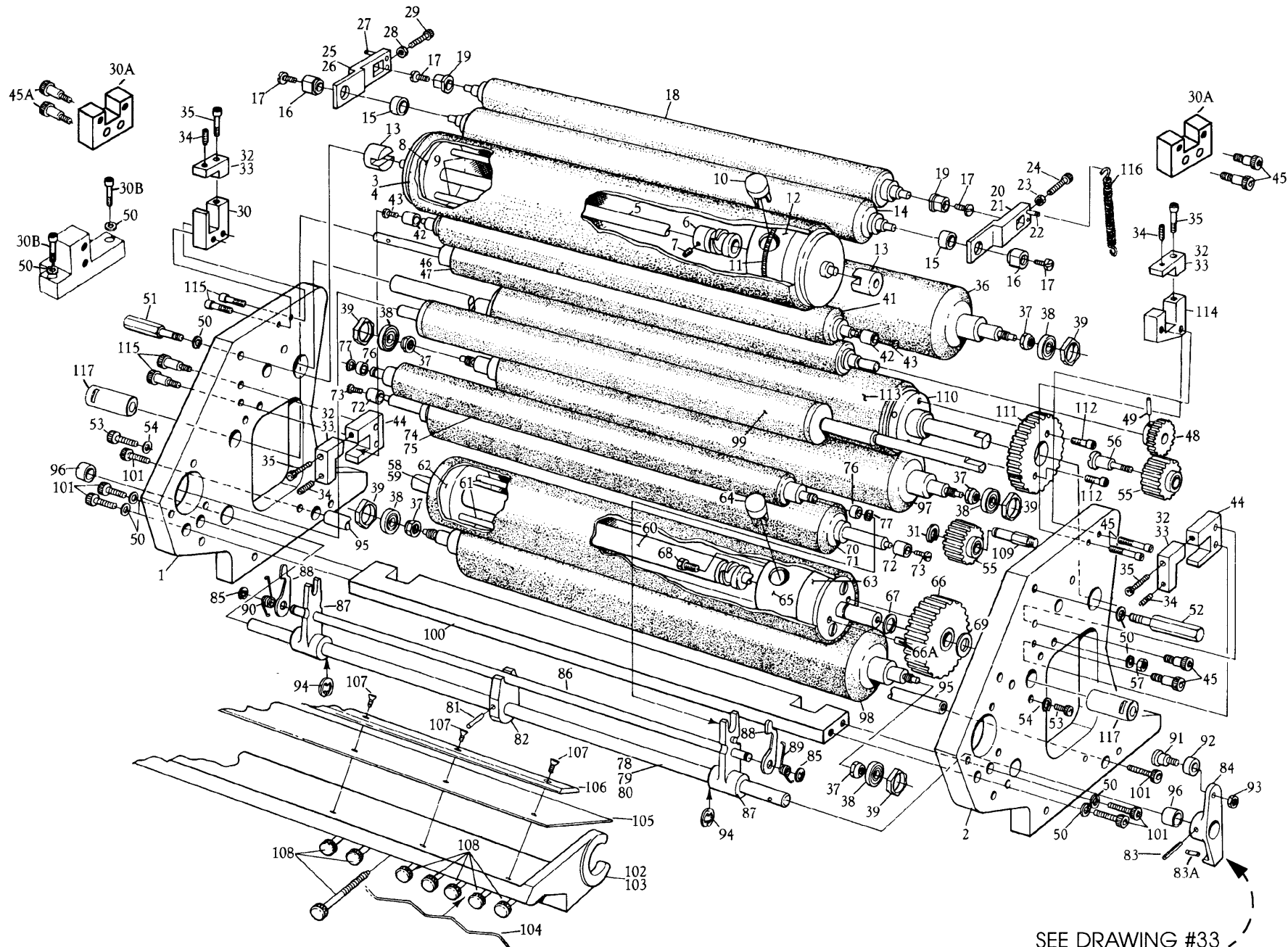
KEY	PART	DESCRIPTION
1	P-200700	INK RIGHT HAND SIDE PLATE (2000)
	P-255700	INK RIGHT HAND SIDE PLATE (X-SERIES)
2	P-200701	INK LEFT HAND SIDE PLATE (2000)
	P-255701	INK LEFT HAND SIDE PLATE (X-SERIES)
3	P-255820	AUXILIARY OSCILLATING ROLLER ASSEMBLY
4	P-255821	AUXILIARY OSCILLATING ROLLER ASSEMBLY
5	P-255472	OSCILLATING ROLLER SHAFT
6	P-15464	OSCILLATING WORM
7	P-10004	OSCILLATING WORM SCREW
8	P-12426	END CAP LEFT HAND ASSEMBLY
9	P-255433	OSCILLATING ROLLER TIE BAR
10	P-15463	OSCILLATING WORM HALF NUT
11	P-15474	OSCILLATING WORM ROLL RETAINING SPRING
12	P-15468	OSCILLATING ROLLER END, RIGHT HAND
13	P-15460	INKER AUXILIARY OSCILLATING ROLLER MOUNTING BLOCK
14	P-21023	IDLER ROLLER ASSEMBLY
15	P-5560	IDLER ROLLER SPACER
16	P-11379	IDLER ROLLER BEARING
17	P-235	IDLER ROLLER SCREW
18	P-21020	IDLER ROLLER ASSEMBLY
19	P-11378	IDLER ROLLER BEARING
20	P-255494	PIVOT ARM IDLER ROLLER LEFT HAND SUB-ASSEMBLY
21	P-255501	PIVOT ARM IDLER ROLLER
22	P-6001	GROOVE PIN
23	P-473	NUT
24	P-51	CAP SCREW
25	P-255496	PIVOT ARM IDLER ROLLER RIGHT HAND SUB-ASSEMBLY
26	P-255501	PIVOT ARM IDLER ROLLER
27	P-6001	GROOVE PIN
28	P-473	NUT
29	P-51	CAP SCREW
30	P-255681	IDLER ROLLER MOUNTING BRACKET, RIGHT HAND-X-SERIES & 2000 NEW STYLE
30A	P-200681	MOUNTING BRACKET-SUPER CHIEF, OLD STYLE
30B	P-57	SCREW (FOR #30A)
30C	P-200693	MOUNTING BRACKET-SUPER CHIEF 2000
31	P-701	RETAINING RING
32	P-255563	IDLER ROLLER ADJUSTING BLOCK SUB-ASSEMBLY
33	P-255580	IDLER ROLLER ADJUSTING BLOCK
34	P-1608	SPRING PLUNGER
35	P-51	CAP SCREW
36	P-21010	INKER FORM ROLLER ASSEMBLY
37	P-495	FORM ROLLER ADJECTION NUT
38	P-768	BALL BEARING
39	P-117509	FORM ROLLER BEARING BUSHING
40	P-21021	IDLER ROLLER ASSEMBLY
42	P-815	IDLER ROLLER BUSHING
43	P-235	IDLER ROLLER SCREW
44	P-255683	IDLER ROLL MOUNTING BRACKET
45	P-1525	SHOULDER SCREW (FOR BRACKET #44 & #114)
	P-73	SHOULDER SCREW-SUPER CHIEF
46	P-255028	INKER DISTRIBUTOR ROLLER ASSEMBLY - X-SERIES
	P-200028	INKER DISTRIBUTOR ROLLER ASSEMBLY - SUPER CHIEF 2000
47	P-255029	DISTRIBUTOR ROLLER ONLY - X-SERIES
	P-200029	DISTRIBUTOR ROLLER ONLY - SUPER CHIEF 2000
48	P-255534	GEAR (FOR #46, 47 XLK & 2000)
49	P-10445	PIN (FOR #48)
50	P-627	LOCK WASHER
51	P-7735	HEX LIFTING SCREW INKER RIGHT HAND SUPER CHIEF 2000
	P-11512	KNURLED LIFTING SCREW, RIGHT HAND, X-SERIES
52	P-7737	HEX LIFTING SCREW INKER, LEFT HAND, SUPER CHIEF 2000

KEY	PART	DESCRIPTION
52	P-11512	KNURLED LIFTING SCREW, LEFT HAND, X-SERIES
53	P-49	CAP SCREW
54	P-578	DELIVERY ROLLER BEARING RETAINING WASHER
55	P-255455	IDLER GEAR ASSEMBLY
56	P-8100	OSCILLATING ROLLER INTERMEDIATE GEAR SCREW
57	P-477	NUT
58	P-255521	OSCILLATING ROLLER ASSEMBLY
59	P-255524	OSCILLATING ROLLER ASSEMBLY
60	P-255528	SHAFT, OSCILLATING ROLLER
61	P-255566	OSCILLATING ROLL TIE BAR
62	P-255532	END CAP, LEFT HAND
63	P-255516	END CAP, RIGHT HAND, OSCILLATING ROLL
64	P-255463	HALF-NUT, OSCILLATOR DOG
65	P-6919	SLEEVE, RIGHT HAND OSCILLATING ROLL
66	P-225518	GEAR ASSEMBLY, OSCILLATING DRIVE (ALSO USED ON SECOND HEAD)
66A	P-3034	DOWEL PIN (2 EA)
66B	P-5582	NEEDLE BEARING
67	P-1141	RING
68	P-591	MACHINE SCREW
69	P-615	THRUST WASHER
70	P-21009	BACK IDLER ROLLER ASSEMBLY (SUR. LEN. 13-1/16" x O.A.L. 16-1/2")
71	P-21022	BACK IDLER ROLLER ASSEMBLY (SUR. LEN. 13-1/16")
72	P-815	IDLER ROLLER BEARING
73	P-235	IDLER ROLLER SCREW
74	P-255030	INK DUCTOR ROLLER ASSEMBLY
75	P-21030	ROLLER
76	P-5832	OILITE BEARING
77	P-698	RETAINING RING
78	P-255690	INKER DUCTOR PIVOT SHAFT ASSEMBLY
79	P-255394	INKER DUCTOR PIVOT SHAFT SUB-ASSEMBLY
80	P-255332	INK DUCTOR PIVOT SHAFT
81	P-350	ROLL PIN
82	P-225322	CENTER PIVOT
83	P-350	ROLL PIN
83A	P-6001	GROOVE PIN
84	P-255334	DUCTOR OPERATING ARM
85	P-668	RETAINING RING
86	P-255550	ROCKER SHAFT DUCTOR YOKE
87	P-255572	DUCTOR ARM
88	P-255551	DUCTOR ROLLER RETAINING LATCH
89	P-15331	DUCTOR ROLL RETAINING PAWL SPRING - NON-OPERATORS SIDE.
90	P-15336	DUCTOR ROLL RETAINING PAWL SPRING - OPERATORS SIDE.
91	P-8096	INKER DUCTOR CAM ROLLER STUD
92	P-1431	INKER DUCTOR CAM ROLLER
93	P-477	JAM NUT
94	P-670	RETAINING RING
95	P-255641	INKER UNIT TIE BAR
96	P-1204	BUSHING
97	P-21011	INK FORM ROLLER ASSEMBLY (INCLUDES #37 & #38)
98	P-21012	INK FORM ROLLER ASSEMBLY
99	P-21035	INK FOUNTAIN ROLLER ASSEMBLY - 1/2" SHAFT (X-SERIES)
	P-21036	INK FOUNTAIN ROLLER ASSEMBLY - 7/16" SHAFT (SUPER CHIEF 2000)
100	P-255570	INKER UNIT TIE BAR
101	P-57	CAP SCREW
102	P-255766	INK TROUGH ASSEMBLY (INK FOUNTAIN)
103	P-255789	INK TROUGH
104	P-255084	ADJUSTING SCREW LOCK SPRING
105	P-255233	BLADE, INK TROUGH DUCTOR
106	P-255082	CLAMPING STRIP DUCTOR BLADE
107	P-988	FLAT HEAD SCREW

"P-" NUMBERS MAY BE INTERCHANGEABLE FOR BOTH CHIEF & GESTETNER AS INDICATED IN THE DESCRIPTION.

"G-" NUMBERS ARE FOR GESTETNER ONLY.

DRAWING #32
INK UNIT & ROLLERS (continued from last page)
APACHE, SUPER CHIEF 2000, X-SERIES



SEE DRAWING #33

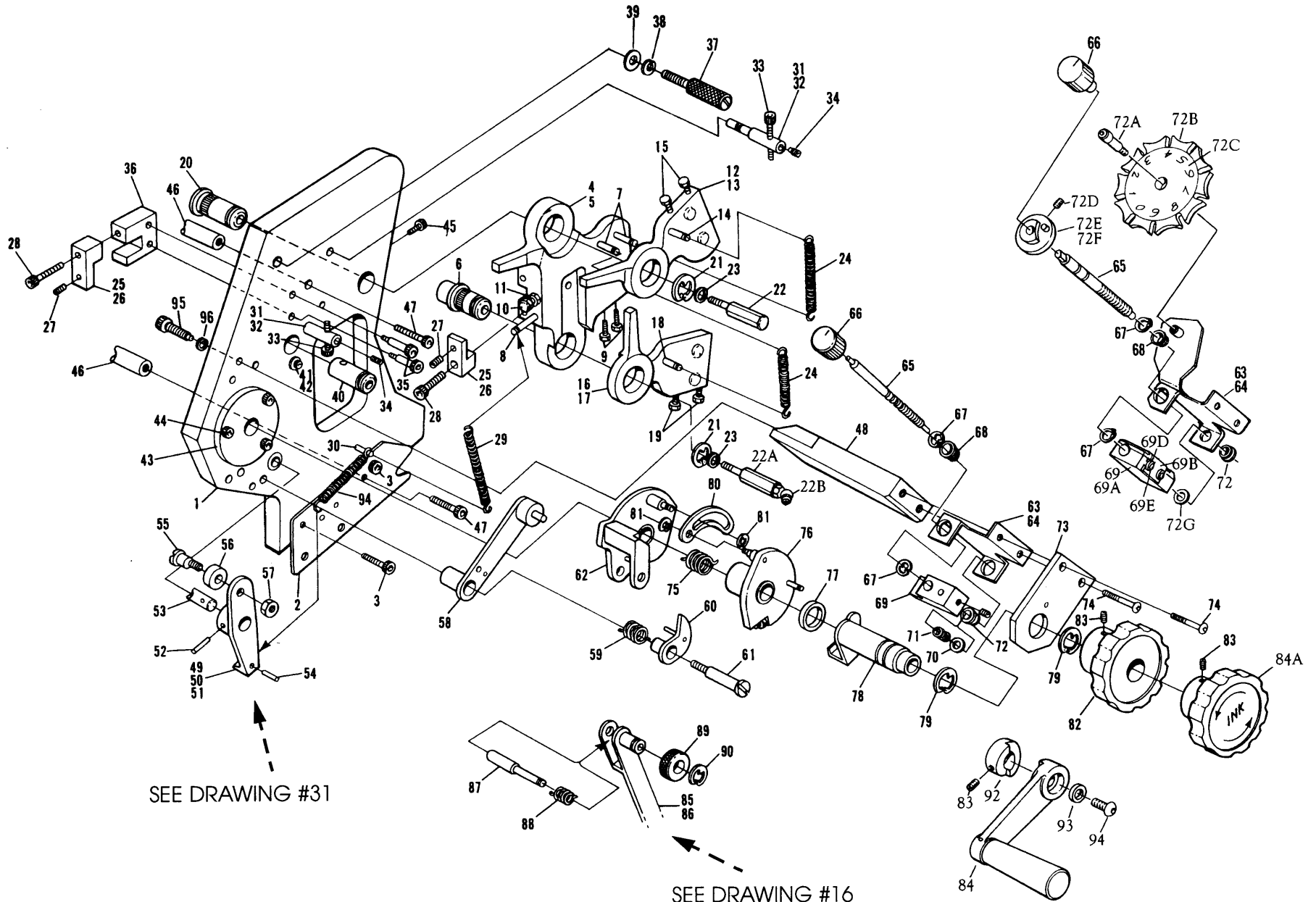
PAGE #32
INK UNIT & ROLLERS (continued from last page)
SUPER CHIEF 2000, X-SERIES, APACHE

KEY	PART	DESCRIPTION
108	P-11509	BLADE ADJUSTING SCREW
109	P-7907	STUD, INTERMEDIATE
110	P-210831	OSCILLATING ROLLER & SHAFT ASSEMBLY
111	P-255518	GEAR, OSCILLATING
112	P-5362	CAP SCREW
113	P-210832	ASSEMBLY OSCILLATING CORE ROLL
114	P-255691	LOWER ROLLER MOUNTING BRACKET, LEFT HAND, NEW STYLE, 2000 & X-SERIES.
115	P-73	SHOULDER SCREW
	P-1525	SHOULDER SCREW, 2000.
116	P-50032	SPRING (SEE PAGE 20, ITEM #79)
117	P-1496	BUSHING (FOR #46, #47), 2000.

KEY	PART	DESCRIPTION

"P-" NUMBERS MAY BE INTERCHANGEABLE FOR BOTH CHIEF & GESTETNER AS INDICATED IN THE DESCRIPTION.
"G-" NUMBERS ARE FOR GESTETNER ONLY.

DRAWING #33
INK UNIT, LEFT HAND (OPERATORS SIDE)
APACHE, SUPER CHIEF 2000, X-SERIES



PAGE #33
INK UNIT - LEFT HAND (OPERATORS SIDE)
APACHE, SUPER CHIEF 2000, X-SERIES

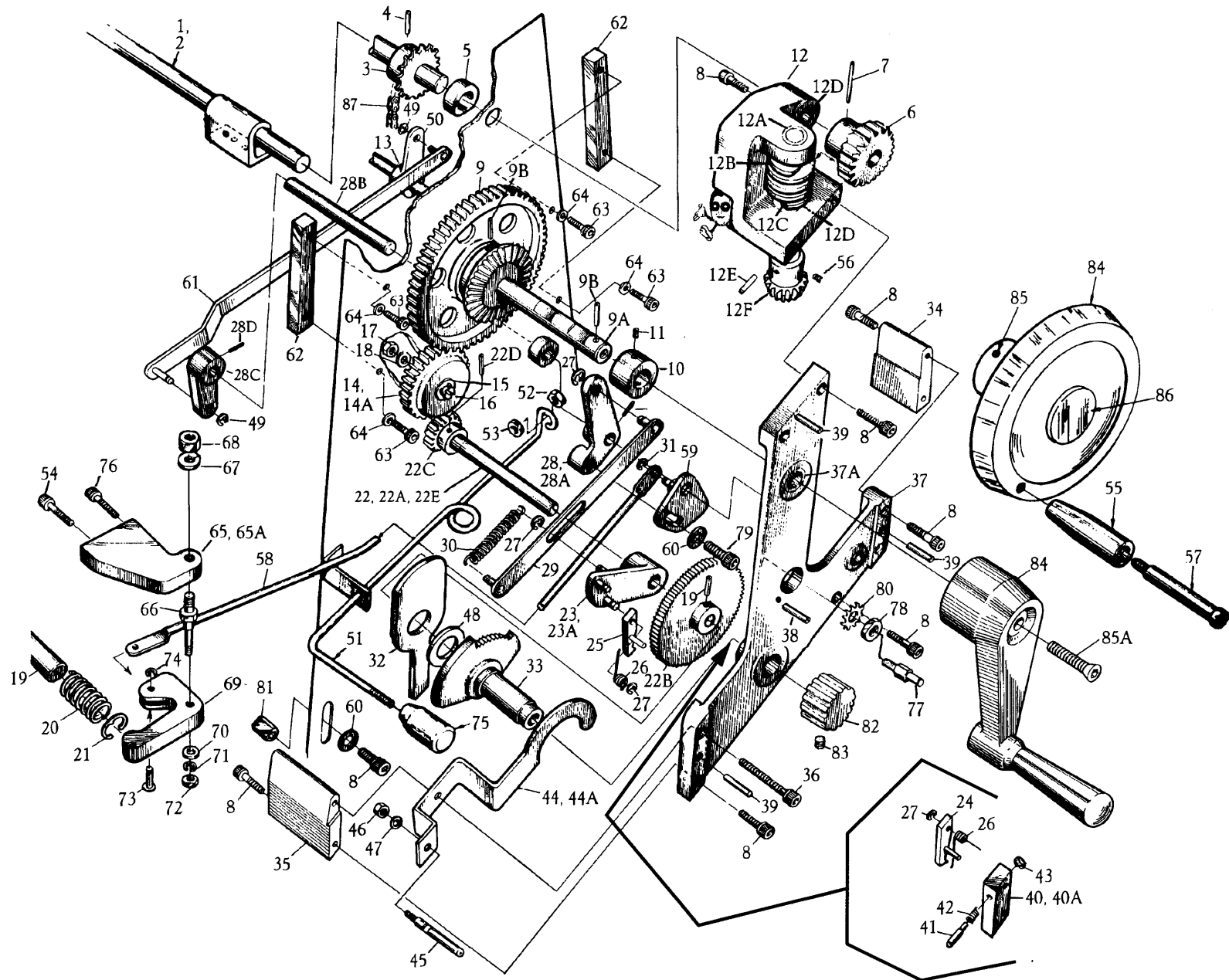
KEY	PART	DESCRIPTION
1	P-200700	INK LEFT HAND SIDE PLATE (2000)
	P-255700	INK LEFT HAND SIDE PLATE (X-SERIES)
2	P-255655	INKER UNIT SIDE PLATE LEFT HAND
3	P-55	CAP SCREW
4	P-255423	FORM ROLL SUPPORT CENTER LEFT HAND SUB-ASSEMBLY (X-SERIES)
5	P-255429	FORM ROLL SUPPORT CENTER, LEFT HAND (X-SERIES)
6	P-7128	OSCILLATOR ROLL SUPPORT STUD
7	P-6001	GROOVE PIN
8	P-3037	GROOVE PIN
9	P-5474	HEX HEAD SCREW
10	P-5521	HEX HEAD SCREW
11	P-469	NUT
12	P-255487	FORM ROLL SUPPORT UPPER, LEFT HAND
14	P-6001	GROOVE PIN
15	P-5474	HEX HEAD SCREW
16	P-255491	FORM ROLL SUPPORT LOWER, LEFT HAND, SUB-ASS'Y. (INCLUDES #18 & #19)
17	P-255493	FORM ROLL SUPPORT LOWER, LEFT HAND
18	P-6001	GROOVE PIN
19	P-5474	HEX HEAD SCREW
20	P-215265	SUPPORT STUD-OSCILLATING ROLLER
21	P-708	RETAINING RING
22	P-7708	INK OSCILLATING ROLLER STUD
22A	P-7709	OSCILLATING ROLLER STUD WITH #22B
22B	P-1976	GREASE FITTING
23	P-645	LOCK WASHER
24	P-15425	INKER TOP FORM ROLLER SPRING
25	P-255563	IDLER ROLLER ADJUSTING BLOCK SUB-ASSEMBLY
26	P-255580	IDLER ROLLER ADJUSTING BLOCK
27	P-1608	SET SCREW
28	P-52	CAP SCREW
29	P-15625	SPRING
30	P-3037	SPRING PIN
31	P-255255	FORM ROLLER ADJUSTING BLOCK ASSEMBLY
32	P-4526	FORM ROLLER ADJUSTING BLOCK
33	P-48	CAP SCREW
34	P-1004	SET SCREW
35	P-1525	SHOULDER SCREW
36	P-255683	BACK IDLER ROLLER MOUNTING BRACKET
37	P-11512	LIFTING SCREW INKER
38	P-627	LOCK WASHER
39	P-10915	WASHER
40	P-1496	INKER DISTRIBUTOR ROLLER BEARING
41	P-578	DELIVERY ROLLER BEARING RETAINING WASHER
42	P-49	CAP SCREW
43	P-255319	INK FOUNTAIN ROLLER BEARING COMPLETE, LEFT HAND
43B	P-1225	BUSHING FOR #43
44	P-51	CAP SCREW
45	P-49	CAP SCREW
46	P-255641	INKER UNIT TIE BAR
47	P-57	CAP SCREW
48	P-255252	SUPPORT
49	P-255690	INKER DUCTOR PIVOT SHAFT ASSEMBLY
50	P-255394	INKER DUCTOR PIVOT SHAFT SUB-ASSEMBLY
51	P-255334	DUCTOR ADJUSTING PLATE
52	P-350	ROLL PIN
53	P-255332	INK DUCTOR PIVOT SHAFT
54	P-6001	GROOVE PIN
55	P-8096	INKER DUCTOR CAM ROLLER STUD
56	P-1431	INKER DUCTOR CAM ROLLER
57	P-477	JAM NUT
58	P-255905	INKER SHUT-OFF LEVER ASSEMBLY
59	P-255324	TORSION SPRING
60	P-255907	PAWL ASSEMBLY
61	P-8129	INKER SHUT-OFF LEVER STUD

KEY	PART	DESCRIPTION
62	P-255361	INKER CAM DUCTOR
63	P-200269	ADJUSTING ASSEMBLY (2000)
	P-255269	ADJUSTING ASSEMBLY (X-SERIES)
64	P-200253	SCREW SHAFT SUPPORT (2000)
	P-255254	SCREW SHAFT SUPPORT (X-SERIES)
65	P-9129	ADJUSTING SCREW (2000)
	P-9116	ADJUSTING SCREW (X-SERIES)
66	P-11911	KNOB CONTROL (2000)
	P-11557	KNOB CONTROL (X-SERIES)
67	P-670	RETAINING RING (2000,X-SERIES)
68	P-4319	NYLINER BEARING (2000)
	P-4306	NYLINER BEARING (X-SERIES)
69	P-200600	ADJUSTING BLOCK (2000)
	P-255600	BLOCK & CLIP ASSEMBLY (X-SERIES)
69A	P-255605	BLOCK ONLY (X-SERIES)
69B	P-255601	CLIP (X-SERIES)
69C	P-836	SCREW (X-SERIES)
69D	P-561	WASHER (X-SERIES)
70	P-5461	SPACER
71	P-51421	SCREW SHAFT SPRING (2000)
72	P-4302	NYLINER BEARING (2000)
72A	P-44	SCREW (X-SERIES)
72B	P-255277	INDICATOR WHEEL (X-SERIES) COMES WITH P-7429 DECAL.
72C	P-7429	DECAL
72D	P-850	SET SCREW (X-SERIES)
72E	P-255688	INDICATOR HUB ASSEMBLY (X-SERIES)
72F	P-323	DOWEL PIN (X-SERIES)
72G	P-5848	WASHER
73	P-255586	SUPPORT CAP
74	P-5390	CAP SCREW
75	P-255248	SPRING (X-SERIES)
	P-255267	SPRING (SUPER CHIEF 2000, OLD STYLE)
	P-200267	SPRING (SUPER CHIEF 2000, NEW STYLE)
76	P-255226	INK STOP ASSEMBLY (X-SERIES) (INCLUDES #75, 76A, 76B, 76C, 76D)
	P-200226	INK STOP ASSEMBLY (SUPER CHIEF) (INCLUDES #75, 76A, 76B, 76C, 76D)
76A	P-401	ROLL PIN
76B	P-5800	NEEDLE BEARING
76C	P-36	CAP SCREW
76D	P-460	NUT
76E	P-255229	INK STOP ONLY (X-SERIES & SUPER CHIEF)
	P-200266	INK STOP ONLY (2215/2217, 2115/2117)
77	P-10953	WASHER
78	P-255272	KNOCK-OFF
	P-255275	KNOCK-OFF ASSEMBLY
79	P-10801	RETAINING RING
80	P-255268	LINK
81	P-668	RETAINING RING
82	P-255405	INK CONTROL KNOB
83	P-8	SET SCREW
84	P-255863	INK FOUNTAIN ROLLER CRANK (X-SERIES)
84A	P-225863	INK FOUNTAIN ROLLER KNOB (2000) ALSO USED ON SECOND UNIT.
85	P-255237	INK OPERATING LINK ASSEMBLY (X-SERIES)
	P-200237	INK OPERATING LINK ASSEMBLY (2000)
86	P-255265	INK OPERATING LINK (2000, X-SERIES)
87	P-4725	PLUNGER
88	P-15278	SPRING
89	P-11551	KNOB
90	P-287	RETAINING RING
91	P-15549	SPRING
91A	P-255476	PLATE ASSEMBLY (X-SERIES) (not shown)
	P-200476	PLATE ASSEMBLY (2000) (not shown)
92	P-6706	CRANK COLLAR
93	P-10872	WASHER
94	P-136	SCREW

"P-" NUMBERS MAY BE INTERCHANGEABLE FOR BOTH CHIEF & GESTETNER AS INDICATED IN THE DESCRIPTION.

"G-" NUMBERS ARE FOR GESTETNER ONLY.

DRAWING #34
CHAIN PILE DELIVERY DRIVE
ALL CHIEFS / GESTETNER 312, 311, 312, 313



PAGE #34
CHAIN PILE DELIVERY DRIVE
ALL CHIEFS / GESTETNER 213, 311, 312, 313

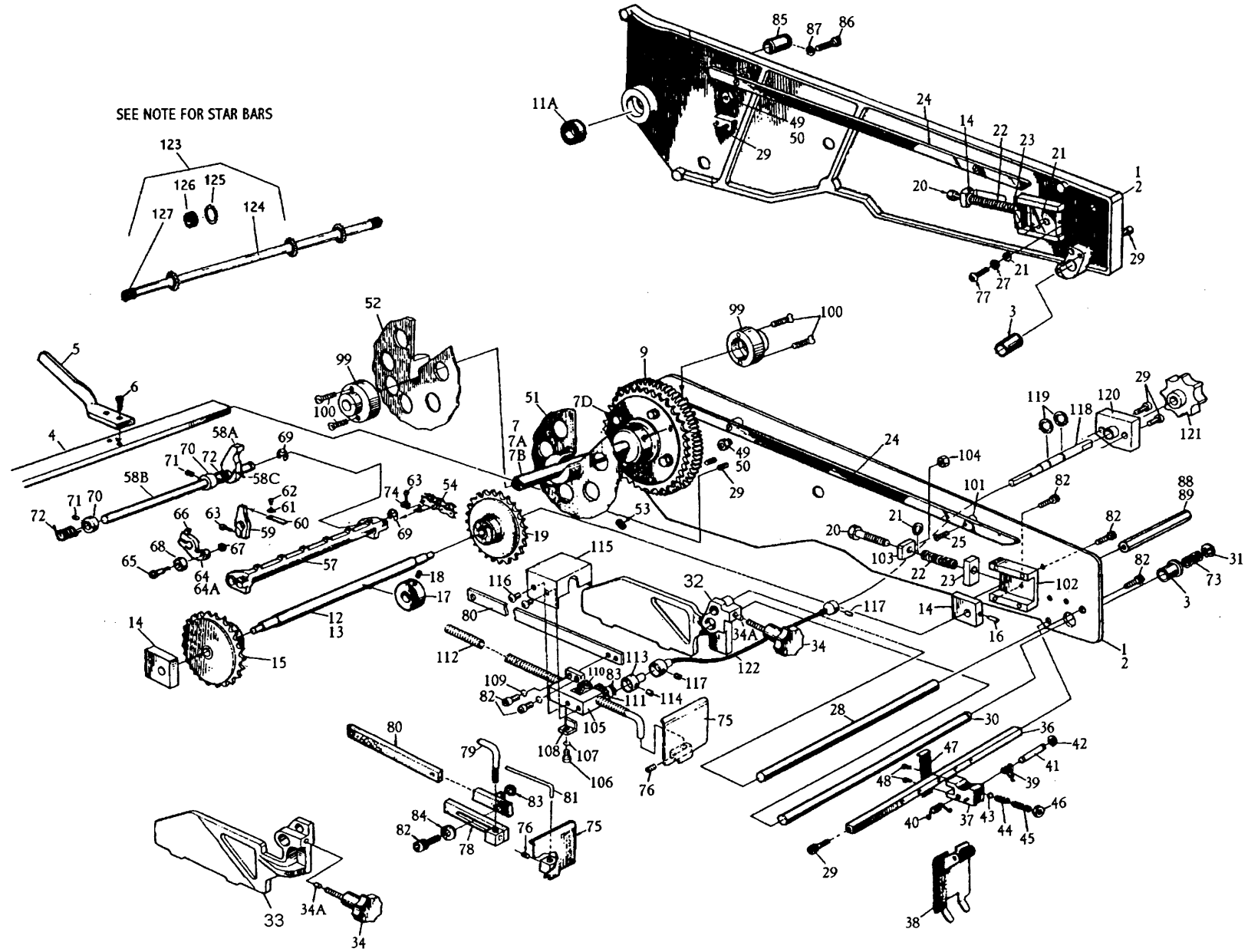
KEY	PART	DESCRIPTION
1	P-152470	DRIVE SHAFT ASSEMBLY (COMPLETE) (15,115,215,17,117,217, G-311, G-312)
	P-2552470	DRIVE SHAFT ASSEMBLY (COMPLETE) (2000, X-SERIES, G-213, G-313)
2	P-152510	DRIVE SHAFT (15,115,215,17,117,217, G-311, G-312)
	P-2552510	DRIVE SHAFT (2000, X-SERIES, G-213, G-313)
3	P-15117	SPROCKET (PILOT HOLE ONLY-MUST BE FINISHED DRILLED WITH 5/32" DRILL FOR PIN # P-393).
4	P-393	ROLL PIN
5	P-6807	DRIVE SHAFT SPACER
6	P-152360	PILE WORM GEAR 20T, 12P
7	P-395	ROLL PIN
8	P-54	CAP SCREW
9	P-1152212	DRIVE GEAR & SHAFT ASSEMBLY
9A	P-7171	SHAFT ONLY
9B	P-396	ROLL PIN
10	P-743	COLLAR
11	P-18	SET SCREW
12	P-152290	WORM DRIVE GEAR ASSEMBLY
12A	P-10608	SHAFT-HOLES NEED TO BE DRILLED AT ASSEMBLY.
12B	P-15014	WORM GEAR (INCLUDES ITEM #56)
12C	P-390	ROLL PIN
12D	P-1220	BUSHING
12E	P-381	ROLL PIN
12F	P-152361	BEVEL GEAR (INCLUDES ITEM #56)
13	P-25	SET SCREW
14	P-152213	PILE INTERMEDIATE GEAR ASSEMBLY - INCLUDES ITEM #14.
14A	P-822	BUSHING
15	P-670	RETAINING RING
16	P-9087	INTERMEDIATE GEAR STUD
17	P-490	NUT
18	P-628	LOCK WASHER
19	P-151940	JOGGER SHAFT (15, 115, 215, 17, 117, 217, G-311, G-312)
20	P-152101	SPRING
21	P-672	RETAINING RING
22	P-152198	RATCHET SHAFT & PAWL ARM ASSEMBLY (SEE X-SERIES)
22A	P-152199	RATCHET SHAFT ASSEMBLY
22B	P-152210	RATCHET
22C	P-152231	PILE RATCHET DRIVE GEAR
22D	P-381	ROLL PIN
22E	P-152230	SHAFT
23	P-151591	RATCHET PAWL ARM ASSEMBLY
23A	P-824	BUSHING - FOR ITEM #23, CHIEF ONLY.
24	P-152170	RATCHET PAWL LOCK ASSEMBLY (ONLY)
25	P-152270	RATCHET PAWL FEED ASSEMBLY (ONLY)
26	P-15248	RATCHET PAWL SPRING
27	P-668	RETAINING RING
28	P-151551	PILE DRIVE LINK ASSEMBLY (SEE X-SERIES)
28A	P-151553	PILE DROP DRIVE & JOGGER LINK ARM
28B	P-151555	DRIVE LINK PIVOT SHAFT
28C	P-151552	DRIVE LINK DRIVEN ARM
28D	P-381	ROLL PIN
29	P-151554	PILE DROP DRIVE LINK ASSEMBLY (ONLY)
30	P-151810	PILE DROP DRIVE CONNECTING SPRING
31	P-666	RETAINING RING
32	P-151514	PAWL KNOCK-OFF CAM
33	P-1152170	PILE DROP CONTROL CAM ASSEMBLY
34	P-151517	PLATE END BLOCK
35	P-151516	PLATE END BLOCK
36	P-59	CAP SCREW
37	P-152852	DROP CONTROL SUPPORT PLATE ASSEMBLY
37A	P-1220	BUSHING (INCLUDED IN #37)

KEY	PART	DESCRIPTION
38	P-10665	LOCK SPRING PIN
39	P-381	ROLL PIN
40	P-152175	RATE CONTROL PIN BLOCK ASSEMBLY - INCLUDES ITEM #40 - #43.
40A	P-152176	BLOCK
41	P-7100	LOCATING STUD
42	P-15601	SPRING
43	P-661	RETAINING RING
44	P-115109	CUT OUT LEVER ASSEMBLY (15,115,215,17,117,217)
44A	G-115110	CUT OUT LEVER (COMPLETE) (G-311, G-312, G-213, G -313)
	P-115110	CUT OUT LEVER (ONLY) (15,115,215,17,117,217)
45	P-7126	STUD
46	P-469	NUT
47	P-625	LOCK WASHER
48	P-622	WASHER
49	P-668	RETAINING RING
50	P-15037	DRIVE LINK ARM (CONNECTS TO ITEM #61 ON FIG #3)
51	P-1151511	KNOCK-OFF EXTENSION (CONNECTS TO ITEM #15 ON FIG #3)
52	P-473	NUT
53	P-472	LOCK NUT
54	P-1564	CAP SCREW (213, 311, 312, 313)
55	P-15961	HAND WHEEL KNOB
56	P-14	SET SCREW
57	P-4521	HAND WHEEL STUD
58	P-151596	CONNECTING LINK
59	P-151597	LINK ARM EXTENSION ASSEMBLY (ONLY)
60	P-10915	WASHER
61	P-151592	DRIVE LINK & LINK PIN ASSEMBLY (ONLY)
62	P-151575	CHAIN DELIVERY TO PILE SPACER
63	P-58	CAP SCREW
64	P-10917	WASHER
65	P-151565	BELL CRANK BRACKET ASSEMBLY (INCLUDES ITEMS 65 THROUGH 74)
65A	P-151566	BELL CRANK BRACKET
66	P-7104	BELL CRANK BRACKET STUD
67	P-627	LOCK WASHER
68	P-486	NUT
69	P-151570	BELL CRANK
70	P-572	WASHER
71	P-625	LOCK WASHER
72	P-469	NUT
73	P-4716	CONNECTING PIN
74	P-666	RETAINING RING
75	P-11555	KNOB
76	P-905	CAP SCREW
77	P-7105	LOCK PAWL STUD
78	P-477	NUT
79	P-64	CAP SCREW
80	P-627	LOCK WASHER
81	P-7701	PLATFORM STOP, LEFT HAND (SHOWN)
	P-7700	PLATFORM STOP, RIGHT HAND
82	P-5321	PILE DROP CONTROL KNOB ASSEMBLY - INCLUDES ITEM #83.
83	P-5	SET SCREW
84	P-15955	HAND WHEEL ASSEMBLY (ONLY) - INCLUDES ITEM #85 & #86.
85	P-16	SET SCREW
86	P-7410	DECAL

"P-" NUMBERS MAY BE INTERCHANGEABLE FOR BOTH CHIEF & GESTETNER AS INDICATED IN THE DESCRIPTION.

"G-" NUMBERS ARE FOR GESTETNER ONLY.

DRAWING #35
CHAIN DELIVERY - 1 COLOR PRESSES (continued on next page)
ALL CHIEFS / GESTETNER 213, 311, 312, 313



PAGE #35
CHAIN DELIVERY - 1 COLOR PRESSES (continued on next page)
ALL CHIEFS / GESTETNER 213, 311, 312, 313

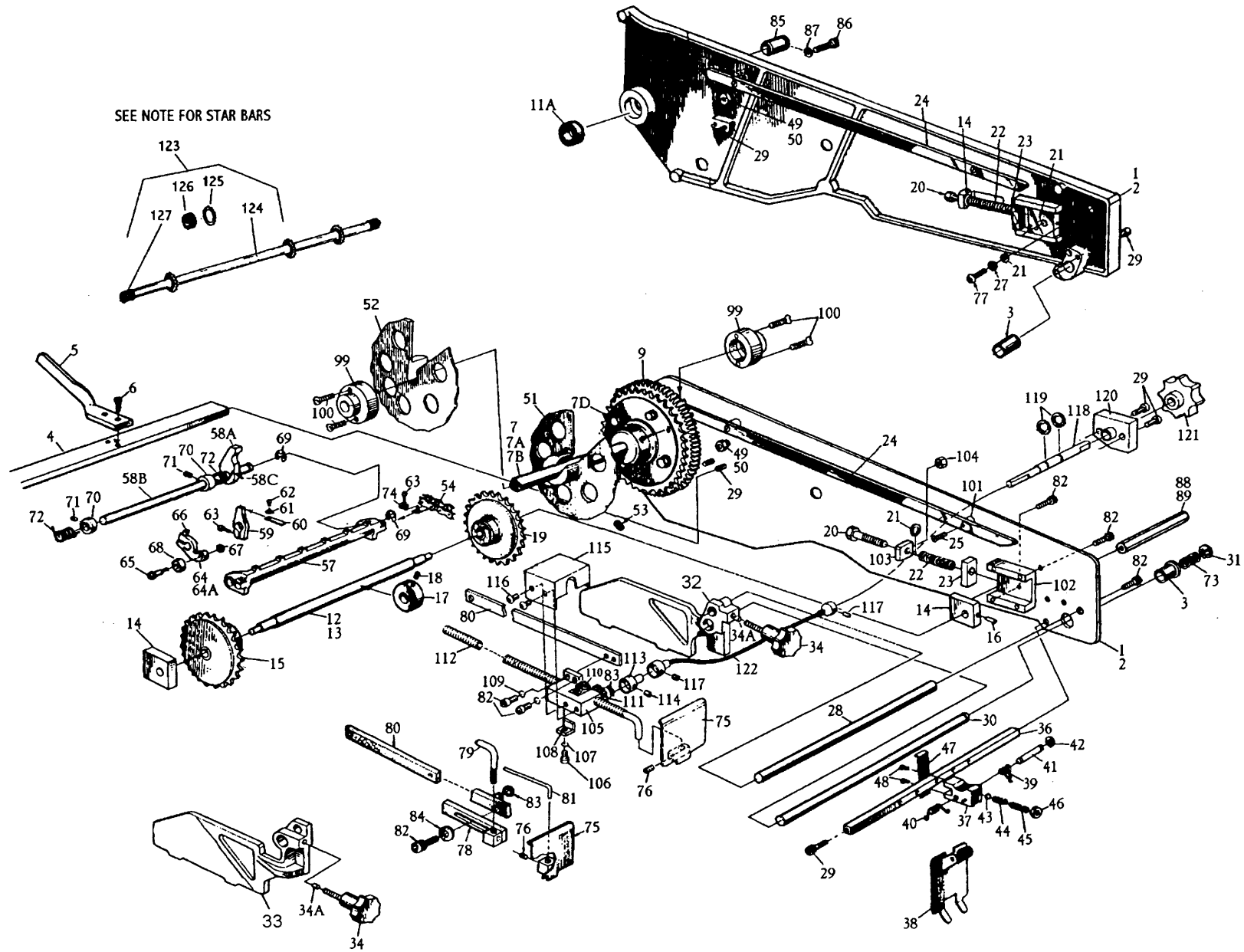
KEY	PART	DESCRIPTION
1	P-152850	SUPPORT SIDE FRAME, L.H. (15,115,215,17,117,217)
	P-2552850	SUPPORT SIDE FRAME, L.H. (2000,X-SERIES)
1A	G-152850	SUPPORT, L.H. (G-213,311,312,313)
2	P-152670	SUPPORT SIDE FRAME, RIGHT HAND (NOT SHOWN)
	P-2552670	SUPPORT SIDE FRAME, RIGHT HAND (NOT SHOWN)
2A	G-152670	SUPPORT, RIGHT HAND
3	P-1238	BUSHING (15,115,215,17,117,217)
	P-1266	FLANGED BUSHING (2000,X-SERIES)
4	P-151800	FRONT TIE BAR (15,115,215,17,117,217,G-311,312)
	P-2551800	FRONT TIE BAR (2000,X-SERIES)
4A	G-151800	FRONT TIE BAR (G-213,313)
5	P-151240	PICK-UP CAM ASSEMBLY
6	P-1010	CAP SCREW
7	P-1151159	FRONT SPROCKET SHAFT ASS'Y. (CHIEF 115,215,117,217 ONLY) ITEMS 7A -12.
	P-2551159	FRONT SPROCKET SHAFT ASS'Y. (CHIEF 2000, X-SERIES ONLY) ITEMS 7A -12.
7A	P-151160	FRONT SPROCKET SHAFT ASSEMBLY (CHIEF & G-311,312)
	G-151160	FRONT SPROCKET SHAFT ASSEMBLY (G-213,313)
7B	P-151220	SHAFT (115,117,215,217,G-311, 312)
	P-2551220	SHAFT (2000,X-SERIES) (NOT DRILLED)
7C	G-151220	SHAFT (G-213,313) (NOT DRILLED)
7D	P-151180	SPROCKET
7E	P-151260	SPROCKET (NOT SHOWN)
7F	P-450	TAPER PIN
8	P-861	SET SCREW
9	P-1151140	DRIVE GEAR (CHIEF ONLY)
9A	P-151140	DRIVE GEAR (G-311,312,213,313)
10	P-89	CAP SCREW
11	P-627	LOCK WASHER
11A	P-776	BEARING
12	P-151580	BACK SPROCKET SHAFT ASSEMBLY (G-311,312) (ITEMS 13 - 16)
	P-2551580	BACK SPROCKET SHAFT ASSEMBLY (2000,X-SERIES)
	G-151580	BACK SPROCKET SHAFT ASSEMBLY (G-213,313) (ITEMS 13 - 16)
13	P-151600	SHAFT (15,115,215,17,117,217, G-311, 312)
	P-2551600	SHAFT (2000,X-SERIES)
	G-151600	SHAFT (G-213, 313)
13A	P-1057	SPACER (G-213, 313)
13B	P-151461	REAR SHAFT ADAPTER - MUST BE DRILLED FOR ROLL PIN ITEM #16.
14	P-151620	SPROCKET ASSEMBLY, LEFT HAND (ONLY)
15	P-386	ROLL PIN
16	P-6928	GRIPPER RELEASE CAM
17	P-25	SET SCREW
18	P-151620	SPROCKET ASSEMBLY, RIGHT HAND (ONLY) (NOT SHOWN)
19	P-1239	BUSHING FOR ITEM #15 & #19
19A	P-5354	ADJUSTING SCREW
20	P-599	WASHER
21	P-151420	SPRING
22	P-151460	ADJUSTING NUT
23	P-151210	UPPER CHAIN GUIDE
24	P-997	SCREW (15,115,215,17,117,217)
25	P-1004	SCREW (2000,X-SERIES)
26	P-572	WASHER
27	P-634	LOCK WASHER
28	P-151801	LEFT HAND SIDE GUIDE SHAFT (15,115,215,17,117,217, G-311,312)
	P-2551801	LEFT HAND SIDE GUIDE SHAFT (2000,X-SERIES)
28A	G-151801	GUIDE SHAFT (G-213, 313)
29	P-65	CAP SCREW (G-213, 311, 312, 313)
	P-146	CAP SCREW (2000,X-SERIES)
30	P-151940	JOGGER SHAFT (15,115,215,17,117,217, G-311,312)
	P-2551940	JOGGER SHAFT (2000,X-SERIES, G-213,313)
31	P-672	RETAINING RING

KEY	PART	DESCRIPTION
32	P-152160	BLADE HOLDER, L.H. (15,115,215,17,117,217, G-213,311,312,313)
	P-2552160	BLADE HOLDER, L.H. (2000,X-SERIES)
33	P-151660	BLADE HOLDER, R.H. (NOT SHOWN) (15,115,215,17,117,217, G-213, 311, 312, 313)
	P-2551660	BLADE HOLDER, R.H. (NOT SHOWN) (2000,X-SERIES)
34	P-1514	BLADE HOLDER KNOB
34A	P-1116	JOGGER LOCK SCREW PLUG
35	P-152240	BACK STOP TIE BAR ASS'Y. (15,115,215,17,117,217, G-311,312) (ITEMS #36 - #48)
	P-2552240	BACK STOP TIE BAR ASS'Y. (2000,X-SERIES)
	G-152220	BACK STOP TIE BAR ASS'Y. (G-213, 313) (ITEMS #36 - #48)
36	P-152220	BACK STOP TIE BAR (15,115,215,17,117,217, G-311, 312)
	P-2552220	BACK STOP TIE BAR (2000,X-SERIES)
37	P-152260	BACK STOP BLOCK ASSEMBLY (ONLY)
38	P-152420	BACK STOP BLADE ASSEMBLY (ONLY)
39	P-152421	BACK STOP SPRING, RIGHT HAND
40	P-152423	BACK STOP SPRING, LEFT HAND (NOT SHOWN)
41	P-4715	PIVOT PIN
42	P-668	RETAINING RING
43	P-755	STEEL POSITIONING BALL
44	P-152422	BLOCK SPRING
45	P-33	SET SCREW
46	P-492	JAM NUT
47	P-152280	BLOCK STOP STRIPPER
48	P-978	MACHINE SCREW
49	P-57	CAP SCREW
50	P-152214	ADJUSTING NUT
51	P-151320	PAPER GUIDE ASSEMBLY RIGHT HAND (ONLY) (INCLUDES ITEM 53)
52	P-151321	PAPER GUIDE ASSEMBLY LEFT HAND (ONLY) (INCLUDES ITEM 53)
53	P-21	SET SCREW
54	P-8945	CHAIN ASSEMBLY (FOR ALL ONE-COLOR PRESSES) (ITEMS 55 & 56)
55	P-8700	GRIPPER CARRIER LINK (FOR REPAIRS)
55A	P-4326	CHAIN CONNECTING LINK (FOR REPAIRS) (NOT SHOWN)
56	P-150990	GRIPPER BAR ASSEMBLY (15,115,215,17,117,217, G-311,312) (ITEMS #57 - #72)
	P-2550990	GRIPPER BAR ASSEMBLY (2000,X-SERIES, G-213,313)
57	P-151090	GRIPPER BAR ANVIL (15,115,215,17,117,217, G-311, 312)
	P-2551090	GRIPPER BAR ANVIL (2000,X-SERIES, G-213,313)
57A	P-821	BUSHING (INCLUDED IN ITEM #57)
58	P-151010	GRIPPER SHAFT ASSEMBLY (15,115,215,17,117,217)
58A	P-151063	GRIPPER RESET STOP
58B	P-151060	SHAFT (15,115,215,17,117,217)
	P-2551060	SHAFT (2000,X-SERIES, G-213,313)
58C	P-376	ROLL PIN
59	P-151061	GRIPPER
60	P-151020	GRIPPER FINGER
61	P-151062	GRIPPER FINGER SPRING CLIP
62	P-187	MACHINE SCREW
62A	P-10207	SCREW (G-311, 312, 313)
63	P-39	CAP SCREW
64	P-151040	OPERATING LEVER ASSEMBLY (ITEMS #64 - #68)
64A	P-151041	OPERATING LEVER
65	P-8037	SCREW
66	P-39	CAP SCREW
67	P-479	NUT
68	P-1424	ROLLER
69	P-670	RETAINING RING
70	P-98137	ADJUSTING COLLAR
71	P-7	SET SCREW
72	P-151080	SPRING
73	P-152101	SPRING
74	P-624	LOCK WASHER
75	P-151950	FRONT JOGGER BLADE ASSEMBLY (ONLY)

"P-" NUMBERS MAY BE INTERCHANGEABLE FOR BOTH CHIEF & GESTETNER AS INDICATED IN THE DESCRIPTION.

"G-" NUMBERS ARE FOR GESTETNER ONLY.

DRAWING #36
CHAIN DELIVERY - 1 COLOR PRESSES (continued from last page)
ALL CHIEFS / GESTETNER 213, 311, 312, 313



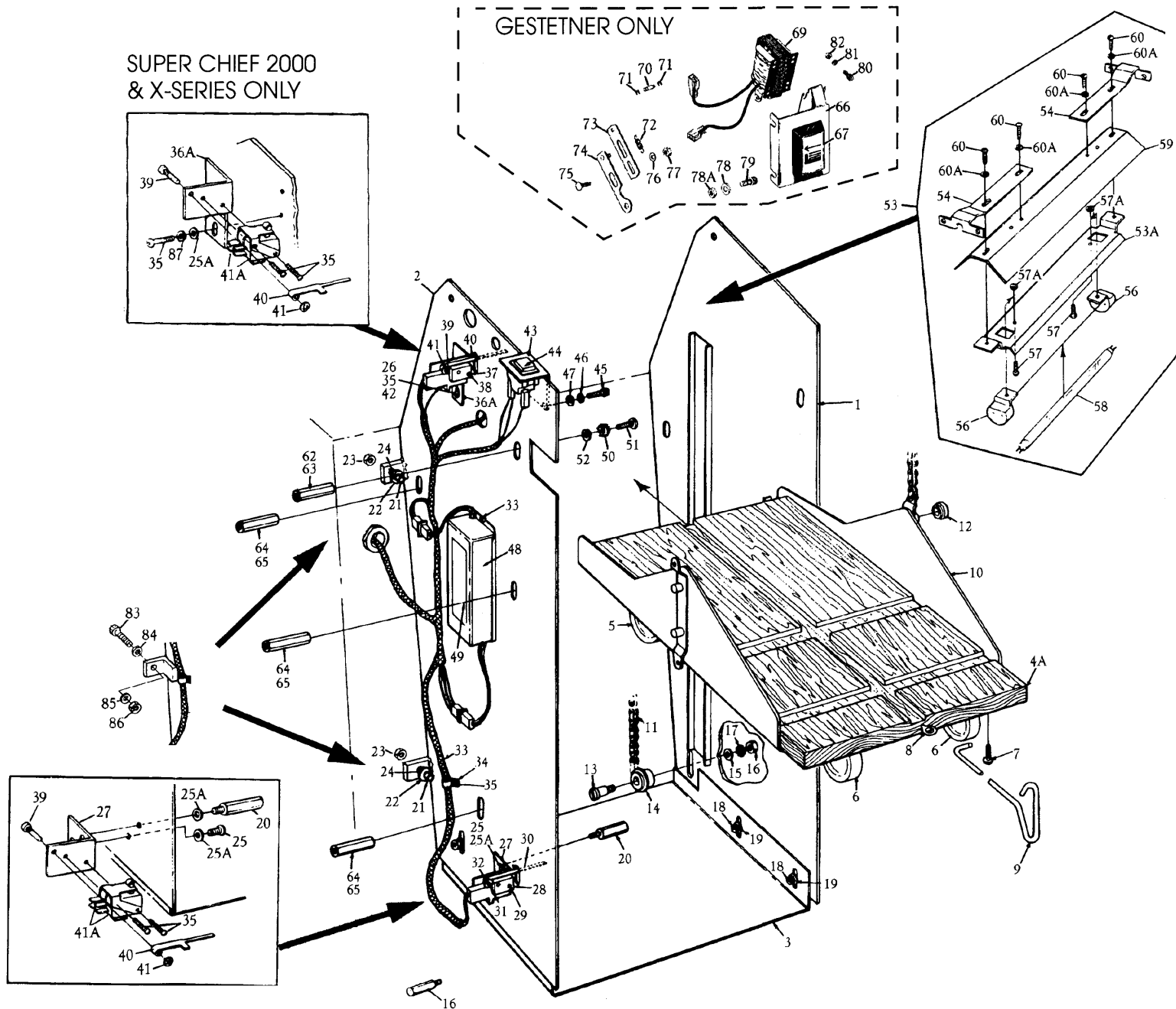
PAGE #36
CHAIN DELIVERY - 1 COLOR PRESSES (continued from last page)
ALL CHIEFS / GESTETNER 213, 311, 312, 313

KEY	PART	DESCRIPTION
76	P-18	SET SCREW
77	P-10248	CAP SCREW (115-117)
78	P-151911	JOGGER LINK CROSS BAR ASSEMBLY (ONLY)
78A	G-151911	JOGGER LINK CROSS BAR ASSEMBLY (G-213, 311, 312, 313)
79	P-11480	BACK STOP SCREW
79A	P-1539	THUMB SCREW (G-213, 311, 312, 313)
80	P-151912	FRONT JOGGER LINK ASSEMBLY (ONLY)
81	P-151910	JOGGER ADJUSTING ROD
82	P-44	CAP SCREW
83	P-669	RETAINING RING
84	P-574	WASHER
85	P-7117	SUPPORT PLUG
86	P-49	CAP SCREW
87	P-578	WASHER
88	P-7713	MOUNTING STUD LEFT HAND, 4-9/16 OAL.
89	P-7714	MOUNTING STUD RIGHT HAND (NOT SHOWN) 5-1/16 OAL.
90	P-5284	BUMPER
91	P-410	ROLL PIN
92	P-171170	RAIL SUPPORT RIGHT HAND (G-311, 312, 313)
93	P-171190	RAIL SUPPORT LEFT HAND (G-311, 312, 313)
94	P-11899	ADJUSTING NUT (G-311, 312, 313)
95	P-574	WASHER (G-311, 312, 313)
96	P-211	SCREW (G-311, 312, 313)
97	P-250	SCREW (G-311, 312, 313)
98	P-1125	GROMMET
99	P-2151200	SHAFT SUPPORT HOUSING (2000, X-SERIES)
100	P-123	SCREW
101	P-6935	SPACER
102	P-2151500	TAKE UP BLOCK (2000, X-SERIES) (ON 15'S & 17'S, THIS IS PART OF THE FRAME)
103	P-2151640	STUD BLOCK
104	P-490	NUT
105	P-2551911	REAR JOGGER BLOCK & PIN ASSEMBLY
106	P-5477	CAP SCREW
107	P-10846	WASHER
108	P-2551914	GUIDE BRACKET
109	P-625	WASHER
110	P-2551970	BEVEL GEAR - 15/16 I.D.
111	P-2551971	BEVEL GEAR - 1/4 I.D.
112	P-9170	JOGGER LEAD ROD
113	P-2551960	GEAR ADAPTER
114	P-1	SET SCREW
115	P-2551870	GEAR HOUSING COVER
116	P-5458	SCREW
117	P-4	SET SCREW
118	P-2551710	JOGGER ADJUSTING SHAFT
119	P-670	C-RING
120	P-2551750	BRACKET
121	P-2551650	KNOB
122	P-2551920	FLEXIBLE SHAFT
123	P-153010	STAR BAR ASSEMBLY - (15, 115, 215, 17, 117, 217)
	P-2553010	STAR BAR ASSEMBLY - (2000, X-SERIES)
124	P-153170	STAR BAR ONLY - (15, 115, 215, 17, 117, 217)
	P-2553170	STAR BAR ONLY - (2000, X-SERIES)
125	P-640	STAR WHEEL ONLY
126	P-1126	GROMMET
127	P-363110	ANCHOR SPRINGS

KEY	PART	DESCRIPTION
		NOTE: WHEN USING STAR BAR ASSEMBLIES YOU MUST REMOVE PAPER DEFLECTOR DISKS (items #51 & #52) FROM PRESS. YOU WILL NEED 3 STAR BARS FOR EVERY GRIPPER BAR. CALL AND ASK ABOUT MORE INFORMATION ON STAR BARS.

"P-" NUMBERS MAY BE INTERCHANGEABLE FOR BOTH CHIEF & GESTETNER AS INDICATED IN THE DESCRIPTION.
"G-" NUMBERS ARE FOR GESTETNER ONLY.

DRAWING #37
CHAIN DELIVERY BAS EXTENSION
ALL CHIEFS / GESTETNER 213, 311, 312, 313



PAGE #37
CHAIN DELIVERY BASE EXTENSION
ALL CHIEFS / GESTETNER 213, 311, 312, 313

KEY	PART	DESCRIPTION
1	P-152890	SIDE PLATE LEFT HAND ASSEMBLY (ONLY)
1A	G-152890	SIDE PLATE LEFT HAND (G-213, 311, 312, 313)
2	P-152910	SIDE PLATE RIGHT HAND ASSEMBLY (ONLY)
2A	G-152910	SIDE PLATE RIGHT HAND (G-213, 311, 312, 313)
3	P-152950	PILE DELIVERY FLOOR (G-311, 312)
4	P-152440	DOLLY BOARD ASSEMBLY (G-311, 312) (ITEMS 4 THRU 8)
4A	P-152500	DOLLY BOARD (G-311, 312)
5	P-1647	CASTER (RIGID) (G-213, 311, 312, 313)
6	P-1641	CASTER (SWIVEL) (G-213, 311, 312, 313)
7	P-1033	WOOD SCREW
8	P-1093	EYE BOLT
9	P-5023	DOLLY PULL ROD
10	P-1152410	PILE DELIVERY TRAY FRAME ASSEMBLY (ONLY) (G-311, 312)
11	P-8954	CHAIN 1/2P 190 PITCHES
12	P-6932	LIFTING PLATE ROLL
13	P-8111	PULLEY SPROCKET IDLER STUD
14	P-5115	LIFTING CHAIN PULLEY
15	P-10915	WASHER
16	P-486	NUT
17	P-627	LOCK WASHER
18	P-49	CAP SCREW
19	P-574	WASHER
20	P-7102	DELIVERY TRAY STOP
21	P-60	CAP SCREW (15,115,17,117)
22	P-10917	WASHER (15,115,17,117)
23	P-477	NUT (15,115,17,117)
24	P-7101	RUNNER BLOCK ADJUSTING SCREW (15,115,17,117)
25	P-211	MACHINE SCREW
25A	P-576	WASHER
26	P-1152899	LOWER LIMIT SWITCH ASSEMBLY (ITEMS 27 THRU 32) (15,115,17,117)
27	P-1152900	SWITCH BRACKET
27A	P-152900	SWITCH BRACKET (G-213, 311, 312, 313)
28	P-4471	LIMIT SWITCH (15,115,17,117)
28A	P-4074	LIMIT SWITCH (G-213, 311, 312, 313)
28B	P-152901	SWITCH COVER (G-213, 311, 312, 313)
29	P-230	MACHINE SCREW
29A	P-198	SCREW (G-213, 311, 312, 313)
29B	P-460	NUT (G-213, 311, 312, 313)
30	P-1152700	FINGER
31	P-4736	PIVOT PIN
32	P-10871	PUSH NUT
33	P-9718	ACCESSORY CONTROL HARNESS (15,115,17,117)
33A	G-9718	HARNESS (G-213,311,312,313)
34	P-1840	CABLE CLAMP
35	P-138	BUTTON HEAD SCREW
36	P-1152660	UPPER LIMIT SWITCH ASSEMBLY (ITEMS 36 THRU 41) (15,115,17,117)
36A	P-1152670	SWITCH BRACKET
37	P-4471	LIMIT SWITCH (15,115,17,117)
38	P-230	MACHINE SCREW (15,115,17,117)
39	P-4736	PIVOT PIN
40	P-1152700	FINGER
41	P-10871	PUSH NUT
41A	P-4070	SWITCH (2000, X-SERIES)
42	P-644	LOCK WASHER
43	P-1152300	LIGHT SWITCH BRACKET
44	P-4061	LIGHT SWITCH
45	P-5458	SCREW
46	P-625	LOCK WASHER
47	P-576	WASHER
48	P-4894	BALLAST ASSEMBLY

KEY	PART	DESCRIPTION
49	P-7417	DECAL
50	P-634	LOCK WASHER
51	P-1178	BUTTON HEAD SCREW
52	P-599	WASHER
53	P-4170	UNIVERSAL FLUORESCENT LIGHT ASSEMBLY (ITEMS 53 THRU 60)
53A	P-4174	LIGHT BRACKET ASSEMBLY
54	P-4177	BRACKET EXTENSION
55	P-10357	EXTENSION SCREW
56	P-4834	LAMP SOCKET
57	P-192	MACHINE SCREW
57A	P-642	LOCKWASHER
58	P-4106	LAMP (G-311, 312)
59	P-4176	COVER
60	P-204	SCREW 8-32
	P-5458	SCREW 10-32 (FOR OLD STYLE CHIEFS ONLY-NOT PART OF THIS ASSEMBLY)
60A	P-643	LOCKWASHER
60B	P-4848	HARNESS ASSEMBLY
61	P-5458	SCREW
62	P-7704	STAND OFF STUD, RIGHT HAND (15,115,17,117)
63	P-7703	STAND OFF STUD, LEFT HAND (NOT SHOWN) (15,115,17,117)
64	P-7725	STAND OFF STUD, RIGHT HAND (15,115,17,117)
64	P-7717	STAND OFF STUD, RIGHT HAND (2000, OLD STYLE X-SERIES)
65	P-7705	STAND OFF STUD, LEFT HAND (NOT SHOWN) (15,115,17,117)
66	G-15971	BRACKET
67	P-9825	SWITCH
68	P-9802	SNAP SWITCH
69	P-9661	SOLENOID
70	P-3012	PIN
71	P-662	RETAINING RING
72	P-12043	SPRING
73	G-15173	LINK
74	G-15185	LINK ASSEMBLY
75	P-8113	SHOULDER SCREW
76	P-468	NUT
77	P-573	WASHER
78	P-576	WASHER
78A	P-469	NUT
79	P-44	CAP SCREW
80	P-35	CAP SCREW
81	P-642	LOCK WASHER
82	P-459	NUT
83	P-913	CAP SCREW
84	P-10949	NUT
85	P-629	LOCKWASHER
86	P-490	NUT
87	P-566	WASHER

"P-" NUMBERS MAY BE INTERCHANGEABLE FOR BOTH CHIEF & GESTETNER AS INDICATED IN THE DESCRIPTION.
"G-" NUMBERS ARE FOR GESTETNER ONLY.

INDEX

PART #	PAGE & KEY #	PART #	PAGE & KEY #	PART #	PAGE & KEY #	PART #	PAGE & KEY #
P-1	29A-21, 36-114	P-50	2-18, 4-16, 5-96, 6-80, 7-13, 9-16, 10-16, 13-30, 17-84, 18-37, 28-27	P-157	1-76, 2-54	P-375	4-102, 5-59
P-2	1-74	P-51	1-56, 3-70, 3-76, 5-25, 6-77, 14-87, 17-90, 19-72, 20-71, 21-47, 23-40, 29A-38, 30-47, 31-24, 31-29, 31-35, 33-44	P-160	11-18	P-376	35-58C
P-3	11-51, 12-31, 14-10, 17-83, 18-36, 19-29, 20-19, 25-114, 27-122, 29B-96	P-52	4-16, 5-25, 5-96, 15-97, 30-29, 33-28	P-186	1-51	P-377	8-118
P-4	6-27, 13-45, 19-30, 29A-60B, 36-117	P-53	7-39, 11-89	P-187	35-62	P-378	1-70, 14-51, 19-52, 21-35
P-5	3-8, 13-7, 25-133A, 30-81, 34-5	P-54	34-8, 11-89, 13-24, 14-22, 14-63, 17-56, 24-68, 25-127, 26-73	P-189	26-56	P-379	17-12, 18-47, 19-80, 20-67, 25-148, 29-86
P-7	23-52, 25-129, 29A-5, 35-71	P-55	2-83, 3-19, 4-86, 7-61, 8-26, 9-81, 14-58, 15-97E, 16-147, 17-20, 17-29, 18-42, 28-44, 29A-11, 30-78, 33-3,	P-192	6-17, 19-55, 20-75, 37-57	P-380	20-60, 24-57H, 29-78
P-8	2-45, 12-49, 18-*53, 23-6, 30-81, 33-83	P-56	16-146, 17-77, 29A-34	P-198	37-29A	P-381	13-55, 23-20E, 30-45A, 34-12E, 34-22D, 34-28D, 34-39
P-9	27-110	P-57	2-21, 5-24, 7-3, 7-45, 14-97, 15-3, 18-49, 26-17	P-202	6-92, 11-14	P-382	2-89, 4-7A, 4-35, 5-46, 6-52, 16-161A, 23-19, 23-41E, 27-115
P-11	4-95	P-58	24-108d, 34-85	P-204	37-60	P-383	26-12
P-13	29A-17	P-59	6-55, 7-92, 9-14, 16-139, 24-73, 26-61, 34-11, 36-76	P-207	13-14	P-386	23-47, 30-5, 35-16
P-14	7-45, 23-50, 34-56	P-64	7-92	P-208	19-9, 20-8, 20-53	P-389	19-13
P-15	2-21, 5-24, 7-3, 7-45, 14-97, 15-3, 18-49, 26-17	P-65	1-60, 7-43, 10-28A, 15-30, 16-115, 29A-65, 30-44	P-209	2-68	P-390	28-2, 29A-47, 34-12C
P-16	24-108d, 34-85	P-67	15-2, 25-118, 29B-105	P-210	12-13	P-391	15-22
P-18	6-55, 7-92, 9-14, 16-139, 24-73, 26-61, 34-11, 36-76	P-68	35-53	P-211	36-96, 37-25	P-393	4-7, 4-47, 28-27A, 34-4,
P-19	6-60, 7-43, 10-28A, 15-30, 16-115, 29A-65, 30-44	P-69	15-17, 18-56	P-215	8-10	P-394	10-13
P-20	15-2, 25-118, 29B-105	P-70	17-16, 18-3, 34-13, 35-18	P-221	11-76, 12-45	P-395	10-28, 34-7
P-21	35-53	P-71	4-59, 15-97B	P-224	19-35, 20-25	P-396	7-42A, 29A-8A, 34-9B
P-22	15-17, 18-56	P-73	12-49, 15-2, 16-99, 34-83	P-226	12-37	P-398	6-62
P-25	17-16, 18-3, 34-13, 35-18	P-74	35-45	P-229	14-49	P-401	24-92, 29A-16G, 33-76A
P-26	4-59, 15-97B	P-81	37-80	P-230	17-86, 18-74, 37-29, 37-38	P-402	12-6
P-28	12-49, 15-2, 16-99, 34-83	P-87	19-27, 33-76C	P-231	8-36	P-404	17-13
P-33	35-45	P-88	2-73, 2-99, 6-55, 12-27	P-235	31-17, 31-43, 31-73	P-405	4-64
P-35	37-80	P-89	2-90, 7-64, 9-51, 11-72, 13-12, 16-123, 18-9	P-241	28-47A, 29-61	P-407	24-97
P-36	19-27, 33-76C	P-90	35-63, 35-66	P-250	36-97	P-410	36-91
P-37	2-73, 2-99, 6-55, 12-27	P-94	5-95	P-251	11-6	P-413	9-50
P-38	2-90, 7-64, 9-51, 11-72, 13-12, 16-123, 18-9	P-115	5-95	P-270	21-5	P-431	13-54
P-39	35-63, 35-66	P-117	29B-69, 30-82	P-287	29B-108, 33-90	P-437	8-49
P-40	5-95	P-119	18-67, 28-12	P-290	26-54	P-438	8-19
P-41	29B-69, 30-82	P-123	2-94, 5-2, 6-30, 19-6, 20-5, 27-114	P-293	8-8	P-439	5-46
P-42	18-67, 28-12	P-126	2-94, 5-2, 6-30, 19-6, 20-5, 27-114	P-312	25-132	P-441	20-20
P-43	2-94, 5-2, 6-30, 19-6, 20-5, 27-114	P-129	1-61, 2-46, 8-45, 8-135, 13-33, 18-10, 24-91, 26-92, 33-72A, 36-82, 37-79	P-315	17-79, 18-2	P-442	2-17
P-44	1-61, 2-46, 8-45, 8-135, 13-33, 18-10, 24-91, 26-92, 33-72A, 36-82, 37-79	P-135	4-26, 8-21, 23-31A, 29B-69A	P-316	9-7	P-445	4-22, 5-17
P-45	4-26, 8-21, 23-31A, 29B-69A	P-137	2-26, 3-14, 5-91, 10-5, 13-43, 23-13, 26-4, 27-117	P-323	26-86, 33-72F	P-449	2-16
P-46	2-26, 3-14, 5-91, 10-5, 13-43, 23-13, 26-4, 27-117	P-138	4-26, 5-21, 29A-3, 29A-62, 29B-89, 30-34, 30-71, 30-72, 33-33	P-325	29B-97	P-450	35-7F
P-48	4-26, 5-21, 29A-3, 29A-62, 29B-89, 30-34, 30-71, 30-72, 33-33	P-141	4-4, 5-63, 6-81, 7-18, 14-56, 17-2, 19-75, 20-56, 21-45, 23-27, 25-144, 29A-29, 30-48, 31-53, 33-42, 36-86, 37-18,	P-143	8-119	P-455	18-*62
P-49	4-4, 5-63, 6-81, 7-18, 14-56, 17-2, 19-75, 20-56, 21-45, 23-27, 25-144, 29A-29, 30-48, 31-53, 33-42, 36-86, 37-18,	P-145		P-329	8-119	P-459	37-82
P-49		P-146		P-335	14-98A, 16-156	P-460	5-91, 33-76D, 37-29B
		P-150		P-337	8-86, 8-101	P-466	2-93, 11-20, 14A-106, 18-69
		P-154		P-339	19-16	P-468	37-76
				P-349	23-41F	P-469	3-32, 4-25, 5-20, 9-74, 9-78, 11-27, 13-44, 15-75, 17-9, 18-31, 23-12, 24-87E, 24-99, 27-118, 28-43, 30-12, 33-11, 34-46, 34-72, 37-78A
				P-350	4-57, 23-28I, 26-30, 28-21A, 29A-41, 31-81, 31-83, 33-52	P-471	1-13
					8-30	P-472	34-53
					19-23	P-473	5-75, 5-85, 7-91, 14-64A, 19-74, 20-72, 21-49, 31-23, 31-28, 34-52
					16-104, 17-65	P-476	8-87, 8-102
					5-66		
					16-110, 17-62		
					8-89, 8-104, 9-46		
					15-91		
					8-116		
					6-35, 11-40, 11-44		
					9-53B, 19-12A, 20-59		

INDEX

PART #	PAGE & KEY #	PART #	PAGE & KEY #	PART #	PAGE & KEY #	PART #	PAGE & KEY #
P-477	5-43, 7-81, 14-94, 24-78, 24-81, 28-9, 29A-44, 30-74, 31-57, 31-93, 33-57, 34-78, 37-23	P-608	2-6, 7-34, 7-58, 17-72, 25-114C	P-672	28-14	P-841	5-90
P-479	4-21, 4-42, 5-16, 8-41, 14-28, 14-81, 17-34, 18-16, 35-67	P-611	23-28J	P-672	1-9, 2-41, 3-25, 4-93, 7-23, 8-51, 11-17, 14-52, 15-80,	P-850	26-87, 33-72D
P-486	11-34, 16-142, 24-76, 26-7, 30-65, 30-70, 34-68, 37-16	P-613	17-38	P-672	17-39, 18-24, 26-19, 34-21, 35-31	P-855	13-11
P-488	3-51, 3-82, 4-53, 9-70, 19-15, 25-114E	P-615	31-69	P-673	2-75, 3-5, 8-42, 13-5	P-861	35-8
P-490	4-12, 34-17, 36-104, 37-86	P-622	34-48	P-674	9-66	P-866	19-7, 20-6, 20-51A
P-491	8-65	P-624	2-74, 2-92, 8-123, 18-68, 35-74	P-677	4-43	P-869	25-118A
P-492	18-70, 35-46	P-625	2-96, 2-100, 3-11, 5-74, 7-14, 9-17, 10-15, 17-91, 24-98, 28-42, 34-47, 34-71, 36-109, 37-46	P-682	11-74	P-870	23-26, 26-8
P-493	3-10, 7-30, 27-102	P-627	1-83, 4-52, 7-8, 7-85, 8-57, 10-22, 14-58B, 16-112, 17-19, 17-28, 18-41, 21-27, 22-10, 23-16, 30-39, 31-50, 33-38, 34-67, 34-80, 35-11, 37-17	P-686	24-80	P-873	3-86
P-495	29-58A, 31-37	P-629	1-8, 3-22, 9-71, 30-57, 37-85	P-687	6-44, 19-19, 20-11	P-886	8-92, 8-96
P-497	7-10, 30-70	P-633	24-87F	P-688	5-68, 6-78	P-889	13-8
P-499	17-70	P-634	4-14, 35-27, 37-50	P-689	10-6	P-891	7-65, 12-4, 14-4
P-504	4-15, 7-36	P-640	36-125	P-698	8-37, 26-47, 29A-52, 29A-59, 31-77	P-901	11-76, 24-87A, 29-75
P-506	3-23, 29-71, 30-88	P-642	37-57A, 37-81	P-701	31-31	P-905	7-39, 15-6, 34-76
P-516	14-38	P-643	9-52, 11-19, 13-15, 29-60, 37-60A	P-704	29B-91	P-910	8-58
P-518	1-79, 2-55	P-644	1-60, 2-25, 3-15, 8-23, 8-73, 9-56, 10-4, 37-42	P-705	21-7	P-911	2-4
P-521	13-19C, 21-34, 24-72, 26-51, 27-126	P-645	1-19, 1-69, 1-32, 2-82, 3-18, 8-25, 8-40, 8-76, 9-61, 9-80	P-707	15-96	P-912	2-39, 3-54, 10-35, 11-90, 30-58
P-522	14-28	P-646	1-24, 2-5	P-708	9-21, 9-42, 29A-14, 30-22, 33-21	P-913	11-93, 17-78, 18-7, 37-83
P-525	15-87	P-647	3-55, 9-23, 10-34, 11-91	P-711	4-74	P-917	17-71
P-528	29B-70	P-651	2-37, 24-56, 26-50	P-724	8-70	P-920	17-57
P-544	14-88	P-652	19-45, 20-34	P-735	25-113, 27-121	P-929	30-71
P-550	17-53	P-653	14-35	P-737	29-68	P-978	35-48
P-561	26-84, 33-69D	P-661	6-54, 15-35, 16-129, 24-67, 29B-80, 34-43	P-743	16-138, 17-64A, 34-10	P-986	7-63
P-566	2-19, 2-91, 7-14A, 8-124, 11-15, 13-15, 14A-105, 17-92, 19-25, 20-17, 20-63, 37-87	P-662	37-71	P-752	11-79	P-988	28-35A, 31-107
P-570	11-61, 11-66	P-664	14-52	P-754	13-57	P-990	19-79, 20-66
P-572	21-37, 34-70, 35-26	P-665	11-70	P-754	24-87H	P-997	35-25
P-573	23-13D, 37-77	P-666	2-64, 2-72, 3-89, 4-71, 7-52, 12-14, 12-19, 14-49, 19-68, 24-86A, 29B-81, 34-31, 34-74	P-755	35-43	P-1004	33-34, 33-35, 35-25
P-574	5-5, 5-54, 7-74, 11-54, 12-12, 16-119, 19-66, 19-73, 20-2, 21-48, 36-84, 36-95, 37-19	P-667	6-22, 24-62	P-757	5-19, 11-79	P-1010	35-6
P-575	4-24, 15-74	P-668	2-58, 3-29, 3-38, 4-54, 6-5, 9-38, 9-47, 12-23, 12-29, 14-12, 14-44, 16-145, 23-37, 24-86, 26-35, 26-68, 28-20,	P-759	8-68	P-1017	28-31B
P-576	2-95, 6-28, 12-18, 13-41, 19-8, 19-68C, 20-7, 27-127, 37-25A, 37-47, 37-78	P-668	30-66A, 31-85, 33-81, 34-27, 34-49, 35-42	P-760	11-79	P-1018	1-84, 7-84
P-577	13-31	P-669	4-67, 11-30, 14-55, 15-71, 16-130, 21-19, 25-123, 26-67, 36-83	P-761	8-68	P-1019	6-4, 6-49, 8-6, 8-14
P-578	29A-28, 31-54, 33-41, 36-87	P-670	3-39, 4-36, 4-92, 7-50, 8-63,	P-763	13-51	P-1025	6-90
P-581	13-17, 24-63, 29A-51	P-670	14-15, 14-62, 18-40, 23-25, 26-88, 31-94, 33-67, 34-15, 35-69, 36-119	P-766	11-4	P-1030	8-93
P-584	12-28, 14-64	P-671	4-36, 5-27, 23-32, 23-28L, 26-40,	P-767	11-4	P-1033	37-7
P-589	1-21			P-768	29-59, 29-59A, 31-38	P-1038	5-84
P-591	31-68			P-769	25-151	P-1043	12-4
P-596	24-108B			P-774	17-48, 29-67	P-1054	3-52
P-599	4-11, 7-29, 15-86, 30-73, 35-21, 37-52			P-776	35-11A	P-1056	14-48
P-599	7-35			P-778	16-118, 17-66	P-1057	35-13B
P-602	23-24			P-784	10-7A, 10-10	P-1059	5-11
P-604	21-18			P-788	17-68	P-1062	1-7, 7-57, 17-89
P-605				P-794	30-64	P-1065	19-43, 20-35
				P-814	14-6, 17-67	P-1072	4-96, 23-49, 29A-4
				P-815	28-46, 29-63, 31-42, 31-72	P-1074	23-13A
				P-821	23-21A, 35-57A	P-1082	4-30
				P-822	34-14A	P-1093	37-8
				P-824	24-59B, 26-64, 34-23A	P-1103	19-40, 20-31
				P-825	14-79, 25-111, 28-7C	P-1109	5-34, 6-42
				P-828	14-25	P-1112	6-39
				P-829	23-22	P-1113	6-38
				P-836	21-24, 26-83, 33-69C	P-1116	35-34A
						P-1117	30-68, 30-69

INDEX

PART #	PAGE & KEY #	PART #	PAGE & KEY #	PART #	PAGE & KEY #	PART #	PAGE & KEY #
P-1118	30-68, 30-69	P-1443	21-51	P-3038	2-88	P-4712	17-5
P-1121	11-13	P-1445	8-38	P-3044	14-85	P-4713	15-40
P-1123	11-56	P-1450	23-30, 26-41	P-3052	8-32	P-4714	29B-77
P-1124	11-88	P-1471	18-71	P-3060	9-32	P-4715	35-41
P-1125	36-98	P-1496	29A-27, 30-91, 32-117, 33-40	P-3068	6-52	P-4716	34-73
P-1126	36-126	P-1514	35-34	P-3083	11-68	P-4718	329A-60, 0-66
P-1136	13-26, 19-57, 20-43, 21-43, 22-14	P-1525	2-36, 30-36, 31-45, 32-115, 33-35	P-3900	10-32, 12-47	P-4720	13-52
P-1141	23-25, 26-23, 31-67	P-1539	36-79A	P-3619	12-47	P-4721	13-49
P-1160	2-50, 9-27A	P-1540	5-86, 7-88	P-4061	37-44	P-4722	19-5A, 20-4
P-1162	9-9	P-1552	5-37	P-4070	18-38, 37-41A	P-4724	15-33
P-1164	26-55	P-1564	6-48B, 29B-94, 30-6, 34-54	P-4074	37-28A	P-4725	16-126, 29B-110, 33-87
P-1178	37-51	P-1608	30-28, 31-34, 33-27	P-4106	37-58	P-4729	14-50
P-1190	16-114	P-1641	37-6	P-4170	37-53	P-4730	14-72A
P-1199	2-69	P-1647	37-5	P-4174	37-53A	P-4731	17-80, 18-34
P-1204	23-3, 23-23A, 26-25, 29A-7, 29A-37A, 29A-48B, 31-96	P-1660	25-154	P-4176	37-59	P-4733	14-96
P-1206	29A-13A	P-1662	8-62, 9-18	P-4177	37-54	P-4734	14-76
P-1210	8-64A	P-1741	5-92	P-4200	16-111	P-4736	37-31, 37-39
P-1212	8-61A, 18-39A	P-1743	3-9A, 4-62, 15-11	P-4201	16-109	P-4742	12-17
P-1220	34-12D, 34-37A	P-1759	14-26, 14-82, 17-32, 18-14	P-4248	11-62	P-4751	3-27
P-1222	18-77	P-1794	7-41	P-4251	26-15, 27-132	P-4752	3-36B
P-1223	15-38, 17-49	P-1801	25-111A	P-4301	12-44, 26-79	P-4755	9-73
P-1224	29B-71A	P-1810	16-107	P-4302	26-79A, 33-72	P-4765	15-40, 24-87B
P-1225	7-33, 33-43B	P-1811	13-17	P-4306	26-78, 33-68	P-4798	24-87C
P-1237	7-26	P-1834	9-27C	P-4310	2-65	P-4808	17-93
P-1238	35-3	P-1840	18-75, 37-34	P-4319	26-78A, 33-68	P-4834	37-56
P-1239	35-19A	P-1846	8-132	P-4320	9-20, 10-31	P-4848	37-60B
P-1255	17-68A	P-1871	8-74, 11-81	P-4326	1-15, 35-55A	P-4850	2-84
P-1260	29A-65B	P-1878	28-47, 29-64	P-4331	24-87G	P-4894	37-48
P-1261	13-2	P-1881	22-21	P-4400	28-32A	P-4905	17-59A
P-1263	15-25A	P-1885	14-21, 19-63, 22-4	P-4414	18-5	P-4907	17-59
P-1265	8-22A	P-1900	25-124A, 27-129	P-4471	17-85, 26-57, 37-28, 37-37	P-4912	17-58
P-1266	35-3	P-1910	25-125	P-4500	23-29	P-4944	16-165, 18-61
P-1285	2-24A	P-1912	26-21	P-4513	12-34	P-4945	16-166, 18-64
P-1291	9-15A	P-1914	25-124	P-4516	13-19B	P-4965	8-50, 10-29
P-1294	17-68B	P-1924	27-128	P-4517	24-65	P-5023	37-9
P-1314	4-5, 7-20	P-1976	14-43, 16-163, 17-22, 18-45, 21-52, 22-24, 27-131, 33-22B	P-4518	4-51	P-5096	27-103
P-1320	10-28B, 17-14	P-1977	9-5, 9-49	P-4519	4-73	P-5106	16-109
P-1324	8-3	P-1982	3-80	P-4520	4-70	P-5108	16-109
P-1328	9-2A	P-2506	29-69	P-4521	4-82, 34-57	P-5115	5-70, 6-83, 37-14
P-1357	2-33, 9-60	P-2731	25-114D	P-4522	6-21	P-5130	16-106, 17-61
P-1365	6-76	P-3006	26-32	P-4523	7-37	P-5131	16-106, 17-61
P-1373	19-33	P-3012	5-87, 37-70	P-4524	6-13	P-5156	16-109
P-1383	25-126	P-3013	14-69	P-4525	7-72	P-5160	8-64
P-1401	12-46	P-3019	15-14	P-4526	29A-2, 30-33, 33-32	P-5162	8-18
P-1412	15-65A	P-3030	6-31	P-4528	23-5, 27-109	P-5163	10-11
P-1424	4-20, 4-40, 5-15, 35-68	P-3034	29A-60A, 31-66A	P-4535	2-40	P-5165	9-15
P-1427	2-63, 2-71	P-3035	18-76	P-4536	3-49	P-5166	8-48
P-1430	3-37	P-3036	2-44, 24-88, 27-106	P-4537	3-48	P-5167	8-61, 18-39
P-1431	29A-42, 31-92, 33-56	P-3037	23-8, 27-111, 29A-16K, 30-9, 30-31, 33-8, 33-30	P-4538	3-36C	P-5169	16-117, 17-64
P-1442	7-21			P-4540	26-42	P-5171	2-14
				P-4614	12-20	P-5174	23-51B

INDEX

PART #	PAGE & KEY #	PART #	PAGE & KEY #	PART #	PAGE & KEY #	PART #	PAGE & KEY #
P-5177	23-51B, 26-20	P-5501	2-79	P-6088	13-22	P-7027	7-5
P-5201	5-42	P-5503	15-21	P-6089	16-137, 16-164	P-7033	3-44C
P-5225	2-67	P-5504	8-55	P-6090	15-73	P-7034	14-61
P-5260	7-6	P-5506	14-70	P-6091	14-86, 15-84, 16-137	P-7088	15-92, 17-27, 23-15, 29B-85
P-5262	2-66, 3-78, 5-41, 8-127A	P-5521	30-11, 33-10	P-6092	14-68	P-7100	24-65A, 29B-79, 34-41
P-5269	5-41	P-5525	23-2, 24-70, 26-5	P-6093	6-36	P-7101	5-79, 37-24
P-5277	9-27	P-5526	11-26, 17-7, 18-30	P-6094	19-4	P-7102	37-20
P-5278	7-7, 8-15	P-5530	6-41, 7-17, 8-129	P-6095	28-30	P-7104	34-66
P-5284	36-90	P-5532	6-9	P-6098	14-68	P-7105	34-77
P-5289	24-93	P-5533	2-34, 7-48	P-6104	4-8	P-7108	14-53
P-5292	2-66A, 8-127	P-5534	7-38	P-6105	23-9, 26-48	P-7109	15-90
P-5294	8-128	P-5543	2-48	P-6107	14-20B	P-7110	15-81
P-5300	13-18	P-5545	9-82	P-6108	3-31	P-7111	7-4
P-5301	2-49	P-5548	11-48	P-6110	3-81, 9-69	P-7112	7-2
P-5314	18-11	P-5550	1-65, 2-9, 2-57	P-6114	16-164	P-7113	7-79
P-5320	23-51C	P-5551	29-66	P-6116	29-79	P-7115	4-28
P-5321	34-82	P-5559	15-39	P-6300	2-66B, 8-126	P-7117	36-85
P-5333	24-94	P-5560	23-30A, 31-15	P-6500	16-101	P-7119	24-77
P-5354	35-20	P-5569	13-56	P-6501	4-75	P-7126	34-45
P-5358	21-22	P-5579	15-95	P-6502	11-97	P-7128	30-7, 33-6
P-5359	20-15, 21-39	P-5582	31-66B	P-6505	7-11	P-7129	15-90
P-5362	32-112	P-5588	12-9	P-6506	8-67	P-7130	9-62
P-5381	19-32	P-5594	8-91, 8-106	P-6507	8-53	P-7132	1-6
P-5390	27-96, 33-74	P-5600	6-75A	P-6508	8-125	P-7133	1-5
P-5392	30-72	P-5602	4-3	P-6704	30-42	P-7135	1-14
P-5402	6-68, 24-96	P-5630	25-135	P-6706	33-92	P-7136	8-39
P-5403	21-24	P-5679	3-50	P-6709	24-58	P-7137	8-115
P-5416	11-32, 12-41	P-5708	16-104	P-6713	15-4	P-7138	18-18
P-5423	1-22	P-5800	33-76B	P-6714	6-93	P-7139	9-62A
P-5424	17-21, 18-46	P-5831	24-106, 29A-57, 30-64	P-6716	18-*54	P-7141	13-19B
P-5427	3-12	P-5832	26-46, 31-76	P-6717	3-21	P-7144	23-5A
P-5431	30-58	P-5838	18-48A	P-6719	11-50	P-7148	29-55C
P-5435	15-88	P-5845	2-29	P-6720	29-70	P-7154	9-31
P-5437	17-47	P-5848	26-89, 33-72G	P-6804	17-82, 18-35	P-7171	34-9A
P-5438	17-21	P-5986	8-133	P-6807	34-5	P-7243	30-41
P-5454	22-9	P-6001	3-62, 9-79, 14-80, 29A-18, 30-8, 30-15, 30-19, 31-22, 31-27, 31-83A, 33-7, 33-14, 33-18, 33-54	P-6905	6-79	P-7406	11-7
P-5458	25-136, 36-116, 37-45, 37-60, 37-61			P-6918	16-118A	P-7409	20-28
P-5461	26-94, 33-70	P-6054	8-117	P-6919	31-65	P-7410	16-100, 34-86
P-5467	4-2, 7-19, 8-20	P-6059	27-134	P-6928	35-17	P-7411	15-16
P-5469	22-7	P-6075	13-3	P-6929	13-60	P-4712	29B-106
P-5470	14-42, 15-29, 30-43	P-6076	28-1	P-6930	16-120	P-7413	25-121
P-5474	9-77, 30-10, 30-15, 30-16, 30-20, 33-9, 33-19	P-6077	17-4	P-6932	7-78, 37-12	P-7414	25-122
P-5477	18-6, 36-106	P-6078	4-6	P-6934	19-34, 20-24	P-7415	29B-104
P-5478	19-17A	P-6079	4-9, 7-22	P-6935	36-101	P-7416	29B-103
P-5484	30-56, 30-66, 30-87	P-6080	4-39	P-6951	2-31	P-7417	37-49
P-5489	13-59	P-6081	5-52	P-6952	3-42	P-7420	4-79
P-5493	13-27, 19-58, 20-44, 21-41, 22-15	P-6082	6-15	P-6959	1-10	P-7421	18-57
P-5497	13-28, 19-59, 20-45, 21-40, 22-16	P-6084	6-34	P-6977	1-23	P-7425	29B-100
P-5498	25133C	P-6084	6-34	P-6981	2-87	P-7429	33-72C
		P-6085	29A-16J	P-6996	11-77, 12-46	P-7430	11-7
		P-6086	29A-9	P-7012	24-87D	P-7432	1-80, 7-89

INDEX

PART #	PAGE & KEY #	PART #	PAGE & KEY #	PART #	PAGE & KEY #	PART #	PAGE & KEY #
P-7433	12-48	P-8115	13-39	P-9108	12-25	P-10425	19-18, 20-10
P-7434	12-38A	P-8116	14-19	P-9112	12-24	P-10429	30-55
P-7435	12-39A	P-8117	14-30	P-9113	12-25	P-10435	19-37, 20-27, 21-10, 29A-55
P-7436	11-7	P-8120	16-151	P-9115	26-77	P-10444	16-159, 29-81
P-7437	25-120	P-8121	28-41	P-9116	33-65	P-10445	28-24, 31-49
P-7700	1-67, 2-81, 34-81	P-8122	14-71	P-9119	3-9B	P-10446	14-67
P-7701	34-81	P-8123	15-97C	P-9122	26-77A	P-10447	5-49, 11-16, 19-2
P-7703	37-63	P-8124	7-28	P-9123	7-56	P-10453	16-148A
P-7704	37-62	P-8127	2-30	P-9125	11-39, 11-43	P-10594	13-53
P-7705	37-65	P-8128	26-38	P-9126	12-24	P-10608	10-26, 34-12A
P-7708	30-23, 33-22	P-8129	33-61	P-9127	12-25	P-10619	8-81A, 8-95A
P-7709	33-22A	P-8131	13-20	P-9129	33-65	P-10624	23-4, 27-119
P-7713	36-88	P-8132	21-25	P-9170	36-112	P-10638	14-57
P-7714	36-89	P-8133	21-30	P-9176	11-39	P-10645	15-37
P-7717	37-64	P-8135	13-20	P-9177	11-43	P-10664	14-2, 29A-8
P-7724	30-69A	P-8139	24-83A	P-9202	19-68B	P-10665	15-57, 16-148, 23-7, 34-38
P-7725	37-64	P-8140	29-74	P-9599	9-26	P-10669	4-8A
P-7735	30-38, 31-51	P-8600	16-108	P-9661	5-93, 37-69	P-10696	24-107, 29A-63, 30-65
P-7737	31-52	P-8610	10-27	P-9718	37-33	P-10730	1-25, 7-59
P-7900	16-129A	P-8611	18-23	P-9733	17-88	P-10738	14-69, 16-162
P-7901	24-87	P-8614	16-116	P-9773	18-32	P-10747	3-46, 5-97
P-7903	3-34	P-8629	10-14	P-9785	17-87	P-10748	3-85
P-7906	2-62	P-8685	9-12	P-9802	37-68	P-10749	5-88
P-7907	32-109	P-8690	16-116	P-9825	37-67	P-10801	27-97, 33-79
P-7909	9-43A	P-8700	35-55	P-9901	19-34	P-10816	9-41, 19-84, 20-78
P-7910	9-65	P-8900	17-44	P-9903	26-43	P-10818	9-40
P-7913	17-13A	P-8901	17-43	P-9907	2-101	P-10836	26-74, 29A-23
P-7916	4-10	P-8902	5-81, 7-87	P-9909	8-131	P-10846	36-107
P-8037	14-27, 14-83, 17-33, 18-15, 35-65	P-8903	12-32	P-9910	19-81, 20-76	P-10871	37-32, 37-41
P-8058	3-64	P-8904	12-33	P-9970	6-94	P-10872	33-93
P-8078	24-83	P-8913	9-19, 10-30	P-9973	25-114B	P-10877	3-47
P-8079	11-96	P-8915	18-20	P-9999	8-44	P-10879	23-24
P-8080	24-108	P-8941	1-12, 9-10	P-10004	27-136, 29-56, 31-7	P-10882	29-85
P-8088	14-60	P-8943	1-11	P-10026	14-89	P-10886	13-50
P-8096	29A-43, 31-91, 33-55	P-8945	35-54	P-10031	4-94, 29-55D, 29A-65	P-10889	29B-76
P-8097	6-6, 23-14, 27-105	P-8954	37-11	P-10044	11-46	P-10893	4-104, 5-61
P-8098	24-55	P-9071	12-11	P-10088	6-60	P-10904	29-82
P-8099	14-73, 15-78, 15-89, 28-5	P-9083	7-27	P-10089	14-63A, 16-161	P-10907	7-40
P-8100	28-8, 31-56	P-9084	4-13	P-10095	14-51	P-10913	24-71, 26-49
P-8101	15-26, 17-26, 24-55A	P-9087	34-16	P-10169	29B-86	P-10914	11-33
P-8102	17-35, 18-19	P-9088	14-14	P-10175	14-93	P-10915	1-20, 1-82, 4-87, 5-71, 5-78, 7-60, 7-80, 7-83, 8-56, 11-24, 11-49, 17-8, 17-18, 17-41, 18-26, 18-28, 20-49, 24-108C, 25-453, 30-40, 33-39, 34-60, 37-15
P-8103	4-19, 4-41, 5-14	P-9089	14-54	P-10207	35-62A	P-10916	14-45
P-8104	7-47	P-9090	16-129A	P-10229	10-20	P-10917	34-64, 37-22
P-8105	13-20	P-9091	14-61	P-10242	5-50	P-10918	3-58A, 10-23
P-8106	6-87	P-9092	7-51	P-10248	36-77	P-10926	21-6
P-8107	29B-73	P-9093	14-37	P-10282	13-14	P-10946	24-56A
P-8108	29A-16F	P-9094	17-40	P-10304	19-49, 20-40	P-10949	37-84
P-8109	29A-24	P-9095	23-21	P-10322	11-67		
P-8110	29B-67, 30-84	P-9097	14-37	P-10357	37-55		
P-8111	37-13	P-9099	4-73	P-10391	2-56		
P-8113	37-75	P-9102	12-24	P-10401	2-23		

INDEX

PART #	PAGE & KEY #	PART #	PAGE & KEY #	PART #	PAGE & KEY #	PART #	PAGE & KEY #
P-10953	26-70, 33-77	P-11555	34-75	P-15051	24-109	P-15141	14-3
P-10958	30-86	P-11557	26-91, 33-66	P-15054	11-52	P-15143	6-66
P-10967	13-61	P-11560	8-90, 8-105	P-15060	4-60	P-15145	13-29
P-10969	9-27D	P-11566	12-21	P-15061	4-61	P-15146	17-75
P-10977	26-22	P-11589	19-32, 20-22, 21-9	P-15066	6-69	P-15147	6-74
P-10982	26-18	P-11593	4-31	P-15067	6-72	P-15148	4-27
P-10984	3-59	P-11594	18-65	P-15071	28-28	P-15149	6-75
P-11034	23-13B	P-11595	14-64B	P-15072	28-29	P-15152	7-86
P-11037	8-85, 8-100	P-11614	1-66, 2-10	P-15073	7-46	P-15153	4-65
P-11155	24-105	P-11662	3-83	P-15076	7-15	P-15156	6-71
P-11189	30-67	P-11733	19-82, 20-80	P-15077	7-53	P-15158	6-70
P-11200	30-69	P-11791	8-110	P-15078	3-88	P-15159	6-2
P-11201	30-68	P-11799	1-73	P-15079	28-33	P-15160	14-7
P-11202	30-67	P-11899	36-94	P-15081	7-90	P-15161	6-1
P-11206	29A-61	P-11911	26-91A, 33-66	P-15082	28-34	P-15162	14-8
P-11245	15-32A	P-11914	27-100	P-15083	4-29	P-15163	13-1
P-11252	27-133	P-11915	26-13	P-15086	7-76	P-15164	7-69
P-11257	3-13A	P-11954	8-134	P-15087	6-58	P-15166	5-30
P-11344	9-1A	P-11988	30-69A	P-15089	6-61	P-15167	6-88
P-11378	31-19	P-12043	37-72	P-15090	6-59	P-15168	6-73
P-11379	31-16	P-12213	6-20	P-15093	5-51, 6-84	P-15169	5-7
P-11393	19-48, 20-39	P-12408	24-108A	P-15096	6-48	P-15176	5-4
P-11402	19-83, 20-79	P-12413	11-53	P-15098	5-76	P-15177	14-18
P-11447	3-87	P-12426	29-53, 31-8	P-15099	6-63	P-15178	19-71, 20-70
P-11463	30-82	P-12529	6-33	P-15100	6-64	P-15181	11-2
P-11468	20-3, 21-15	P-12593	17-51	P-15103	5-28	P-15184	11-3
P-11473	28-31	P-12640	15-58	P-15105	5-80	P-15186	11-5
P-11474	28-31A	P-12711	4-103, 5-60	P-15106	6-86	P-15187	13-10
P-11478	29A-6	P-12731	14-66	P-15107	6-85	P-15188	11-21, 12-42
P-11480	36-79	P-12938	28-6, 29A-22	P-15108	5-22	P-15191	13-13
P-11490	5-33	P-12997	23-13C	P-15109	5-64	P-15193	13-23
P-11495	6-49	P-15004	11-64	P-15111	6-43	P-15198	11-28
P-11498	21-15	P-15006	11-59	P-15113	7-71	P-15202	11-63
P-11500	29A-12	P-15011	29-57	P-15114	7-66	P-15203	13-6
P-11502	29A-35A	P-15014	34-12B	P-15115	7-16	P-15204	11-58
P-11509	32-108	P-15019	29-58	P-15116	5-3	P-15205	13-21
P-11511	21-33	P-15020	29-62	P-15117	5-65, 34-3	P-15206	11-22
P-11512	29A-12, 30-38, 31-51, 31-52, 33-37	P-15021	28-44A	P-15119	7-70	P-15207	13-19
P-11516	1-63	P-15028	28-22B	P-15120	6-47	P-15208	19-38, 21-4
P-11521	29B-98	P-15029	28-22	P-15121	7-62	P-15209	11-84
P-11523	21-16	P-15030	28-36B	P-15122	4-89, 5-67	P-15210	13-19A
P-11526	11-55	P-15031	28-36	P-15124	7-77	P-15211	12-40
P-11536	3-65A	P-15032	2-35, 7-49	P-15125	6-10	P-15212	11-85
P-11539	6-14	P-15033	4-88	P-15127	5-26	P-15213	13-21A
P-11541	5-55	P-15034	28-27D	P-15128	7-67	P-15214	19-62, 20-48
P-11544	19-14, 20-61	P-15035	28-27B	P-15129	5-6	P-15217	11-29
P-11549	21-16	P-15037	34-50	P-15132	5-9	P-15225	13-9, 29A-5A
P-11550	13-36	P-15039	25-109C	P-15134	7-68	P-15227	5-32
P-11551	16-128, 29B-107, 33-89	P-15040	25-110	P-15136	14-9	P-15228	24-64
P-11554	14-36	P-15048	6-65	P-15137	6-67	P-15229	19-47
		P-15050	24-109	P-15139	14-5	P-15231	13-4

INDEX

PART #	PAGE & KEY #	PART #	PAGE & KEY #	PART #	PAGE & KEY #	PART #	PAGE & KEY #
P-15234	17-15, 18-17	P-15315	12-15	P-15399	13-47A	P-15483	11-73, 12-43
P-15236	15-8	P-15317	11-57	P-15401	23-53	P-15484	24-104
P-15237	16-121	P-15318	12-16	P-15406	13-58	P-15486	29A-66
P-15238	15-7	P-15319	29A-36	P-15407	11-11	P-15487	29A-15A
P-15239	29A-46	P-15322	23-28F, 28-21	P-15415	11-9	P-15488	29A-16D
P-15240	15-5	P-15324	29B-83	P-15416	15-26A	P-15490	29A-58, 30-63
P-15241	13-32	P-15325	15-82	P-15418	24-54	P-15491	29A-16A
P-15244	29B-101A	P-15326	12-5	P-15419	17-25	P-15492	29A-56
P-15246	19-60	P-15328	23-38	P-15421	11-10	P-15493	29A-16B
P-15247	11-41	P-15331	23-36, 26-33, 28-18, 31-89	P-15424	23-28	P-15494	29A-20A
P-15248	29A-50A, 34-26	P-15332	28-13B	P-15425	29A-16H, 30-25, 33-24	P-15496	29A-20
P-15251	29B-82	P-15333	19-53	P-15427	17-24	P-15498	29A-16E
P-15252	24-64A	P-15334	29A-40	P-15428	27-137	P-15499	15-20
P-15254	29B-74B	P-15336	23-36, 26-39, 28-19, 31-90	P-15429	12-50	P-15500	29A-16C
P-15256	29A-1C	P-15338	15-9	P-15430	23-28A	P-15503	15-23
P-15257	13-38, 24-66	P-15339	13-1A	P-15433	12-51	P-15504	29A-64
P-15259	5-29	P-15340	23-34	P-15434	23-23	P-15507	23-51, 29B-95
P-15262	24-59	P-15341	19-42, 20-33	P-15435	19-17	P-15508	5-8
P-15265	16-122	P-15342	12-30	P-15438	23-18	P-15509	17-36
P-15266	16-124	P-15343	11-69	P-15439	15-19	P-15511	17-74
P-15267	24-61	P-15344	23-28G	P-15443	11-23, 17-10, 18-27	P-15513	6-26
P-15268	24-60	P-15347	11-25, 17-6, 18-29	P-15445	25-134	P-15515	17-36A
P-15270	15-1	P-15349	17-3	P-15446	29B-71, 30-85	P-15517	6-3
P-15272	11-36	P-15350	23-1	P-15448	25-138	P-15518	28-26
P-15273	6-23	P-15351	19-10A, 19-24, 20-16, 21-38	P-15452	4-63	P-15519	27-138
P-15277	12-26	P-15354	19-28, 20-18	P-15453	24-79	P-15522	7-25
P-15278	16-127, 29B-109, 33-88	P-15355	29A-49	P-15455	28-7A	P-15523	14-29, 16-135
P-15279	7-55	P-15357	19-54, 20-74	P-15457	15-25	P-15525	6-25
P-15281	7-54	P-15358	23-20A	P-15458	11-87	P-15527	29A-161
P-15283	11-37	P-15362	29A-48A	P-15459	24-56B	P-15532	17-37
P-15284	19-36, 20-26, 21-11	P-15363	24-59A	P-15460	28-10, 31-13	P-15537	6-50
P-15285	12-7	P-15366	12-8	P-15461	6-48A	P-15539	6-12
P-15286	12-10	P-15367	19-39, 20-29	P-15462	23-11, 27-116A	P-15540	23-28C
P-15287	11-71	P-15368	23-20D	P-15463	29-51, 31-10	P-15541	17-73
P-15288	17-23	P-15369	23-20B	P-15464	27-135, 28-49, 31-6	P-15444	29A-65A
P-15289	11-38, 11-42	P-15370	24-57F	P-15465	12-35	P-15547	14-31
P-15290	19-76, 20-42	P-15373	11-1, 12-1A	P-15467	12-36	P-15549	26-52, 29A-25, 33-91
P-15291	11-45	P-15375	17-1	P-15468	28-50, 31-12	P-15550	23-34A, 28-15
P-15294	14-98, 16-153	P-15377	11-8	P-15469	16-140	P-15551	23-35, 28-17
P-15295	24-102	P-15378	25-112	P-15471	11-65	P-15552	25-150
P-15297	19-77, 20-73	P-15382	13-35A, 14-100	P-15472	29-55	P-15553	6-37
P-15299	20-38	P-15383	13-37	P-15473	11-75	P-15554	23-41D, 26-11
P-15301	7-82	P-15385	19-65	P-15474	29-52, 31-11	P-15555	17-45
P-15304	17-17, 18-50	P-15386	6-18	P-15475	17-31, 18-12	P-15557	6-3
P-15306	11-47	P-15387	11-12	P-15476	16-125	P-15558	17-46
P-15307	11-35	P-15390	24-57G	P-15477	11-60	P-15559	29B-88, 30-76
P-15309	19-41, 20-32	P-15391	19-26	P-15478	13-47	P-15561	5-69
P-15310	19-1A	P-15392	23-10, 27-116	P-15479	17-31A, 18-13	P-15563	11-94, 29A-32, 29B-87
P-15311	19-1A	P-15393	13-35	P-15480	29B-68	P-15565	17-45A
P-15313	19-31, 20-21	P-15394	28-13	P-15481	12-22	P-15567	6-32
P-15314	12-15A	P-15396	25-130	P-15482	29A-55A	P-15568	6-11

INDEX

PART #	PAGE & KEY #	PART #	PAGE & KEY #	PART #	PAGE & KEY #	PART #	PAGE & KEY #
P-15569	6-19	P-15715	14-23	P-15807	17-69	P-15946	4-80
P-15572	23-33A, 28-16	P-15716	16-134	P-15808	4-33	P-15950	15-44
P-15573	6-82	P-15718	16-154	P-15809	4-108, 5-44	P-15953	16-150
P-15574	16-136	P-15720	14-24	P-15814	4-34	P-15955	34-84
P-15576	25-128A	P-15721	14-65, 16-158	P-15815	4-28	P-15956	15-45
P-15577	16-102	P-15723	4-48	P-15819	5-56	P-15957	4-58
P-15579	29A-33, 30-75	P-15724	19-44, 20-36	P-15822	15-27	P-15961	4-81, 34-55
P-15580	29A-10	P-15725	14-11	P-15823	15-28	P-15964	5-35
P-15583	16-103	P-15726	14-13	P-15829	15-65	P-15966	5-36
P-15584	5-98	P-15727	4-44	P-15832	6-29, 24-85A	P-15969	4-83
P-15587	17-50	P-15728	7-42	P-15833	5-48	P-15972	14A-102
P-15591	17-52	P-15729	4-55, 14-56	P-15834	16-144	P-15972	13-1A
P-15601	29B-78, 34-42	P-15731	14-66	P-15839	13-47	P-15973	4-68
P-15607	23-33	P-15732	4-45	P-15840	4-77	P-15974	4-76
P-15614	17-54	P-15733	14-62, 16-157	P-15842	6-16	P-15977	4-23, 5-18
P-15615	16-98	P-15734	14-62	P-15843	13-46	P-15978	13-16
P-15617	17-55	P-15735	4-46	P-15846	6-7	P-15979	4-69
P-15620	16-143	P-15736	14-66, 16-160	P-15849	15-12	P-15980	15-59
P-15623	15-24	P-15738	23-42, 27-104	P-15850	15-13	P-15984	4-76
P-15625	14-74, 30-30, 33-29	P-15742	7-41	P-15851	13-48	P-15986	15-59A
P-15635	6-40	P-15743	14-59	P-15852	4-17, 5-12	P-15993	19-61
P-15641	28-37, 29B-92	P-15744	19-11	P-15853	13-42	P-15995	4-78
P-15643	14-46	P-15746	19-50, 20-41	P-15855	4-18, 5-13	P-15996	15-42
P-15646	14-48	P-15747	16-155	P-15857	19-56	P-15999	19-61
P-15647	14-47	P-15748	23-48	P-15860	15-10	P-17011	29-57A
P-15649	7-12	P-15749	19-68A	P-15861	19-12	P-17020	29-62
P-15655	29B-84A	P-15751	19-51	P-15865	16-105, 17-63A	P-17021	28-44B
P-15657	29B-102A	P-15753	4-49	P-15876	15-85	P-17028	28-22C
P-15661	14-32	P-15754	4-50	P-15878	23-43, 27-108	P-17029	28-22A
P-15665	14-34	P-15757	4-37	P-15882	29A-31	P-17030	28-36A
P-15667	14-1, 15-18	P-15758	23-48	P-15884	15-79	P-17034	28-27E
P-15669	19-69, 20-68	P-15759	14-60	P-15892	15-67	P-17035	28-27C
P-15681	28-3	P-15760	19-21, 20-13	P-15895	15-72	P-17039	25-109C
P-15683	28-4A	P-15761	19-39A, 20-30	P-15896	14-91A, 23-44, 27-107	P-17040	25-110
P-15684	6-8	P-15762	19-10	P-15899	14-33, 15-83	P-17050	24-109
P-15690	28-12A	P-15764	6-57	P-15900	13-47	P-17056	24-69
P-15691	28-4	P-15767	11-78	P-15905	29B-72	P-17082	28-34A
P-15693	28-3A	P-15768	14-39	P-15914	15-31	P-17160	14-7
P-15696	6-53	P-15777	5-45	P-15915	15-41	P-17162	14-8
P-15697	19-1	P-15779	11-80	P-15916	17-11	P-17163	13-1
P-15700	29A-1	P-15781	13-25, 14-101	P-15919	16-131	P-17190	20-47
P-15701	29A-30A	P-15787	4-85	P-15922	19-67	P-17192	20-47
P-15703	14-17	P-15788	19-3	P-15925	15-32	P-17233	28-33A
P-15704	14-41	P-15792	15-77	P-15926	15-34	P-17246	20-46
P-15705	16-133	P-15797	19-46, 20-37	P-15933	29B-75	P-17265	29A-13
P-15707	14-16	P-15799	15-66	P-15937	4-72	P-17310	20-1A
P-15708	4-56	P-15802	4-29	P-15938	15-54	P-17311	20-1A
P-15709	15-97D	P-15803	17-76	P-15940	15-55	P-17319	29A-36
P-15710	14-20	P-15804	4-32, 6-24	P-15942	15-53	P-17321	29A-37
P-15711	5-53	P-15805	19-5	P-15943	4-84	P-17325	14-84
P-15712	6-51	P-15806	15-63	P-15944	4-66	P-17339	13-1A

INDEX

PART #	PAGE & KEY #	PART #	PAGE & KEY #	PART #	PAGE & KEY #	PART #	PAGE & KEY #
P-17355	23-23B	P-17978	13-16	P-50164	8-12	P-51125	8-84, 8-99
P-17382	13-35A, 15-100	P-17996	15-42	P-50166	2-70	P-51175	8-22
P-17385	20-51	P-21009	31-70	P-50177	2-78	P-51295	10-3
P-17393	13-35	P-21010	31-36	P-50213	8-82, 8-97	P-51421	26-93, 33-71
P-17401	23-53	P-21011	31-97	P-50403	1-75, 2-51	P-51458	10-17
P-17409	14-68A	P-21012	29-57B, 31-98	P-50413	29-76	P-51460	3-26
P-17420	6-91	P-21020	31-18	P-50420	1-78, 2-52	P-51478	10-7
P-17427	17-24, 18-43	P-21021	31-40	P-50452	9-8	P-51777	3-17
P-17434	23-23, 26-14	P-21022	31-71	P-50473	1-77, 2-53	P-51819	3-65
P-17435	20-9	P-21023	31-14	P-50511	8-94	P-51829	3-20
P-17440	23-51A	P-21030	31-75	P-50516	8-80	P-51833	3-24
P-17487	29A-16	P-21035	31-99	P-50517	8-107	P-51841	3-60
P-17491	29A-15	P-21036	31-99	P-50521	8-59	P-51844	3-57, 9-76
P-17534	28-23A	P-21040	27-120	P-50523	8-112	P-51847	3-56
P-17548	25-149	P-21050	24-109B, 26-45	P-50525	8-114	P-51870	2-24, 3-13
P-17551	25-152	P-25219	18-66	P-50539	8-88, 8-103	P-51951	3-63
P-17574	16-136	P-30012	PAGE 29A	P-50553	8-121	P-52064	8-128A
P-17577	16-102	P-30013	PAGE 29A	P-50557	8-81, 8-95	P-52065	8-130
P-17643	14-90	P-30014	PAGE 29A	P-50558	8-108	P-52066	9-27E
P-17661	14-32	P-30015	PAGE 29A	P-50561	8-60, 18-44	P-52067	1-55, 3-68, 3-75
P-17697	20-1	P-30016	PAGE 29A	P-50567	8-113	P-52098	1-17
P-17700	29A-1	P-30061	19-86	P-50568	8-98	P-52108	9-29
P-17701	29A-30	P-30064	22-17	P-50569	8-109	P-52111	9-30
P-17704	14-72	P-30096	20-81	P-50579	8-83	P-52114	8-7
P-17708	15-97A	P-30236	25-133B	P-50711	3-45	P-52127	9-27B
P-17709	15-97D, 16-153A	P-30378	25-128	P-50729	3-40	P-52176	2-80
P-17718	16-154	P-30379	25-131	P-50757	3-36	P-52273	2-76
P-17721	14-65	P-30384	25-133	P-50770	3-36A	P-52660	9-63
P-17729	14-99	P-35084	28-32	P-50802	8-35	P-52718	9-45
P-17734	14-62A	P-36106	1-16, 5-82	P-50805	8-31	P-52786	9-36, 9-44, 9-64
P-17739	20-12	P-36107	5-83	P-50806	8-33	P-52787	9-37
P-17740	14-92	P-36264	15-76	P-50815	8-52	P-52803	3-67
P-17744	20-57	P-36300	4-91, 29-84	P-50819	3-44	P-52813	3-73
P-17745	14-95	P-36433	29-54	P-50824	3-44A	P-52899	2-97, 9-57
P-17746	19-67A, 20-55	P-36574	29A-26	P-50825	3-44B	P-52903	2-13, 9-59
P-17749	20-62	P-36619	14-91	P-50826	3-33	P-52944	9-39
P-17755	19-78, 20-64	P-36814	23-38A	P-50832	8-120	P-52960	9-35
P-17766	28-28A	P-36954	15-43	P-50835	8-111	P-52969	9-67
P-17768	14-39A	P-36958	15-47	P-50842	8-78	P-52973	9-34
P-17781	13-25, 14-101	P-36963	15-47	P-50905	3-28	P-52974	9-48
P-17788	20-2	P-38032	5-23	P-50955	9-53	P-52975	9-33
P-17789	28-29A	P-50032	2-47, 2-77, 3-30, 9-68, 30-79, 32-116	P-50957	9-53C	P-52977	9-43
P-17834	16-144			P-50959	9-53D	P-52979	9-43B
P-17861	20-58	P-50083	8-34	P-50961	9-53A	P-55119	24-87I
P-17891	14-77	P-50101	9-6	P-50962	9-53E	P-70131	2-59
P-17892	14-78	P-50112	8-4	P-50965	9-75	P-70132	2-60
P-17897	14-75	P-50113	8-5	P-51049	1-62	P-70539	8-29
P-17922	20-54, 20-65	P-50121	8-9	P-51073	2-27	P-72074	2-85
P-17938	15-54A	P-50128	8-11	P-51076	2-42	P-72077	2-86
P-17954	15-43	P-50134	8-13	P-51077	2-28	P-72259	2-58A
P-17972	13-1A	P-50137	3-58	P-51115	2-43	P-98137	35-70

INDEX

PART #	PAGE & KEY #	PART #	PAGE & KEY #	PART #	PAGE & KEY #	PART #	PAGE & KEY #
P-98739	16-149	P-115615	16-98	P-151321	35-52	P-152361	34-12F
P-115106	5-40	P-115639	4-1, 5-1	P-151420	35-22	P-152420	35-38
P-115109	34-44	P-115641	28-11	P-151460	35-23	P-152421	35-39
P-115110	34-44A	P-115655	29B-84	P-151461	35-14	P-152422	35-44
P-115163	13-1	P-115664	7-24	P-151514	34-32	P-152423	35-40
P-115191	13-13	P-115671	7-1	P-151516	34-35	P-152440	37-4
P-115214	19-62, 20-48	P-115722	15-15	P-151517	34-34	P-152470	34-1
P-115236	15-8	P-115728	7-42	P-151551	34-28	P-152500	37-4A
P-115237	16-121	P-115738	24-82	P-151552	34-28C	P-152510	34-2
P-115238	15-7	P-115739	19-20	P-151553	34-28A	P-152670	35-2
P-115248	24-61A, 29A-50	P-115766	24-84	P-151554	34-29	P-152850	35-1
P-115269	29B-74	P-115769	24-85	P-151555	34-28B	P-152852	34-37
P-115270	15-1	P-115770	17-81, 18-33	P-151565	34-65	P-152890	37-1
P-115271	14A-107	P-115792	15-77	P-151566	34-65A	P-152900	37-27A
P-115282	12-38	P-115799	15-66	P-151570	34-69	P-152901	37-28B
P-115293	12-39	P-115800	17-30	P-151575	34-62	P-152910	37-2
P-115295	24-90, 27-113	P-115807	19-33, 20-23	P-151580	35-12	P-152950	37-3
P-115296	15-93	P-115834	16-144	P-151591	34-23	P-153010	36-123
P-115298	24-89	P-115850	15-13	P-151592	34-61	P-153170	36-124
P-115313	19-31	P-115886	23-41B	P-151596	34-58	P-155667	15-18
P-115316	23-39	P-115919	16-131	P-151597	34-59	P-170820	28-47C
P-115338	15-9	P-115933	29A-53	P-151600	35-13	P-170821	28-48A
P-115347	24-95	P-115942	15-53	P-151620	35-15, 35-19	P-170830	28-24C
P-115358	23-20	P-115950	14-50	P-151660	35-33	P-170831	28-24A
P-115360	24-100	P-115955	4-78	P-151800	35-3, 35-4	P-170850	23-45
P-115361	29A-48	P-117163	13-1	P-151801	35-28	P-171170	36-92
P-115368	23-20C	P-117509	29-65, 31-39	P-151810	34-30	P-171190	36-93
P-115371	24-57C	P-117577	16-102	P-151910	36-81	P-200028	31-46
P-115394	28-38A	P-117938	15-54A	P-151911	36-78	P-200029	31-47
P-115402	24-57	P-150820	28-47B	P-151912	36-80	P-200226	33-76
P-115405	25-117, 29B-102	P-150821	28-48	P-151940	34-19, 35-30	P-200237	16-121, 33-85
P-115414	25-116, 29B-101	P-150850	23-45	P-151950	35-75	P-200253	33-64
P-115417	24-74	P-150990	35-56	P-152101	34-20, 35-73	P-200266	33-76E
P-115452	4-63	P-151010	35-58	P-152160	35-32	P-200267	33-75
P-115455	28-7	P-151020	35-60	P-152170	34-24	P-200269	33-63
P-115465	12-35	P-151040	35-64	P-152175	34-40	P-200296	27-95
P-115467	12-36	P-151041	35-64A	P-152176	34-40A	P-200304	27-123
P-115469	16-140	P-151060	35-58B	P-152198	34-22	P-200321	30-46
P-115476	16-125	P-151061	35-59	P-152199	34-22A	P-200374	26-65
P-115522	7-25	P-151062	35-61	P-152210	34-22B	P-200413	26-75A
P-115534	28-23	P-151063	35-58A	P-152213	34-14	P-200417	26-71
P-115542	28-39	P-151080	35-72	P-152214	35-50	P-200418	26-76A
P-115544	23-41	P-151090	35-57	P-152220	35-36	P-200476	16-125, 33-91A
P-115570	28-40	P-151140	35-9A	P-152230	34-22E	P-200480	30-83
P-115577	16-102	P-151160	35-7A	P-152231	34-22C	P-200486	30-89
P-115580	7-44	P-151180	35-7D	P-152240	35-35	P-200492	30-61
P-115581	16-105A, 17-63	P-151210	35-24	P-152260	35-37	P-200504	29A-64A, 30-80
P-115583	16-103A	P-151220	35-7B	P-152270	34-25	P-200577	16-102
P-115585	7-44	P-151240	35-5	P-152280	35-47	P-200583	16-103B
P-115588	7-32	P-151260	35-7E	P-152290	34-12	P-200600	33-69
P-115599	7-31	P-151320	35-51	P-152360	34-6	P-200681	30-37, 31-30A

INDEX

PART #	PAGE & KEY #	PART #	PAGE & KEY #	PART #	PAGE & KEY #	PART #	PAGE & KEY #
P-200693	31-30C	P-255124	3-6	P-255277	33-72B	P-255405	33-82
P-200699	26-81A	P-255139	14-5	P-255282	12-38	P-255413	26-75
P-200700	30-77, 31-1, 33-1	P-255144	3-4	P-255283	11-37	P-255417	26-71
P-200701	31-2	P-255145	13-29	P-255289	3-7	P-255418	26-76
P-200854	16-105B	P-255155	1-52	P-255290	21-42, 22-13	P-255423	33-4
P-200899	30-90	P-255156	1-53	P-255293	12-39	P-255424	26-26
P-210831	32-110	P-255157	8-46	P-255296	27-95	P-255425	10-12
P-210832	32-113	P-255158	1-54, 3-69, 3-74	P-255297	21-44	P-255427	10-19
P-215164	30-21	P-255159	8-47	P-255300	1-3	P-255429	33-5
P-215237	16-121	P-255161	8-17	P-255301	1-4	P-255433	31-9
P-215265	16-122, 33-20	P-255163	13-1	P-255304	27-123A	P-255435	21-20
P-215270	18-58	P-255167	8-16	P-255307	11-35, 26-27	P-255436	21-21, 27-125
P-215304	18-55	P-255174	12-1	P-255313	21-3	P-255438	26-2
P-215319	18-59	P-255178	21-46	P-255316	26-53	P-255439	15-19
P-215320	18-60	P-255181	11-2	P-255319	33-43	P-255446	30-53
P-215405	25-115	P-255184	11-3	P-255321	30-46	P-255448	30-60
P-215427	15-97D	P-255191	13-13	P-255322	26-29, 28-21B	P-255455	31-55
P-215665	18-72	P-255207	13-19	P-255323	21-23A	P-255457	15-25
P-215706	16-132	P-255209	10-8, 11-84	P-255324	33-59	P-255458	11-82
P-215709	18-63	P-255210	13-19A	P-255332	31-80, 33-53	P-255459	1-44
P-217440	23-51A	P-255211	12-40	P-255334	31-84, 33-51	P-255461	1-38
P-217706	16-132	P-255212	10-9, 11-85	P-255339	13-1A	P-255463	31-64
P-225051	26-44	P-255214	22-3	P-255340	26-36, 28-15A	P-255469	16-140
P-225322	31-82	P-255218	1-26	P-255341	21-13	P-255470	34-1
P-225518	31-66	P-255220	1-33	P-255344	26-31	P-255472	31-5
P-225863	33-84A	P-255221	1-27	P-255350	26-1	P-255473	9-13
P-255027	1-59, 2-8	P-255226	33-76	P-255352	1-30, 1-36, 1-42, 1-48	P-255476	16-125, 33-91A
P-255028	31-46	P-255227	30-3	P-255353	21-29	P-255477	12-3
P-255029	31-47	P-255229	33-76E	P-255356	1-50	P-255478	11-83
P-255030	31-74	P-255231	13-4	P-255357	21-50	P-255481	12-22, 23-34B
P-255051	26-44	P-255233	31-105	P-255359	21-31	P-255483	11-73, 12-43
P-255055	26-58	P-255237	16-121, 33-85	P-255361	33-62	P-255484	30-62
P-255059	8-79	P-255240	30-4	P-255363	26-63	P-255485	30-51
P-255062	18-8	P-255241	13-32	P-255367	21-12	P-255486	30-52
P-255063	18-4	P-255247	11-41	P-255369	27-98, 27-101	P-255487	33-12
P-255070	9-3	P-255248	33-75	P-255370	26-65	P-255490	30-63
P-255074	3-3A, 3-4A	P-255252	26-72, 33-48	P-255371	26-60	P-255491	33-16
P-255077	2-15	P-255254	33-64	P-255373	11-1, 12-1A	P-255492	30-61
P-255078	3-88	P-255255	30-32, 33-31	P-255375	17-1A	P-255493	33-17
P-255081	1-81	P-255256	22-19	P-255382	13-35A, 14-100	P-255494	31-20
P-255082	31-106	P-255257	26-82	P-255383	13-37	P-255495	30-54
P-255084	28-32B, 31-104	P-255258	22-20	P-255386	8-69	P-255496	31-25
P-255089	1-32	P-255259	30-1	P-255389	21-29A	P-255499	15-20
P-255093	3-16	P-255260	30-2	P-255390	22-8	P-255501	31-21, 31-26
P-255106	8-71	P-255262	26-62	P-255393	13-35	P-255503	15-23
P-255107	8-72	P-255265	16-122, 33-86	P-255394	31-79	P-255504	30-80
P-255113	8-75	P-255267	26-66, 33-75	P-255394	33-50	P-255506	27-130
P-255116	8-43	P-255268	26-69, 33-80	P-255400	12-2	P-255507	30-45
P-255117	3-9	P-255269	33-63	P-255401	27-112	P-255509	18-21
P-255119	3-3	P-255272	33-78	P-255402	26-59	P-255510	34-2
P-255122	9-4	P-255275	33-78	P-255405	27-99	P-255512	30-17

INDEX

PART #	PAGE & KEY #	PART #	PAGE & KEY #	PART #	PAGE & KEY #	PART #	PAGE & KEY #
P-255515	18-22	P-255700	30-77, 31-1, 33-1	P-255911	21-2	P-2552160	35-32
P-255516	31-63	P-255701	31-2	P-255916	18-1	P-2552220	35-36
P-255517	8-27	P-255705	16-133	P-255922	22-11	P-2552240	35-35
P-255518	32-111	P-255706	1-71, 2-8A	P-255932	2-3	P-2552670	35-2
P-255521	31-58	P-255710	14-20A	P-255960	3-41	P-2552850	35-1
P-255524	31-59	P-255712	1-39, 1-45	P-255972	13-1A	P-2553010	36-123
P-255528	31-60	P-255713	1-58	P-255976	22-2	P-2553170	36-124
P-255532	31-62	P-255716	1-72	P-255992	22-2	G-439	4-99
P-255534	31-48	P-255723	2-12	P-277697	21-1	G-4500	23-29A
P-255536	30-13	P-255724	21-17	P-277788	21-28	G-7088	17-27A, 23-15A, 24-77A
P-255537	30-14	P-255727	2-11	P-277910	21-2	G-7110	15-81
P-255539	30-18	P-255728	9-11	P-277911	21-2	G-7115	5-38
P-255540	26-28	P-255729	21-14	P-277976	22-2	G-7116	5-89
P-255544	26-9	P-255732	2-22, 2-98	P-277992	22-2	G-7122	5-39
P-255546	1-2, 2-2, 3-2, 8-2, 9-2, 10-1	P-255738	2-102	P-363110	36-127	G-8100	28-8A
P-255549	8-24	P-255739	21-23B	P-1151140	35-9	G-8110	29B-67A
P-255550	31-86	P-255742	2-20	P-1151159	35-7	G-8123	15-97C
P-255551	26-34, 31-88	P-255743	14-59A	P-1151511	34-51	G-9718	37-33A
P-255560	10-25	P-255746	22-6	P-1152170	34-33	G-9785	17-87A
P-255561	3-53, 9-22, 10-33	P-255755	21-32	P-1152212	34-9	G-11540	4-100,5-57
P-255563	30-26, 31-32, 33-25	P-255758	26-16	P-1152300	37-43	G-11541	4-101,5-58
P-255565	18-48	P-255759	16-155	P-1152410	37-10	G-11542	4-105,5-62
P-255566	29-54A, 31-61	P-255760	21-23	P-1152660	37-36	G-11543	4-106
P-255570	31-100	P-255764	1-64, 2-7	P-1152670	37-36A	G-11544	4-107
P-255572	31-87	P-255766	31-102	P-1152700	37-30, 37-40	G-11593	4-31
P-255577	16-102	P-255767	11-78	P-1152899	37-26	G-15011	29-57C
P-255579	10-24	P-255779	11-80	P-1152900	37-27	G-15019	25-114A
P-255580	30-27, 31-33, 33-26	P-255781	13-25, 14-101	P-2151200	36-99	G-15039	25-109D
P-255583	16-103C	P-255788	21-28	P-2151500	36-102	G-15048	6-65
P-255586	33-73	P-255789	31-103	P-2151640	36-103	G-15050	24-109A
P-255600	33-69	P-255793	21-19A	P-2550990	35-56	G-15067	6-72A
P-255601	33-69B	P-255800	9-28	P-2551060	35-58B	G-15108	5-22
P-255605	33-69A	P-255801	8-54	P-2551090	35-57	G-15111	6-43
P-255607	26-37	P-255802	3-66	P-2551159	35-7	G-15116	5-3
P-255614	30-21	P-255804	8-28	P-2551220	35-7B	G-15120	6-47
P-255615	16-98	P-255807	21-8	P-2551580	35-12	G-15127	5-26
P-255623	15-24	P-255808	1-29, 1-35, 1-41, 1-47,	P-2551600	35-13	G-15145	13-29
P-255625	1-28, 1-34, 1-40, 1-46	P-255811	3-72	P-2551650	36-121	G-15146	17-75A
P-255641	30-49, 31-95, 33-46	P-255820	31-3	P-2551660	35-33	G-15168	6-73A
P-255655	33-2	P-255821	31-4	P-2551710	36-118	G-15173	37-73
P-255669	22-22	P-255845	3-61	P-2551750	36-120	G-15181	11-2
P-255671	1-1, 2-1, 3-1, 8-1, 9-1, 10-2	P-255850	26-24	P-2551800	35-4	G-15184	11-3
P-255677	26-3	P-255854	16-105C	P-2551801	35-28	G-15185	37-74
P-255681	30-37, 31-30	P-255863	33-84	P-2551870	36-115	G-15191	13-13
P-255683	31-44, 33-36	P-255874	15-36	P-2551911	36-105	G-15203	13-6
P-255688	26-85, 33-72E	P-255880	3-79	P-2551914	36-108	G-15211	12-40
P-255690	31-78, 33-49	P-255886	26-10	P-2551920	36-122	G-15212	11-85
P-255691	32-114	P-255894	26-90	P-2551940	35-30	G-15214	20-48
P-255692	26-80	P-255905	33-58	P-2551960	36-113	G-15231	13-4
P-255697	21-1	P-255907	33-60	P-2551970	36-110	G-15241	13-32
P-255699	26-81	P-255910	21-2	P-2551971	36-111	G-15252	24-64A

INDEX

PART #	PAGE & KEY #	PART #	PAGE & KEY #	PART #	PAGE & KEY #	PART #	PAGE & KEY #
G-15258	29-87	G-15691	29-80	G-117577	17-59E	G-313360	24-100A
G-15260	29-88	G-15693	29-73A	G-131039	25-109F	G-313378	25-112B
G-15261	29-89	G-15700	29A-1	G-150821	28-48B	G-313394	28-13A
G-15268	24-60A	G-15701	29A-30B	G-150850	23-45	G-313430	23-28B
G-15269	29B-74A	G-15712	6-51	G-151160	35-7A	G-313449	29-72A
G-15290	20-42	G-15723	4-48	G-151220	35-7C	G-313472	29-55B
G-15295	24-102A	G-15727	4-44	G-151555	5-47	G-313534	28-23B
G-15319	29A-36	G-15750	24-84A	G-151580	35-12	G-313540	23-28E
G-15321	29A-37	G-15764	6-57	G-151600	35-13A	G-313544	23-41A
G-15326	12-5	G-15767	11-78	G-151800	35-4A	G-313574	17-59F
G-15327	25-146	G-15777	4-97, 5-45	G-151801	35-28A	G-313577	17-59G
G-15329	25-141	G-15779	4-98, 11-80	G-151911	36-78A	G-313583	16-103, 17-60A
G-15335	25-139	G-15781	13-25	G-152220	35-35	G-313789	28-29B
G-15339	13-1A	G-15797	20-37	G-152670	35-2A	G-313820	28-47F
G-15344	23-28K	G-15808	4-33	G-152850	35-1A	G-313821	28-44K
G-15346	25-140	G-15852	4-17, 5-12	G-152890	37-1A	G-313830	28-24D
G-15350	23-1A	G-15865	17-63B	G-152910	37-2A	G-313830-R	28-24E
G-15363	24-59A	G-15884	15-79	G-170821	28-48C	G-313850	23-45
G-15368	25-142	G-15916	17-11A	G-213316	23-39B	G-313886	23-41C
G-15373	11-1, 12-1A	G-15922	20-54	G-213371	24-57E		
G-15378	25-112A	G-15931	4-90	G-213402	24-57B		
G-15382	13-35A, 14-100	G-15967	4-69	G-213821	28-48D		
G-15384	5-94	G-15971	37-66	G-255800	9-28A, 17-30A		
G-15385	20-51	G-15972	13-1A	G-255874	15-36		
G-15399	13-47A	G-15974	4-76	G-311020	28-44C		
G-15417	24-74A	G-15978	13-16	G-311022	28-44D		
G-15418	24-54A	G-15985	25-145	G-311820	28-47D		
G-15430	23-28A	G-15986	15-59A	G-311821	28-44E		
G-15438	23-18A	G-15997	25-147	G-311830	28-24B		
G-15439	15-19	G-17011	29-57D	G-311830-R	28-24F		
G-15449	29-72	G-17039	25-109E	G-312020	28-44F		
G-15453	24-79A	G-17055	24-69A	G-312022	28-44G		
G-15455	28-7B	G-17355	23-23B	G-312820	28-47E		
G-15456	16-125	G-17319	29A-36	G-312821	28-44H		
G-15460	29-77	G-17321	29A-37	G-313012	29-57E		
G-15472	29-55A	G-17704	14-72	G-313020	28-44I		
G-15481	12-22	G-17768	14-40	G-313022	28-44J		
G-15483	11-73, 12-43	G-17834	144-62	G-313028	28-22D		
G-15484	24-104A	G-21030	28-36C	G-313040	25-110A		
G-15486	29A-66A	G-115110	34-44A	G-313055	24-69B		
G-15490	29A-58A	G-115316	23-39A	G-313082	28-34B		
G-15492	29A-56A	G-115344	23-28H	G-313146	17-75B		
G-15496	29A-20B	G-115371	24-57D	G-313207	13-19		
G-15499	15-20	G-115402	24-57A	G-313233	28-33B		
G-15514	28-26A	G-115574	17-59B	G-313316	23-39C		
G-15540	23-28D	G-115577	17-59C	G-313319	29A-36		
G-15567	6-32	G-115583	16-103, 17-60	G-313321	29A-37		
G-15615	16-98	G-115615	16-98	G-313322	28-21C		
G-15641	28-37A	G-115728	7-42	G-313327	25-146A		
G-15681	29-80A	G-115738	24-82A	G-313329	25-141A		
G-15683	29-73	G-117574	17-59D	G-313332	28-13C		